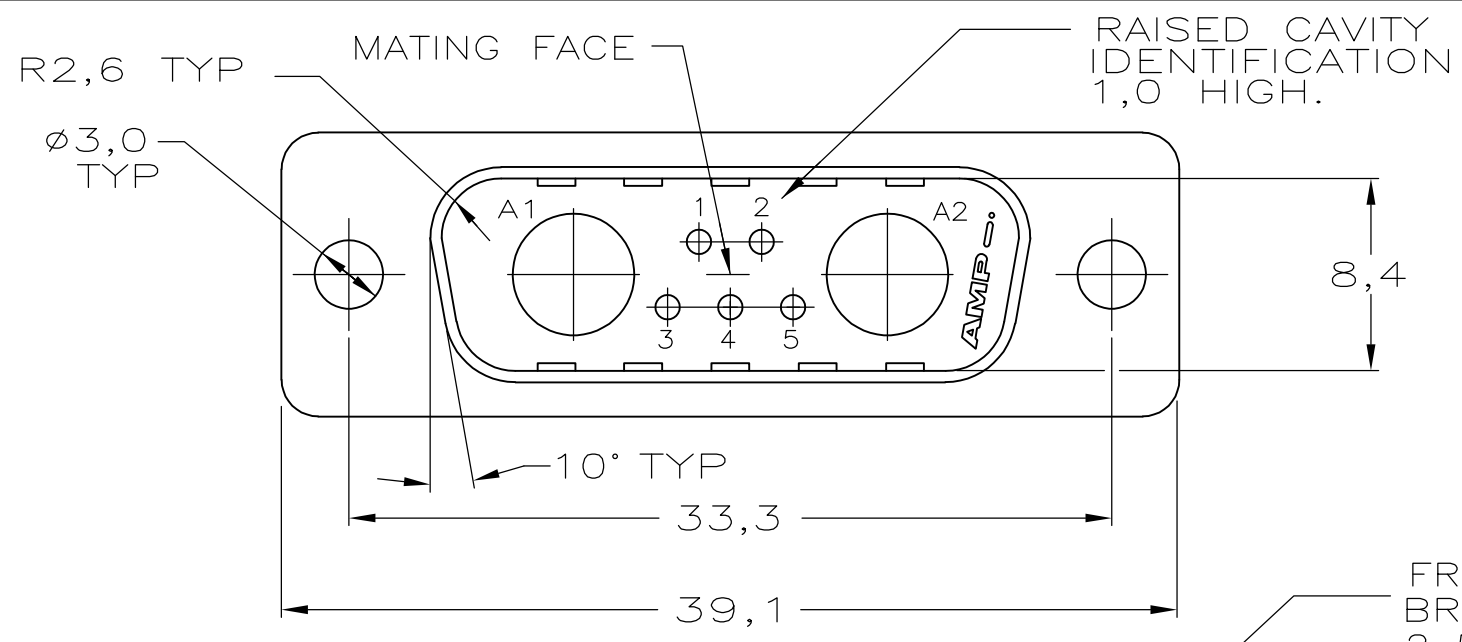


THIS DRAWING IS UNPUBLISHED. RELEASED FOR PUBLICATION
 © COPYRIGHT - By - ALL RIGHTS RESERVED.

LOC	DIST	REVISIONS					
GP	00	P	LTR	DESCRIPTION	DATE	DWN	APVD
		D		REVISED PER ECO-16-000387	04FEB2016	AP	DG

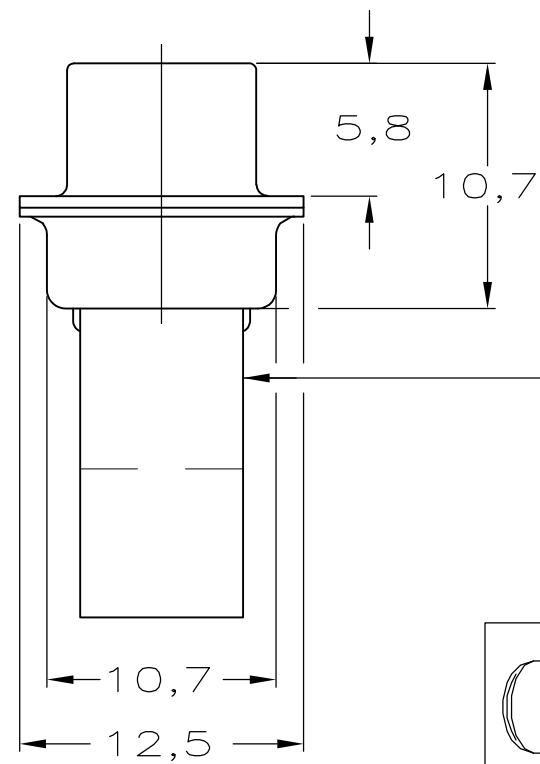
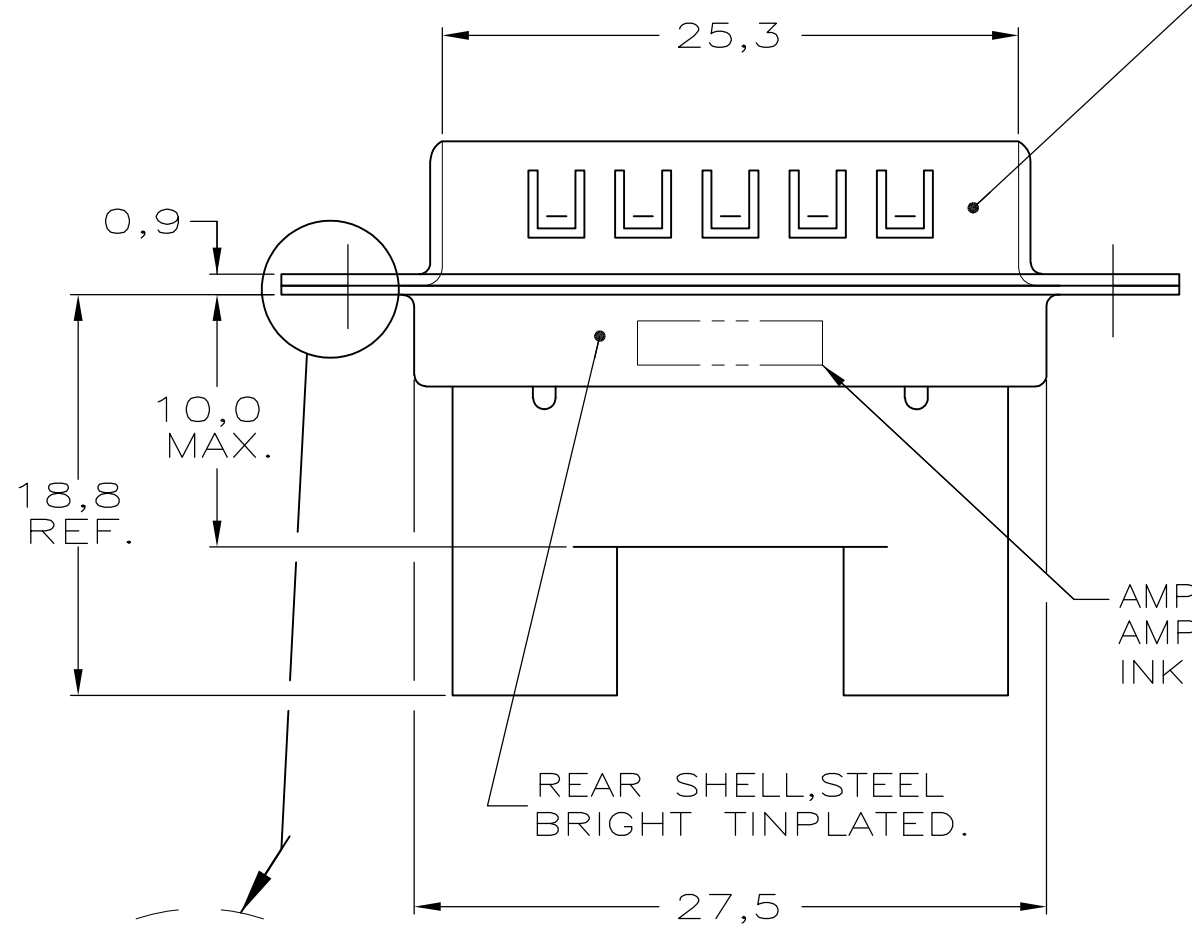


- THIS PLUG ACCEPT SIZE 20 SIGNAL PIN-CONTACTS AND SIZE 8 POWER/COAX PIN-CONTACTS.
- FOLLOWING INSERTION/REMOVAL TOOLS ARE RECOMMENDED FOR USE WITH THESE CONNECTORS,
 SIGNAL CONTACTS:

32-28AWG/28-24AWG CONT's	24-20AWG CONTACTS
91067-3 INSERTION/REMOVAL	91067-2 INSERTION/REMOVAL
726363-1 INSERTION ONLY	726363-1 INSERTION ONLY
	726364-1 REMOVAL ONLY

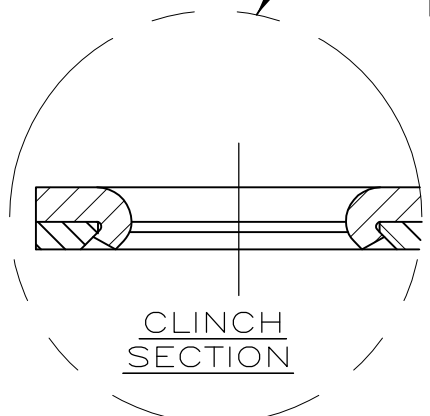
 POWER/COAX CONTACTS : 58095-1 REMOVAL ONLY

FRONT SHELL STEEL,
 BRIGHT TINPLATED WITH
 2x5 GROUNDINGFINGERS ON 3,8 PITCH;



INSERTS NYLON
 GLASS-FILLED
 SELF-EXTINGUISHING
 COLOR: BLACK

OBSOLETE



THIS DRAWING IS A CONTROLLED DOCUMENT.		DWN	11SEP1989	TE Connectivity HDP-20 PLUG CONNECTOR, 7C2 , MIXED ,HIGH PROFILE			
DIMENSIONS: mm		CHK	11SEP1989				
TOLERANCES UNLESS OTHERWISE SPECIFIED:		APVD	11SEP1989				
0 PLC ± - 1 PLC ± - 2 PLC ± - 3 PLC ± - 4 PLC ± - ANGLES ± -		PRODUCT SPEC	-				
MATERIAL	FINISH	NAME	-	SIZE	CAGE CODE	DRAWING NO	RESTRICTED TO
-	-	L. v. d. HEYDEN	-	A3	00779	C-216595	-
CUSTOMER DRAWING				SCALE	NTS	SHEET	1 OF 1
				REV	D		

单击下面可查看定价，库存，交付和生命周期等信息

[>>TE Connectivity\(泰科\)](#)