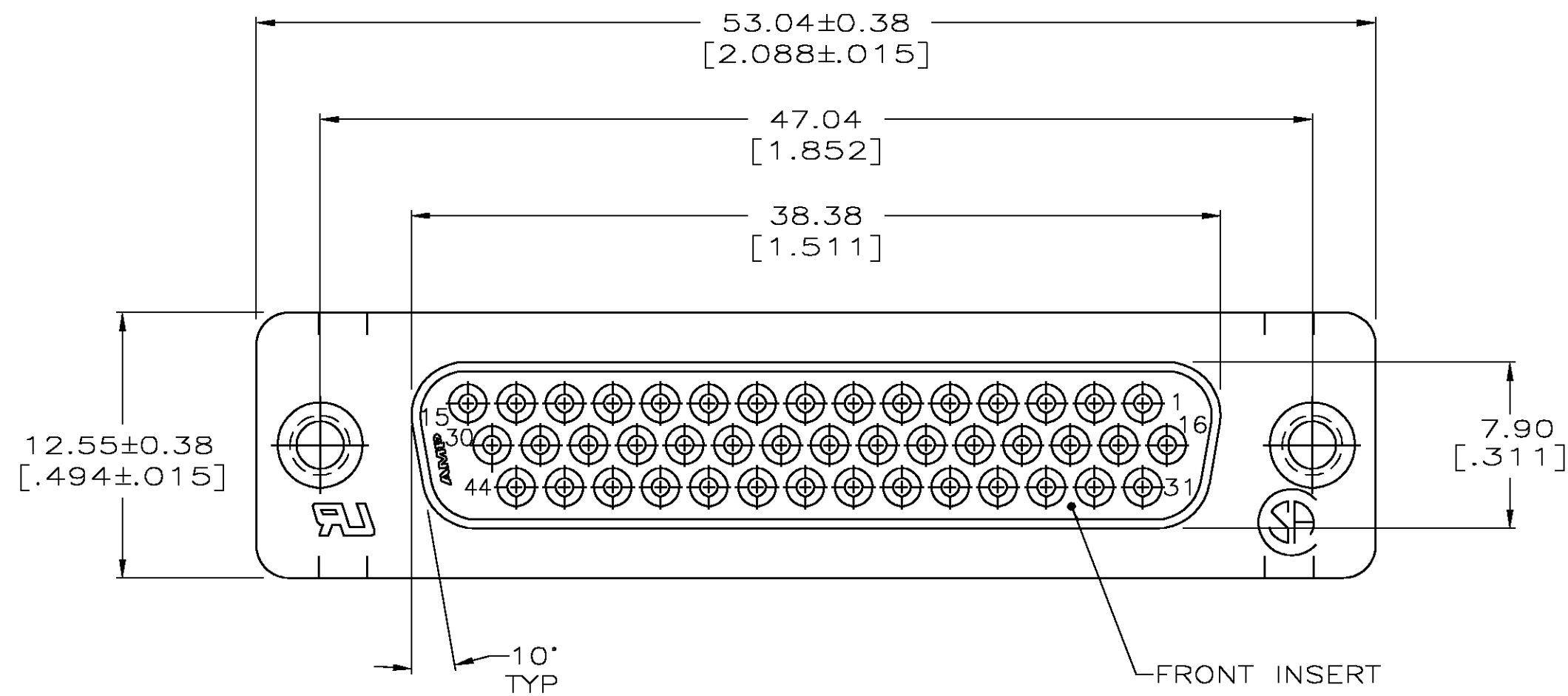
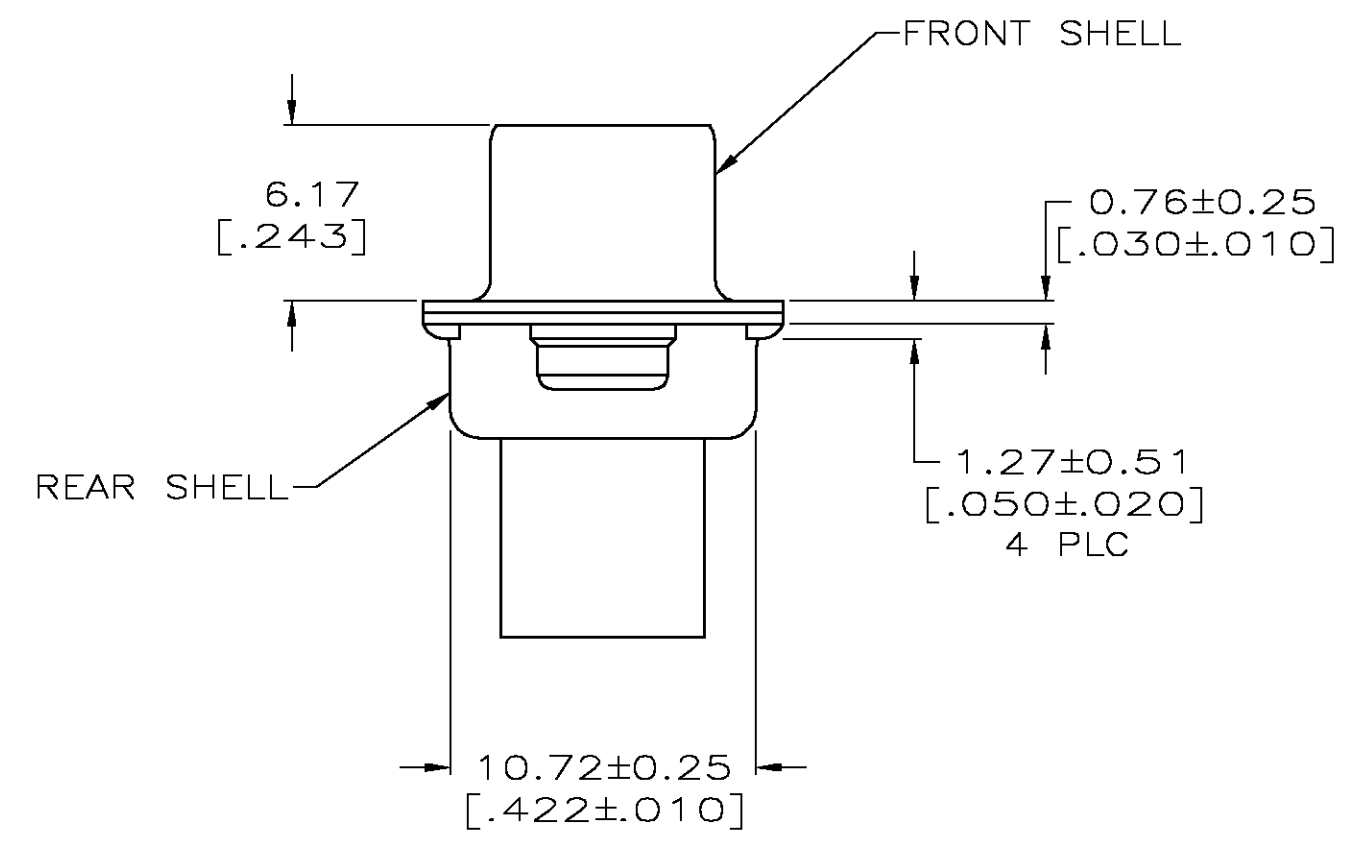
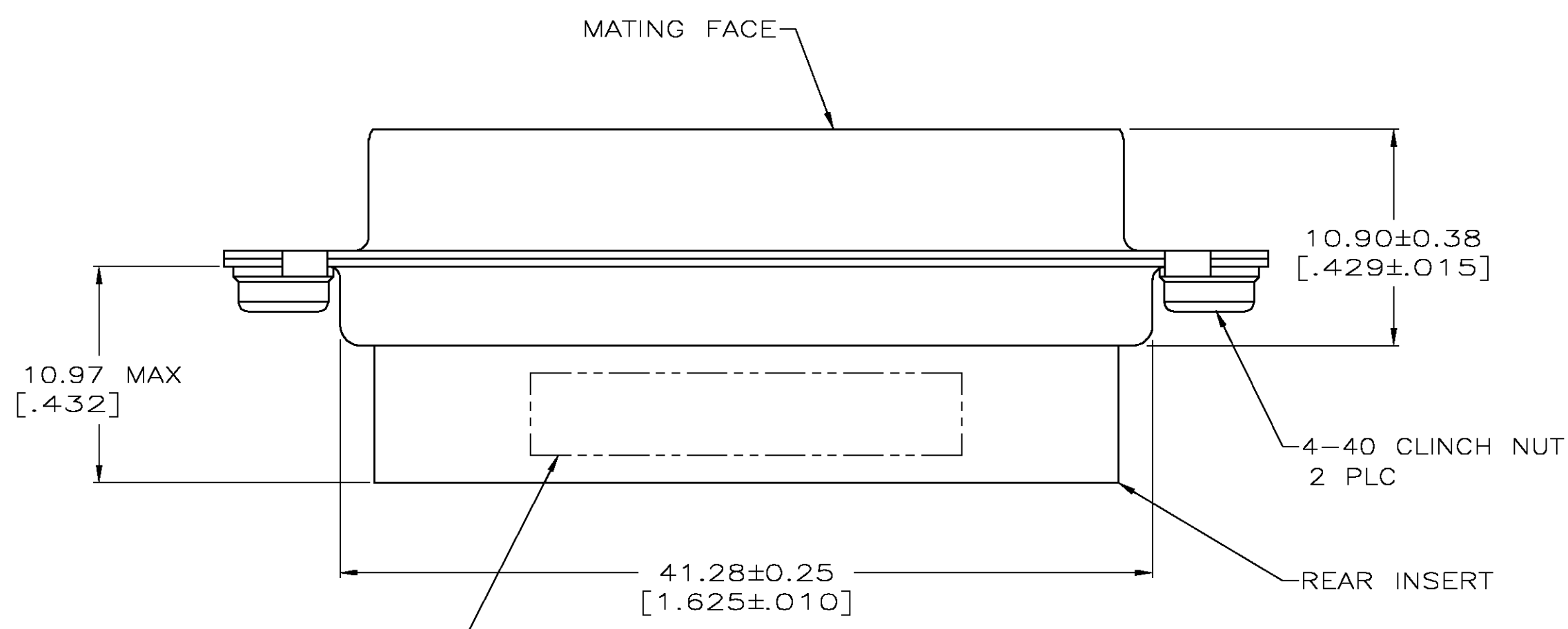


THIS DRAWING IS UNPUBLISHED. RELEASED FOR PUBLICATION  
 © COPYRIGHT BY TYCO ELECTRONICS CORPORATION. ALL RIGHTS RESERVED.

LOC	DIST	REVISIONS			
P	LTR	DESCRIPTION	DATE	DWN	APVD
GP	00	0	RELEASED PER EC 0513-0257-04	11-11-04	GA JG



- CONNECTOR ACCEPTS SIZE 22 DF SOCKET CONTACTS, RETENTION TINES ARE AN INTEGRAL PART OF INSERT.
- INSERTS: NYLON, BLACK, UL 94V-0 RATED.
- SHELLS & CLINCH NUTS: CARBON STEEL PER ASTM A109.
- SHELLS: 5.08 μm [.000200] MIN TIN OVER 2.54 μm [.000100] MIN COPPER.
- CLINCH NUTS: ZINC PLATED PER ASTM B633, TYPE II, CLASS SCI, CLEAR CHROMATE.



MANUFACTURERS LOGO, PART NO AND DATE CODE MARKED IN AREA INDICATED, ON FAR SIDE.

5786583  
 5786583-1  
 PART NO

THIS DRAWING IS A CONTROLLED DOCUMENT.		DWN G. ATTADIA - DOCK5 11-11-04	Tyco Electronics Corporation Harrisburg, PA 17105-3608	
DIMENSIONS: mm [INCHES]		CHK J. GERACE 11-11-04	RECEPTACLE ASSY, SIZE 3, 44 POSITION, HDP-22 AMPLIMITE	
TOLERANCES UNLESS OTHERWISE SPECIFIED:		APVD M. WALMSLEY 11-11-04	NAME	
0 PLC ± -	1 PLC ± -	PRODUCT SPEC 108-1268	SIZE CAGE CODE DRAWING NO	
2 PLC ± 0.13±.005	3 PLC ± -	APPLICATION SPEC 114-10001	RESTRICTED TO	
4 PLC ± - ± 2'	ANGLES ± - ± 2'	WEIGHT -	A2 00779 C-5786583	
MATERIAL 2 3		FINISH 4 5	CUSTOMER DRAWING SCALE 4:1 SHEET 1 OF 1 REV 0	

单击下面可查看定价，库存，交付和生命周期等信息

[>>TE Connectivity\(泰科\)](#)