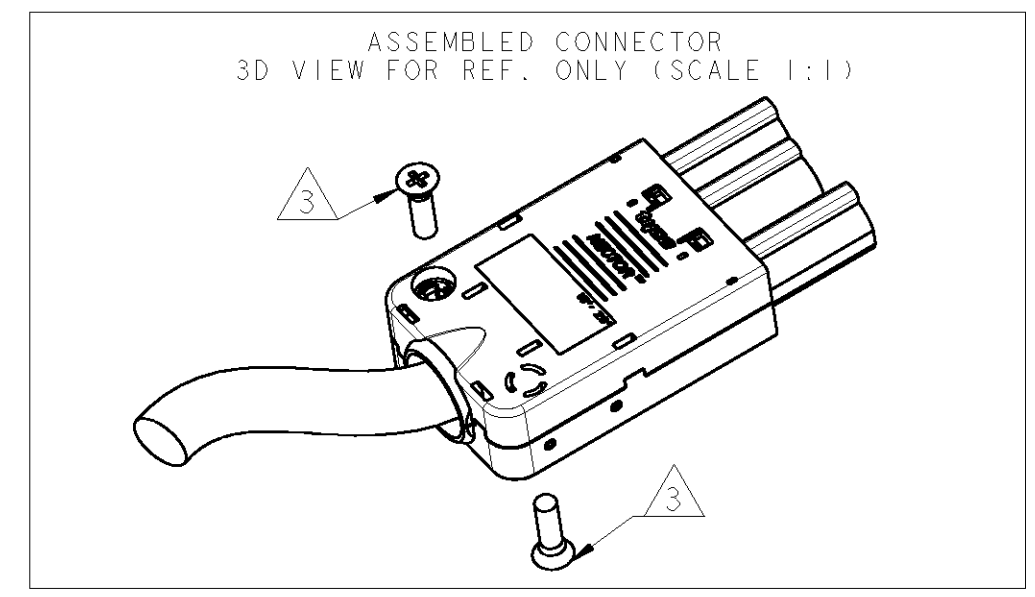
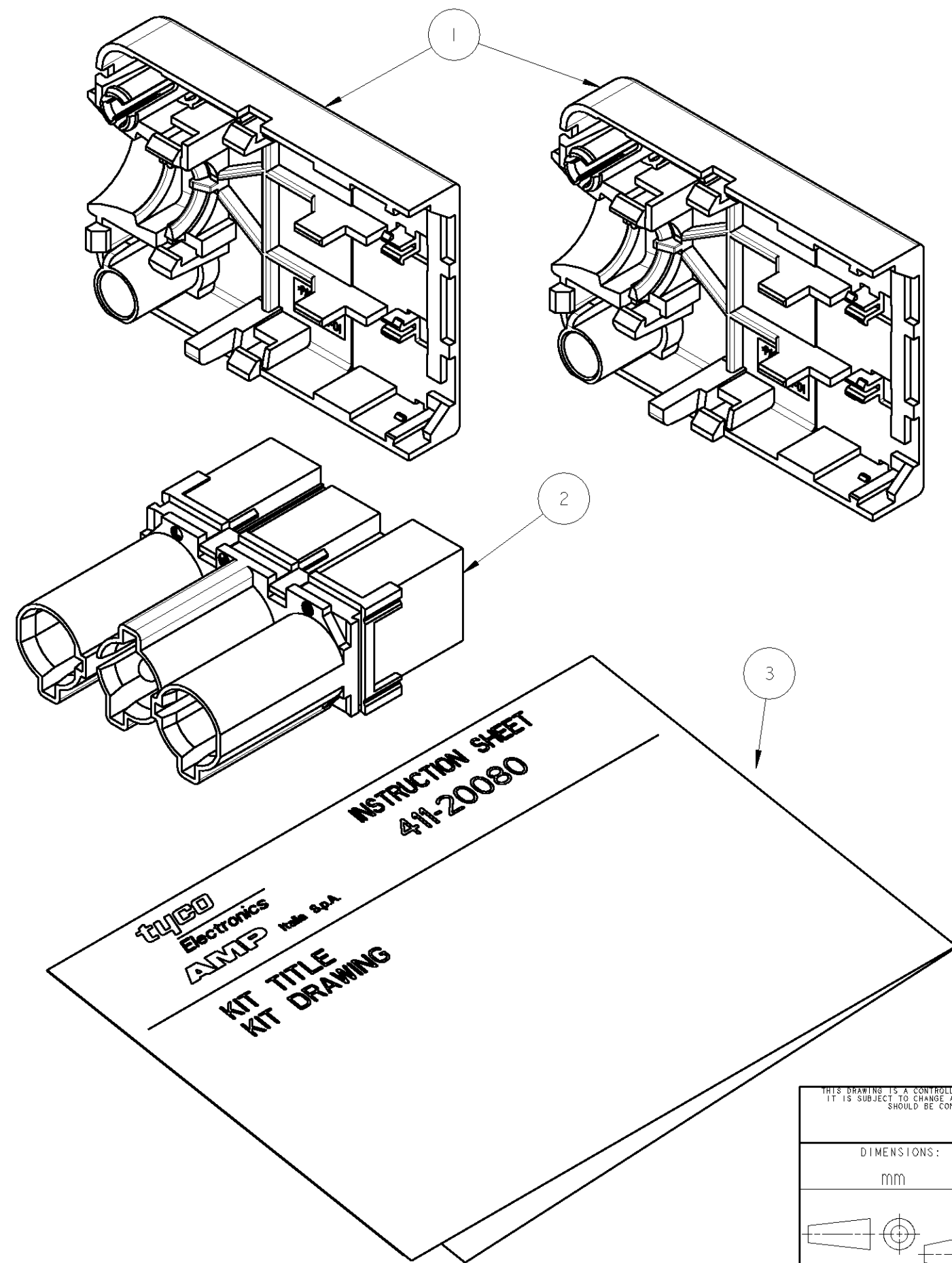


THIS DRAWING IS UNPUBLISHED. RELEASED FOR PUBLICATION 2006  
 © COPYRIGHT 2006 BY TYCO ELECTRONICS CORPORATION. ALL RIGHTS RESERVED.

LOC	DIST	REVISIONS				
P	LTR	DESCRIPTION	DATE	DWN	APVD	
-	-	0	FIRST ISSUE	03FEB2006	UA	GT



- NOTES:
- 1) PACKAGING ACCORDING TO TYCO SPECIFICATION 107-20255
  - 2) INSTRUCTION-SHEET 411-20080 SHOWS ASS'Y OPERATION FOR END USER
  - 3) OPTIONAL SCREWS M3 x 12 - NOT INCLUDED INTO THE KIT - (SCREWS ACCORDING TO: "UNI 9709" OR "UNI 9707" OR "UNI 10228" OR "UNI 10227")

Q.TA	PER ASSEMBLATO	DESCRIPTION	ITEM
1	1	2 TYCO INSTRUCTION SHEET	3
1	-	TYCO NECTOR* 3 POS. RECPT. CONN. SPRING CLAMP TERM. (WHITE VERSION)	2
-	1	TYCO NECTOR* 3 POS. RECPT. CONN. SPRING CLAMP TERM. (BLACK VERSION)	2
2	-	TYCO NECTOR* HERMAPHRODITE HALF SHELL FOR 3 POS. CONN.S. (WHITE VERSION)	1
-	2	TYCO NECTOR* HERMAPHRODITE HALF SHELL FOR 3 POS. CONN.S. (BLACK VERSION)	1
-2	-1	DESCRIPTION	ITEM
0	0	REVISION OF EACH ASS'Y N.	
PART LIST			

THIS DRAWING IS A CONTROLLED DOCUMENT FOR TYCO ELECTRONICS CORPORATION IT IS SUBJECT TO CHANGE AND THE CONTROLLING ENGINEERING ORGANIZATION SHOULD BE CONTACTED FOR THE LATEST REVISION.		DWN U.A.I.M.E 03FEB2006 CHK U.A.I.M.E 03FEB2006 APVD G.TURCO 03FEB2006	<b>tyco</b> <b>Electronics</b> AMP Italia S.p.A. C.so F.lli Cervi 15 Collegno (TO)
DIMENSIONS: mm	TOLERANCES UNLESS OTHERWISE SPECIFIED: 0 PLC ± 1 PLC ± 2 PLC ± 3 PLC ± 4 PLC ± ANGLES ±	PRODUCT SPEC APPLICATION SPEC WEIGHT -	NAME TYCO NECTOR* 3 POS. RECPT CONN. SPRING CLAMP TERM. KIT FOR HERMAPHR. SHELL
MATERIAL	FINISH -	CUSTOMER DRAWING	SIZE A3 CAGE CODE 00779 DRAWING NO C-293100 RESTRICTED TO - SCALE 2:1 SHEET 1 OF 1 REV 0

单击下面可查看定价，库存，交付和生命周期等信息

[>>TE Connectivity\(泰科\)](#)