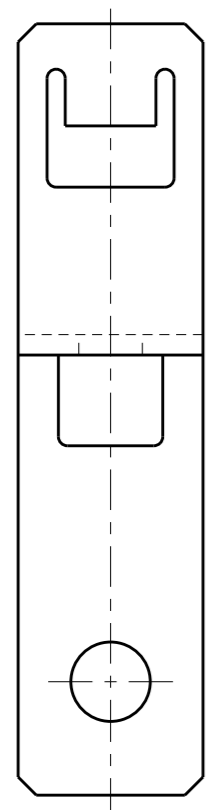
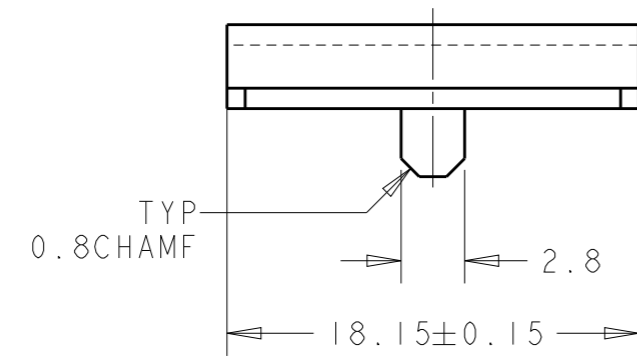
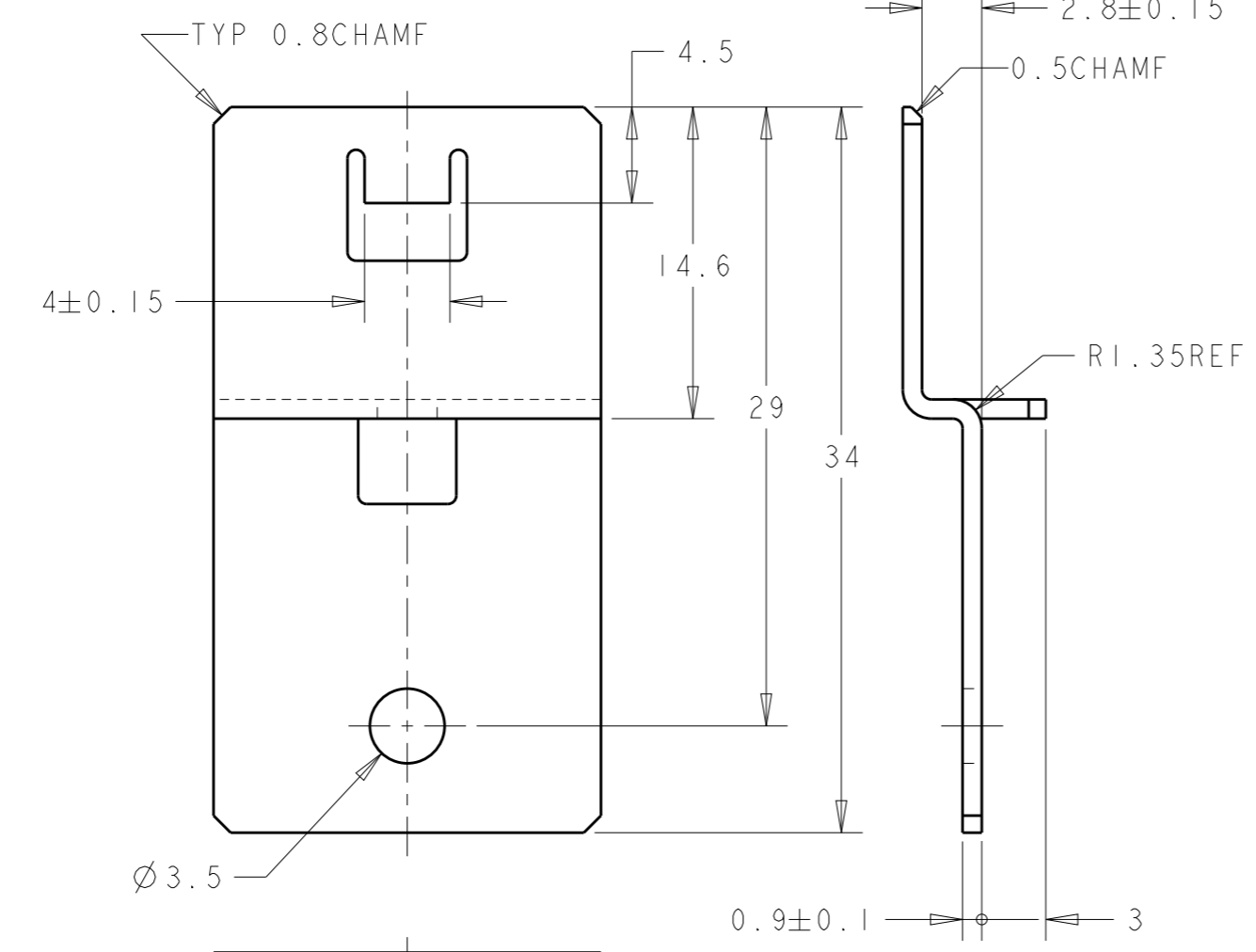


THIS DRAWING IS UNPUBLISHED. RELEASED FOR PUBLICATION 20
 © COPYRIGHT 20 BY - ALL RIGHTS RESERVED.

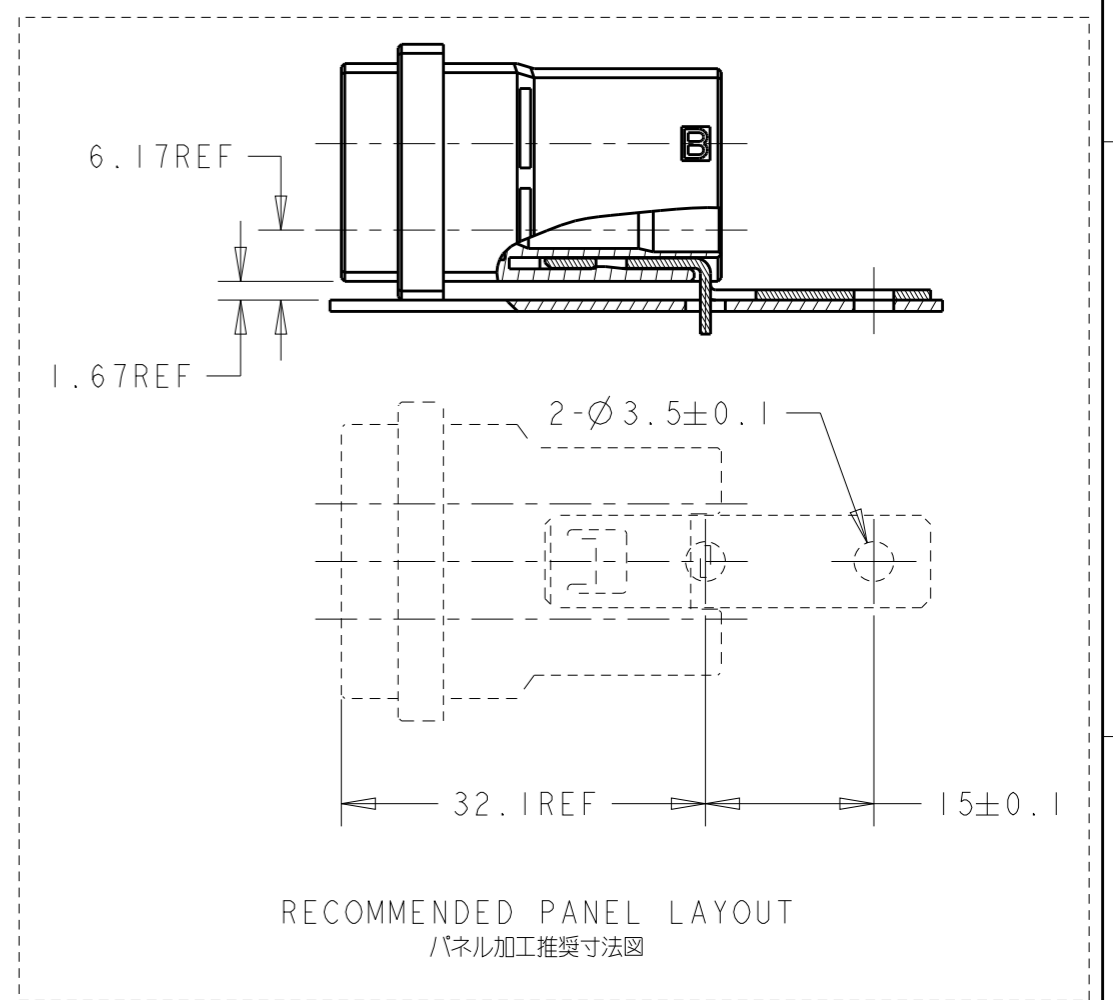
REVISIONS					
P	LTR	DESCRIPTION	ECN	DATE	APVD
	B	REVISED	ECR-15-007169	30OCT2015	K.K E.T



8.15±0.15
 900121-2
 (A1)5900121-2
 SMALL



900121-4
 (A1)5900121-4
 LARGE



LARGE	③	① STEEL	t=0.9	5900121-4	(A1)
SMALL	③	① STEEL	t=0.9	5900121-2	(A1)
LARGE	②	① STEEL	t=0.9	900121-4	
SMALL	②	① STEEL	t=0.9	900121-2	
NAME	FINISH	MATERIAL	PART NO.		

OBSOLETE

- ① MATERIAL : CARBON STEEL, THICKNESS=0.9±0.1mm
- ② FINISH : CHROMATE (Zn PLATE)
- ③ FINISH : AFTER Cu GROUND PLATING 2.5µmMIN OF ALL ASPECTS, Ni PLATE 2.5µmMIN
- ① 材料 : スチール 板厚=0.9±0.1mm
- ② 仕上 : クロメート(亜鉛めっき)処理
- ③ 仕上 : 全面銅下地めっき2.5µm以上の上に, Niめっき2.5µm以上を施す

THIS DRAWING IS A CONTROLLED DOCUMENT.

DWN M. MAEBASHI 05DEC2005
 CHK T. SAKAMOTO 06JAN2006
 APVD D. MITSUGI 10JAN2006

STE TE Connectivity

NAME: L METAL HOOK FOR DYNAMIC FREE HANGING (D-3)

SIZE	CAGE CODE	DRAWING NO	RESTRICTED TO
A3	00779	C-900121	-

Customer Drawing SCALE 3:1 SHEET 1 OF 1 REV B

单击下面可查看定价，库存，交付和生命周期等信息

[>>TE Connectivity\(泰科\)](#)