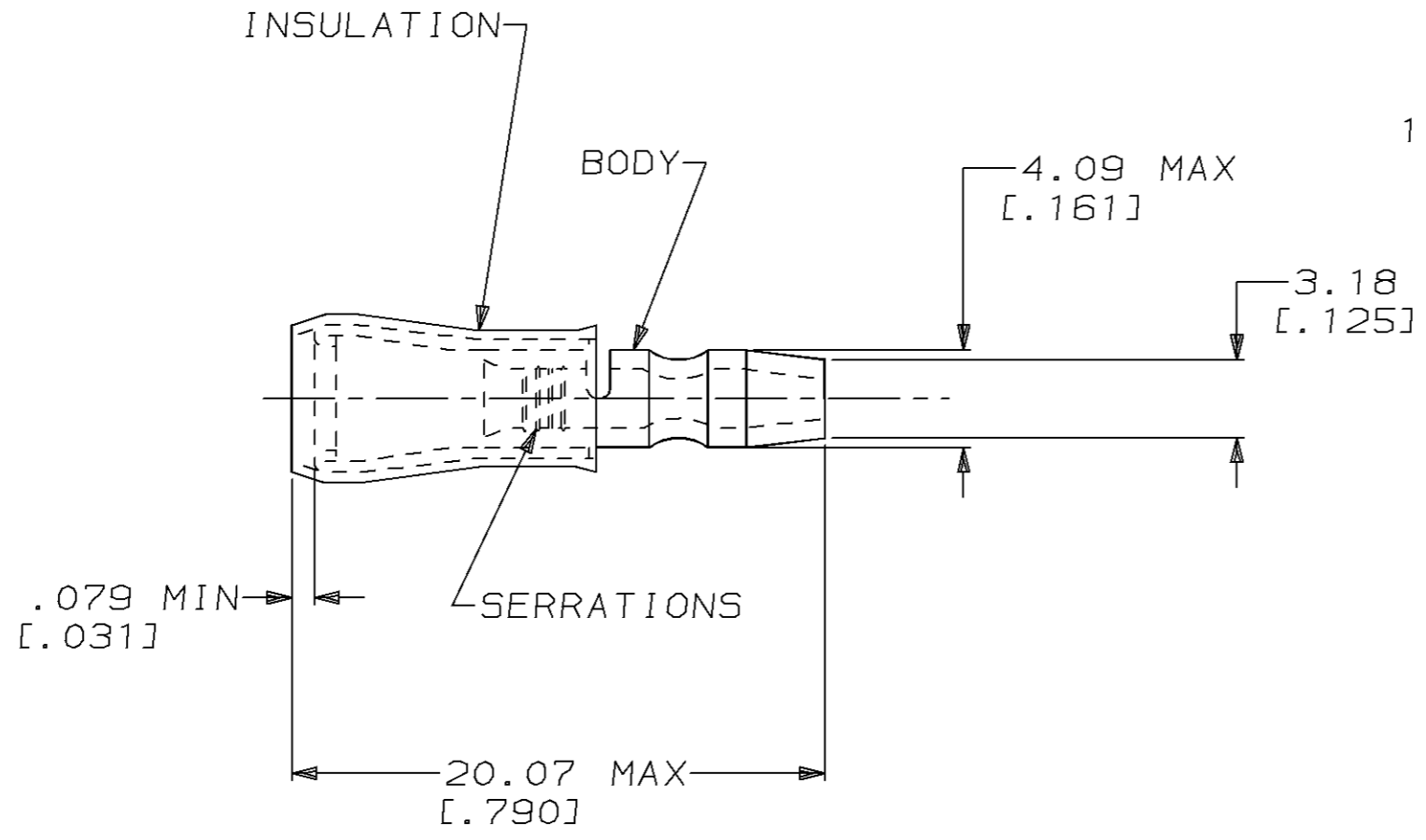


THIS DRAWING IS UNPUBLISHED. RELEASED FOR PUBLICATION ,19 .  
 © COPYRIGHT 19 BY AMP INCORPORATED. ALL RIGHTS RESERVED.

LOC	DIST	REVISIONS			
P	LTR	DESCRIPTION	DATE	DWN	APVD
G	14	H	REV & REDRAW / 0720-0777-95	28SEP95	ME NB

**AMP**  
 WIRE RANGE  
 16-14 AWG  
 SOLID OR STRANDED

1. WIRE INSUL DIA, 2.92-4.32 [.115-.170]



QTY	PACKAGE TYPE	PART NO
---	-----	-----
100	LOOSE PIECE, BOX SPL	8-324225-5
100	LOOSE PIECE, BOX	8-324225-1
2500	ON TAPE, REEL	2-324225-1
1000	LOOSE PIECE	324225

**AMP INCORPORATED**  
 CUSTOMER SERVICE SYSTEM

FOR ADDITIONAL PRODUCT INFORMATION OR COPIES OF DRAWINGS AND TECHNICAL DOCUMENTS	PRODUCT INFORMATION CENTER 1-800-522-6752
FOR APPLICATION TOOLING INFORMATION	TOOLING ASSISTANCE CENTER 1-800-722-1111
FOR ORDER ENTRY	1-800-526-5142

MAX RECOMMENDED OPERATING TEMPERATURE:  
 105°C [221°F]

VOLTAGE RATING:  
 300 V MAX

CIRCULAR MIL AREA:  
 1.04mm<sup>2</sup>-2.62mm<sup>2</sup> [2050-5180]

SOLID OR STRANDED

THIS DRAWING IS A CONTROLLED DOCUMENT FOR AMP INCORPORATED. IT IS SUBJECT TO CHANGE AND THE CONTROLLING ENGINEERING ORGANIZATION SHOULD BE CONTACTED FOR THE LATEST REVISION.

DIMENSIONS:	TOLERANCES UNLESS OTHERWISE SPECIFIED:
mm [in]	
	0 PLC ±-
	1 PLC ±-
	2 PLC ±0.13 [.005]
	3 PLC ±-
	4 PLC ±-
ANGLES ±-	

MATERIAL: BODY, SLV, COPPER PER ASTM B 152; INSUL, NYLON, COLOR, BLUE

FINISH: BODY & SLV, TIN PLATE PER MIL-T-10727

DWN	M ELLIS	28SEP95	 AMP Incorporated Harrisburg, PA 17105-3608
CHK	C PRESNELL	28SEP95	
APVD	N BIRCH	28SEP95	
PRODUCT SPEC			
APPLICATION SPEC			NAME TERMINAL, SHUR PLUG, PIDG™, WIRE SIZE, 16-14 AWG
WEIGHT	-		SIZE A3
			CAGE CODE 00779
			DRAWING NO C-324225
CUSTOMER DRAWING			SCALE 4:1 SHEET 1 OF 1 REV H

单击下面可查看定价，库存，交付和生命周期等信息

[>>TE Connectivity\(泰科\)](#)