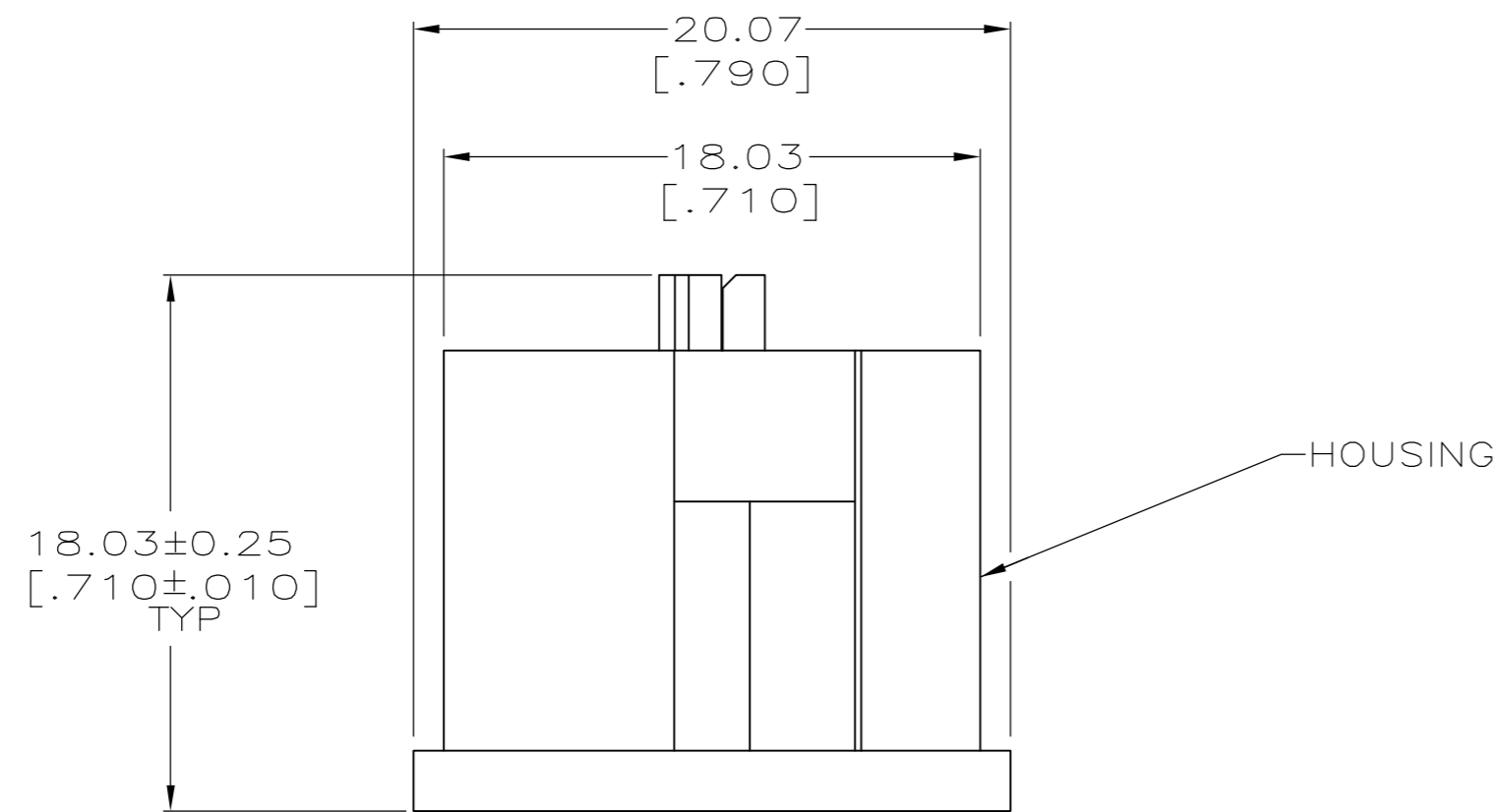
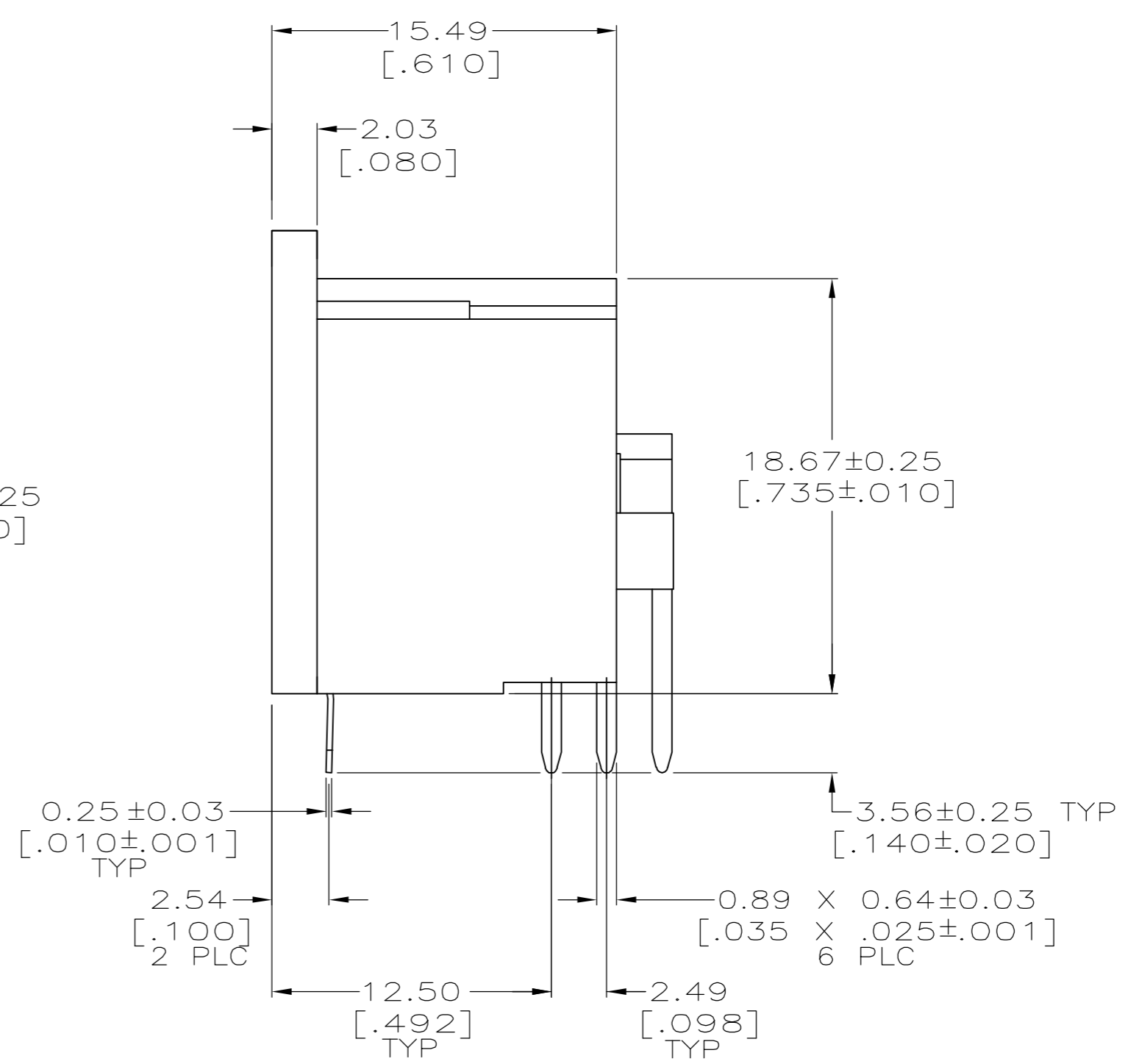
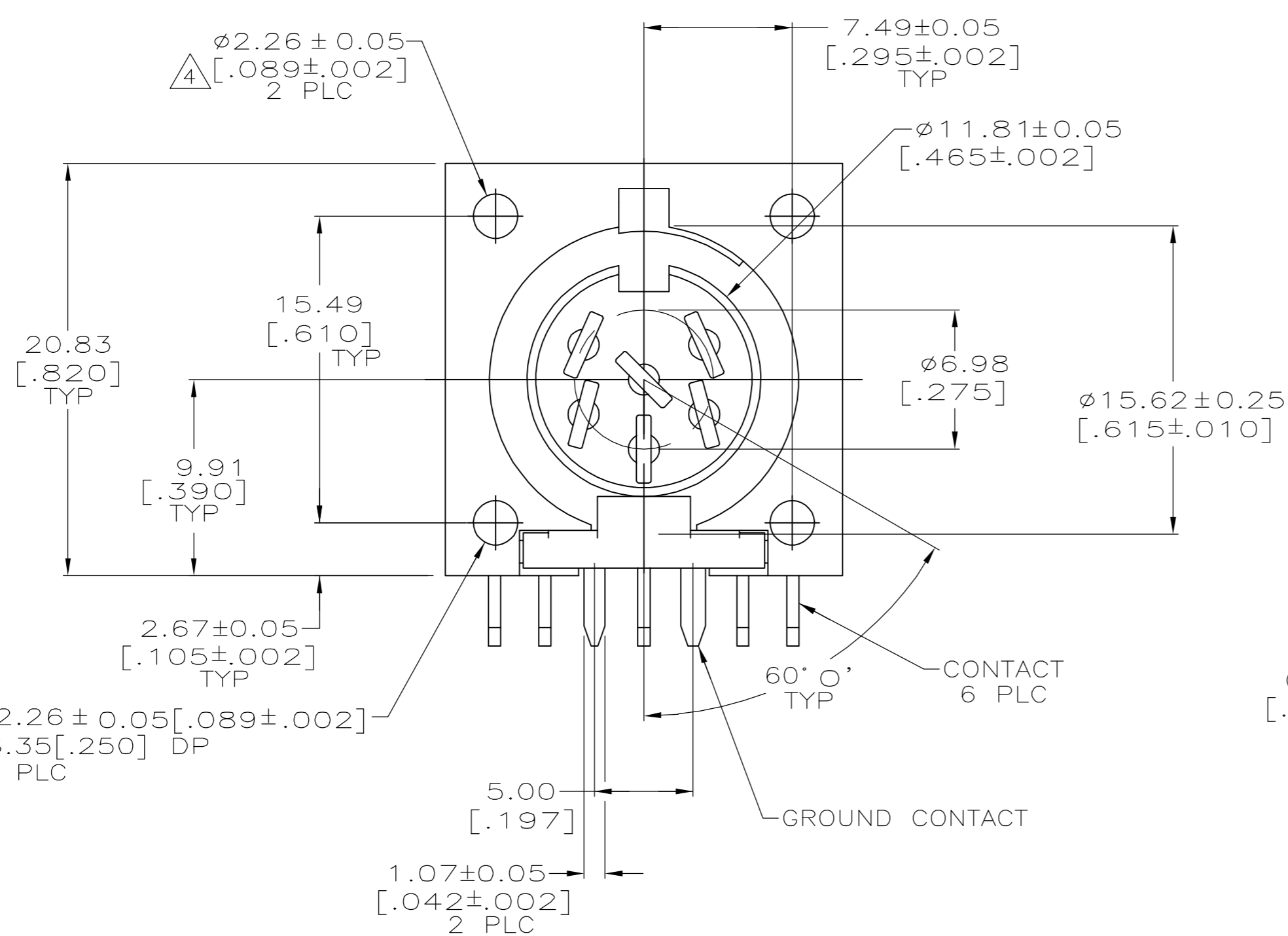


THIS DRAWING IS UNPUBLISHED. RELEASED FOR PUBLICATION
 © COPYRIGHT BY TYCO ELECTRONICS CORPORATION. ALL RIGHTS RESERVED.

LOC		DIST		REVISIONS			
P	LTR	DESCRIPTION	DATE	DWN	APVD		
GP	00						
	01	REVISED PER ECO-07-008008	10APR07	JDP	CWR		



- ① HOUSING: NYLON, UL 94V-0 RATED, BLACK.
- ② CONTACTS & GROUND CONTACT: 2.54μm [.000100] MIN TIN OVER 1.27μm [.000050] MIN NICKEL.
- ③ ACCEPTS #2 SELF-TAPPING SCREW, 6.35[.250] LONG REF.
- ④ CONTACTS & GROUND CONTACT: BRASS.



5786290-1
 PART NO

THIS DRAWING IS A CONTROLLED DOCUMENT.		DWN L. VARELA - DOCK5 11-12-04	Tyco Electronics Corporation Harrisburg, PA 17105-3608	
DIMENSIONS: mm [INCHES]		CHK C. ROHDE 11-12-04		
TOLERANCES UNLESS OTHERWISE SPECIFIED:		APVD M. WALMSLEY 11-12-04	NAME RECEPTACLE ASSY, RIGHT ANGLE, 6 POSITION, CIRCULAR DIN	
0 PLC ± -		PRODUCT SPEC 108-10047	SIZE A2	
1 PLC ± -		APPLICATION SPEC 114-40025	CAGE CODE 00779	DRAWING NO C=5786290
2 PLC ± 0.13[.005]			RESTRICTED TO -	
3 PLC ± -			SCALE 4:1	SHEET 1 of 1
4 PLC ± -			REV 01	
ANGLES ± 0' 30'				
FINISH				
MATERIAL ① ④		WEIGHT -	CUSTOMER DRAWING	

单击下面可查看定价，库存，交付和生命周期等信息

[>>TE Connectivity\(泰科\)](#)