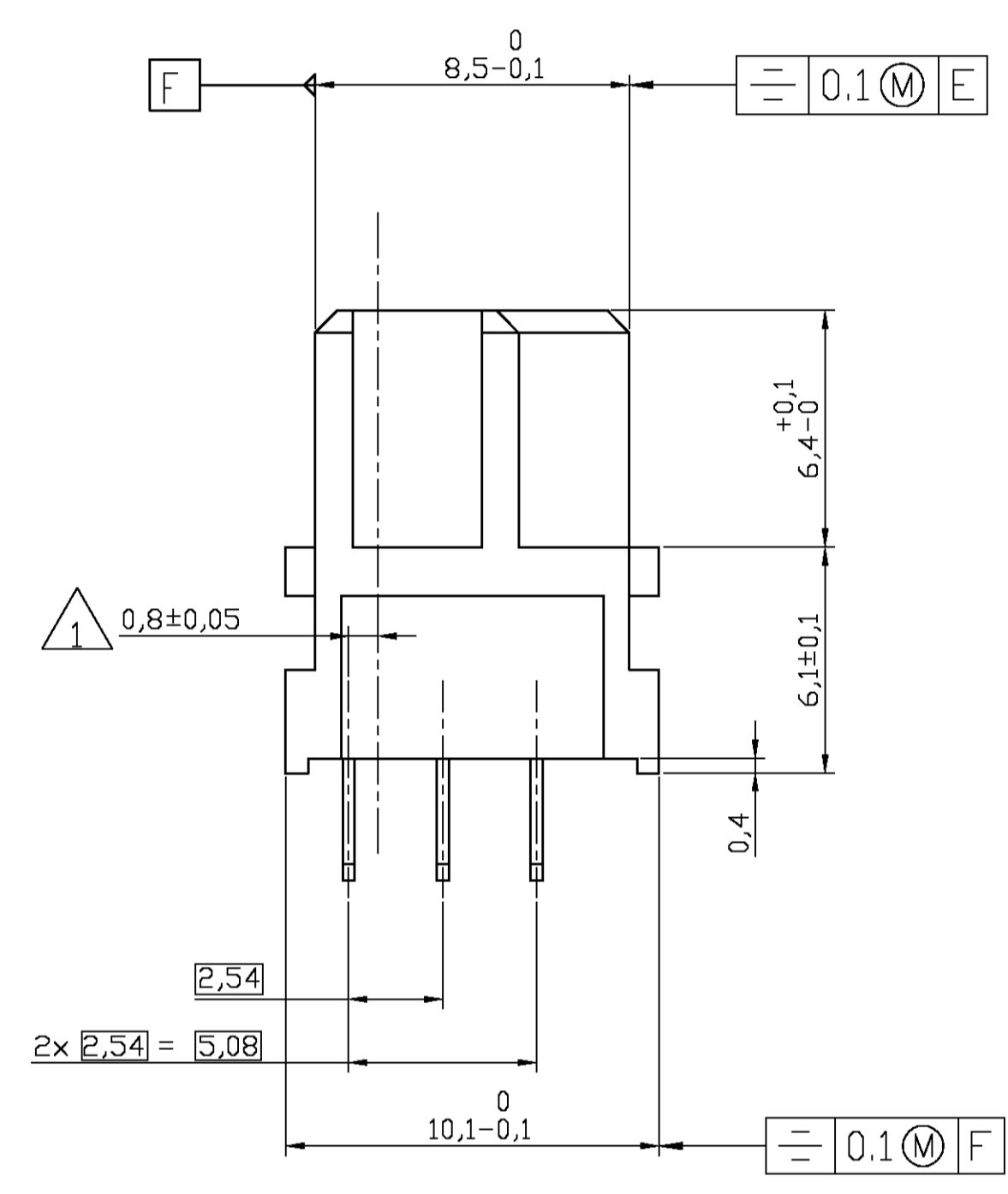
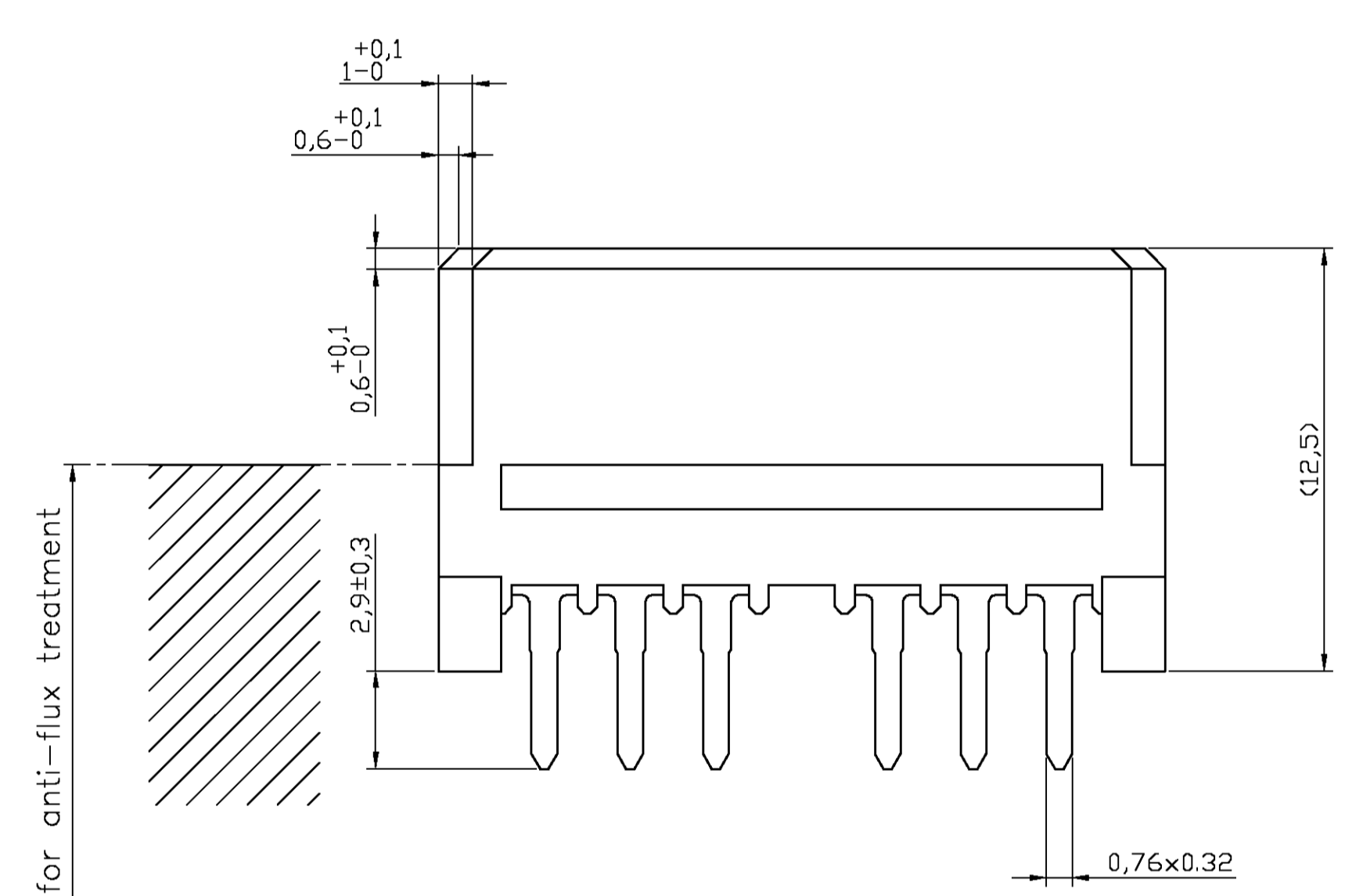


Loading Pattern (10 contacts)

	1	2	3	4	5	6	7
Row a	+	o	+	o	+	o	+
Row b	o	+	o	o	o	+	o
Row c	+	o	+	o	+	o	+

+ = contact
o = no contact

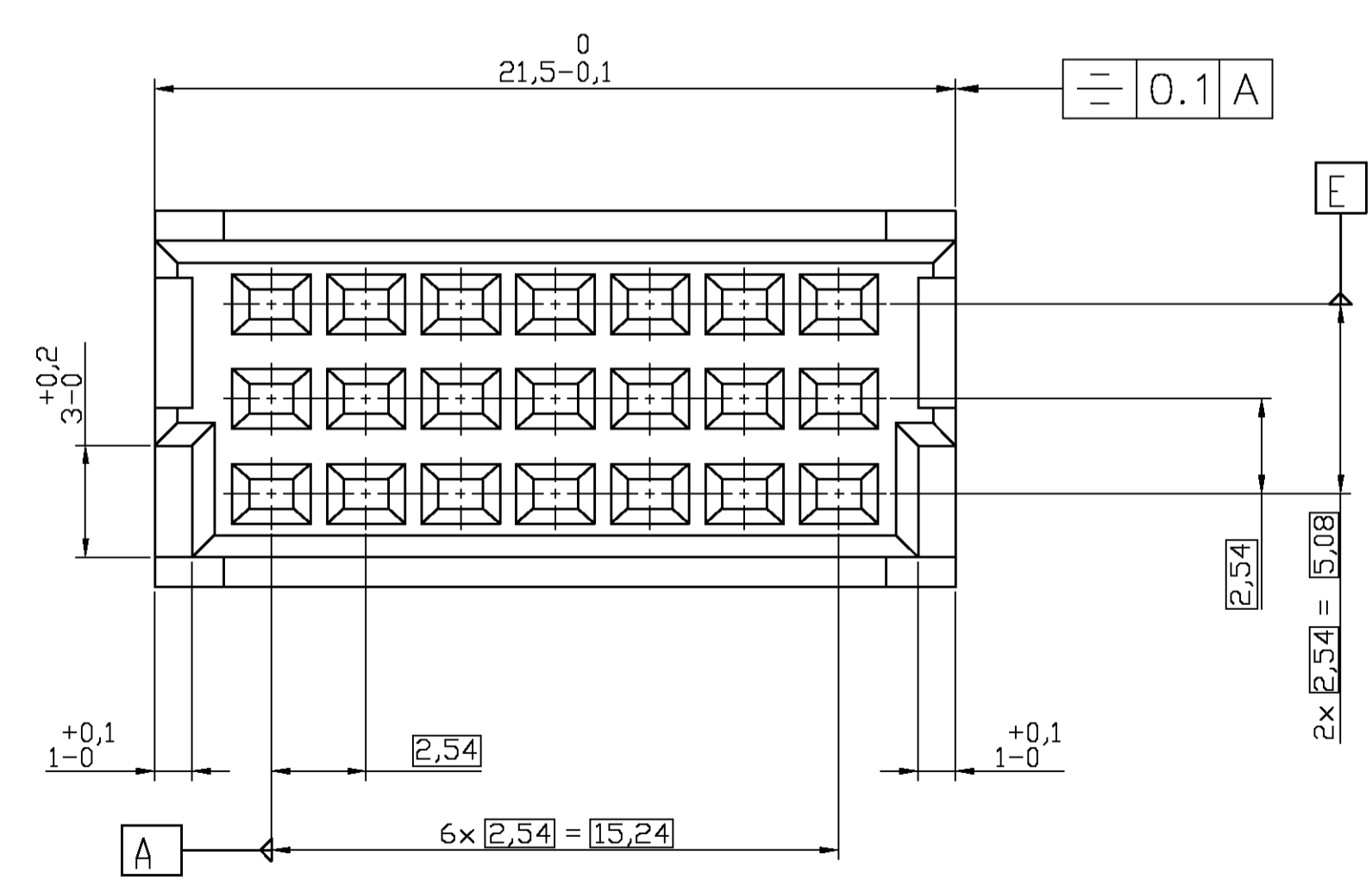


Specifications acc. IEC 603-2. Performance Level 2

Housing : PBTP 30% Glasfilled (UL94-V0)
 Pebblegrey similar RAL 7032

Contact material : Copper Alloy
 Plating : Contact area : PdNi+Au or Au
 Termination area : Sn
 with flux-tight coating.

⚠ Center-displacement between termination- and contact-side.



Active Partnumber. Contact Tyco Electronics for other configuration availability

Old Partnumber	Tyco Part-number
V42254-F2299-R9	1982301-1

THIS DRAWING IS A CONTROLLED DOCUMENT.		DIN J.LOONEN 25JAN07	 Tyco Electronics Corporation 's-Hertogenbosch, 522AR-32
DIMENSIONS: mm		GIK B.MOOIJ 25JAN07	
TOLERANCES UNLESS OTHERWISE SPECIFIED:		APVD J.BROEKSTEEG 25JAN07	NAME
0 PLC ± -	1 PLC ± 0.1	EUROCARD	
2 PLC ± 0.05	3 PLC ± -	RECEPTACLE ASS'Y, TYPE R21/10 POS	
4 PLC ± -	ANGLES ± 1	SIZE	CAGE CODE DRAWING NO
MATERIAL -	FINISH -	WEIGHT -	A1 00779 ©=1982301-1
CUSTOMER DRAWING		SCALE 1:5	SHEET 1 OF 1 REV A

单击下面可查看定价，库存，交付和生命周期等信息

[>>TE Connectivity\(泰科\)](#)