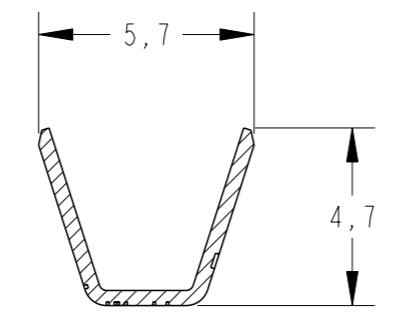
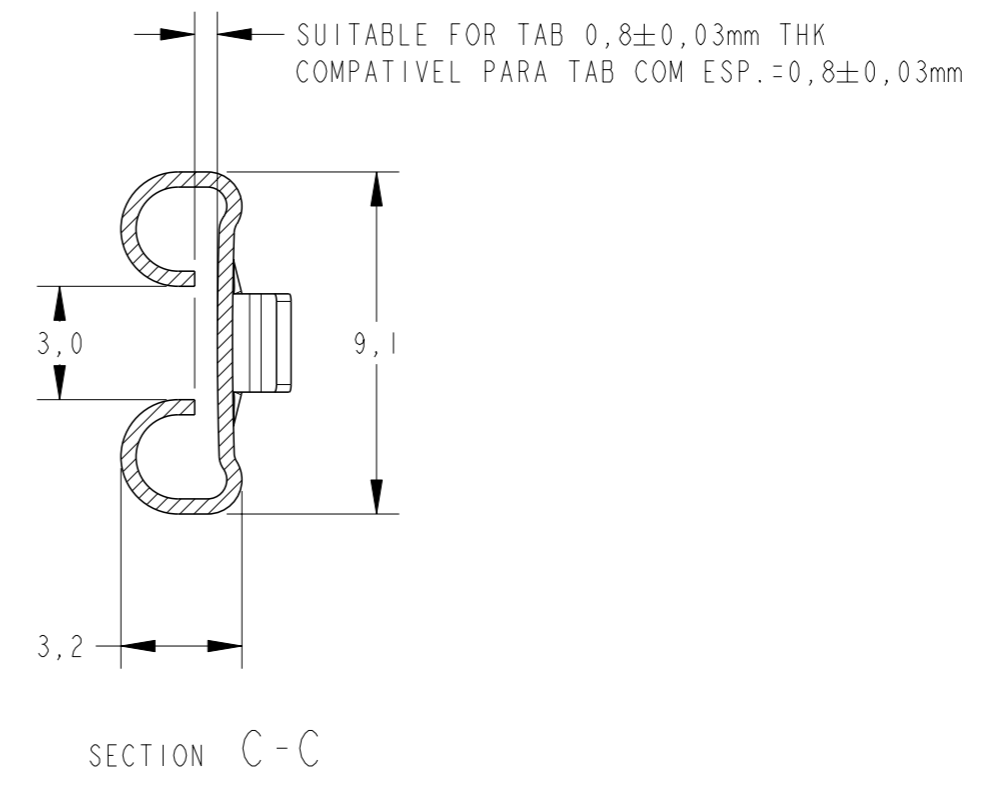
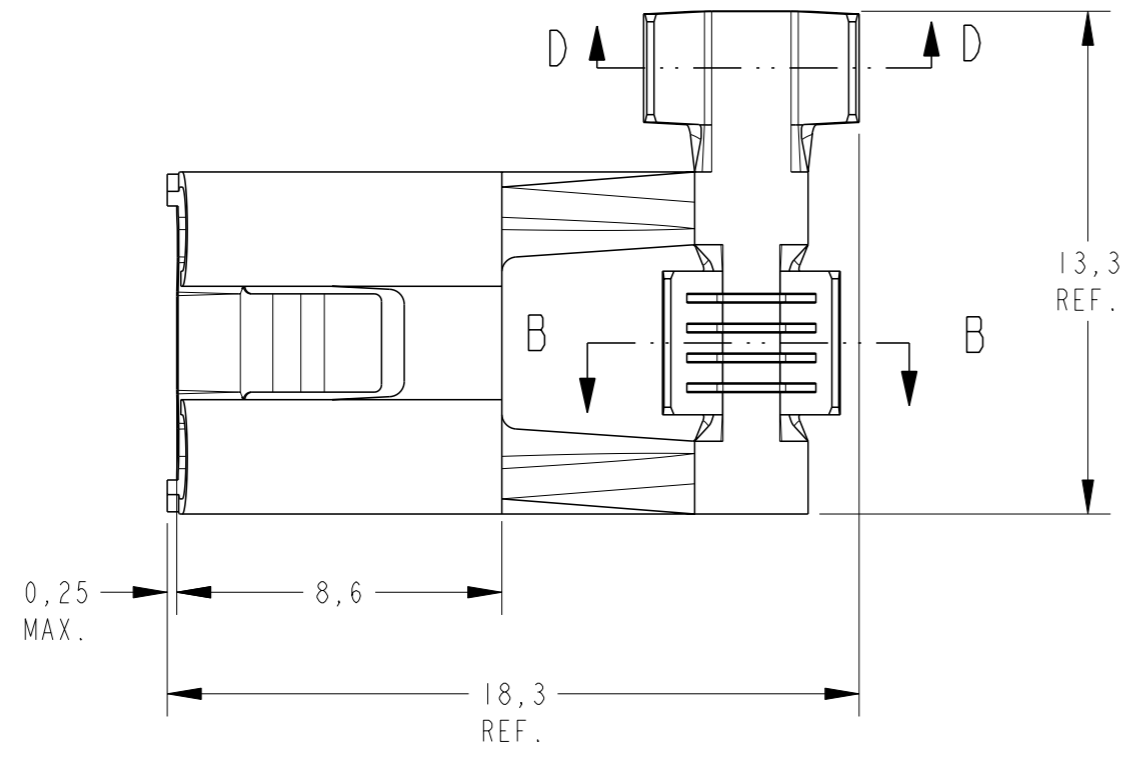
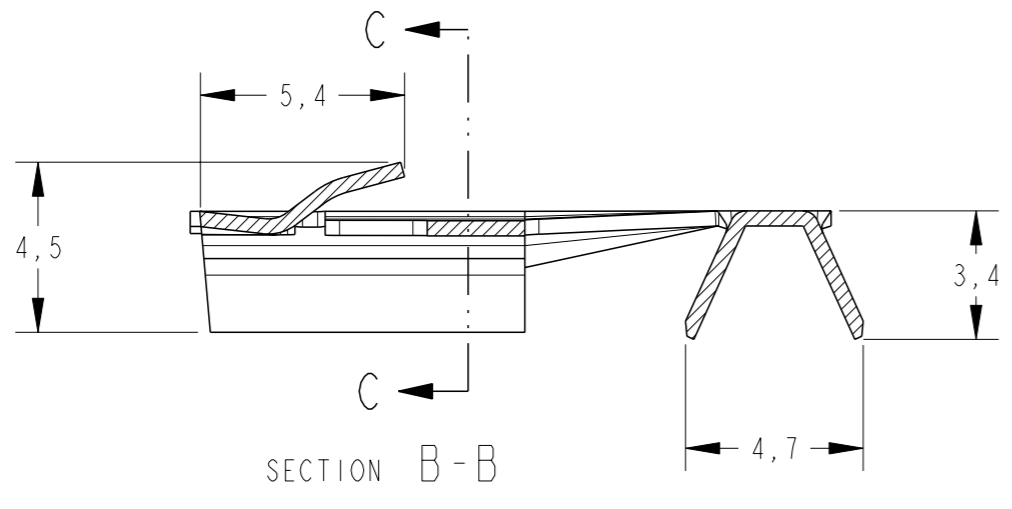
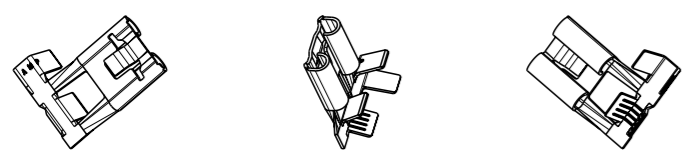


THIS DRAWING IS UNPUBLISHED. RELEASED FOR PUBLICATION 10
 © COPYRIGHT 10 BY - ALL RIGHTS RESERVED.

LOC		DIST		REVISIONS			
P	LTR	DESCRIPTION	DATE	DWN	APVD		
AP	-	A	11APR2013	NCL	DAO	REVISED DRAWING ECO-13-006236	



SECTION D-D



PERSPECTIVE VIEWS
SCALE: 1:1

1,0 - 2,5	2,5 - 3,8	NÚ/UNPLATED	LATÃO/BRASS	1989960-1
WIRE-RANGE (mm ²)	INSULATION RANGE (Ø mm)	FINISH	MATERIAL	PART NUMBER
THIS DRAWING IS A CONTROLLED DOCUMENT.		DWN E. LOPES 22FEB2010	TE Connectivity FASTIN FASTON .312" SERIES FLAG RECEPTACLE	
DIMENSIONS: mm		CHK JRGOLDSCHMIDT 22FEB2010		
TOLERANCES UNLESS OTHERWISE SPECIFIED:		APVD M. GISOLDI 22FEB2010		
0 PLC ± 1 PLC ±0,3 2 PLC ± 3 PLC ± 4 PLC ± ANGLES ±1° FINISH		PRODUCT SPEC -		
MATERIAL SEE TABLE	SEE TABLE	APPLICATION SPEC -	SIZE A2	CAGE CODE 00779
		WEIGHT -	DRAWING NO. C-1989960	RESTRICTED TO -
		CUSTOMER DRAWING	SCALE 5:1	SHEET 1 OF 1 REV A

单击下面可查看定价，库存，交付和生命周期等信息

[>>TE Connectivity\(泰科\)](#)