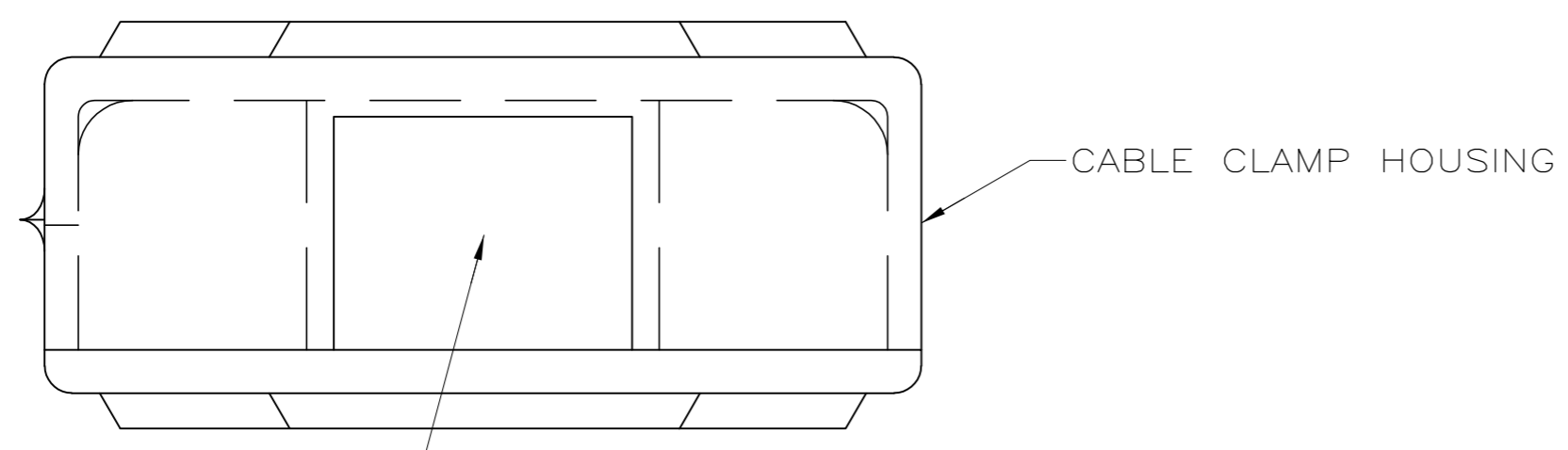
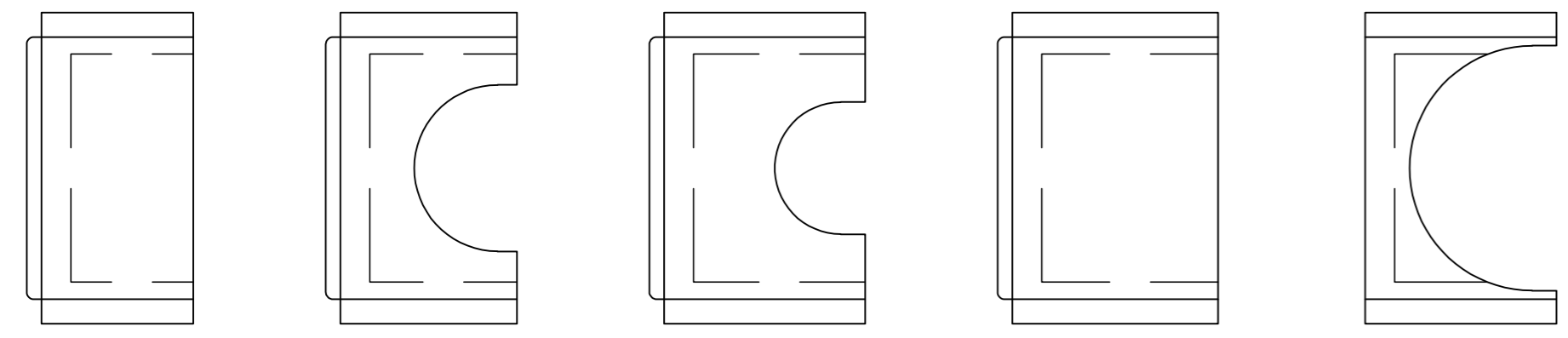
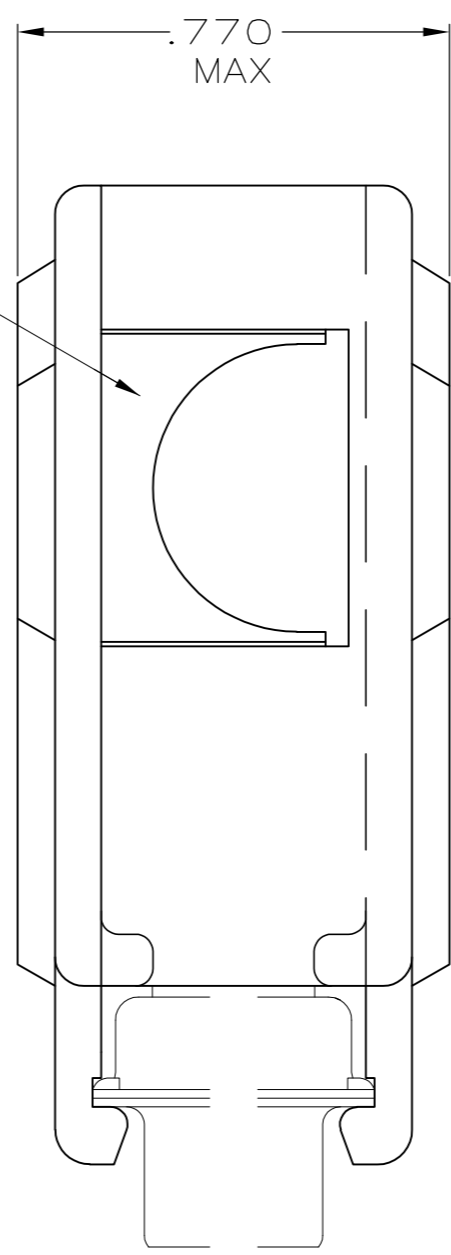
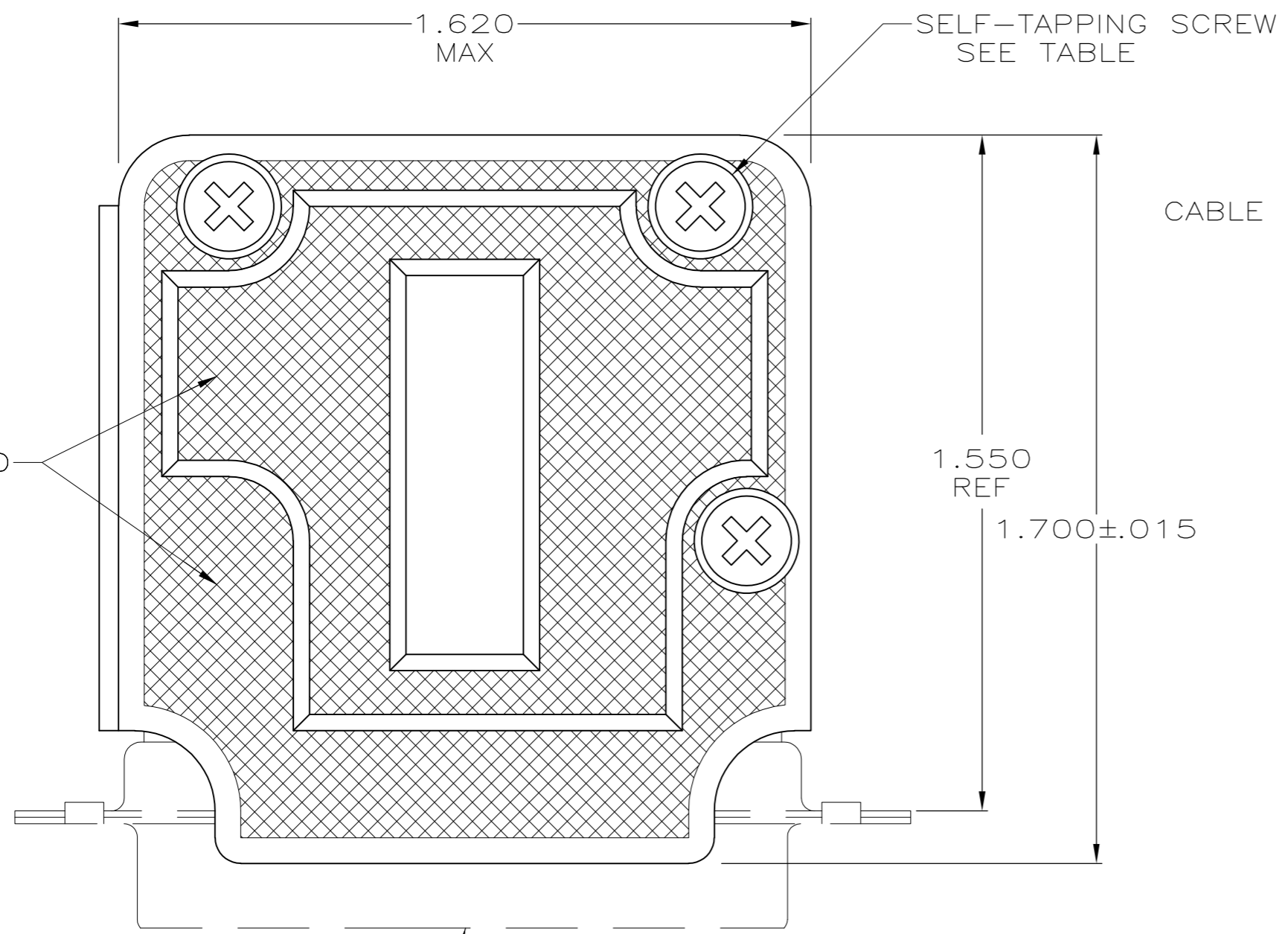


THIS DRAWING IS UNPUBLISHED. RELEASED FOR PUBLICATION
 © COPYRIGHT - By - ALL RIGHTS RESERVED.

LOC		DIST		REVISIONS			
P	LTR	DESCRIPTION		DATE	DWN	APVD	
	F1	REVISED PER ECO-11-004835		11MAR11	RK	HMR	



- 1. PARTS PACKAGED UNASSEMBLED.
- 2. CABLE GATES ARE INTERCHANGEABLE ALLOWING 90° & 180° CABLE EXIT.
- ⚠ COMPONENTS INDIVIDUALLY BULK PACKED AND SHIPPED AS A UNIT PACKAGE KIT.



3-A .195 DIA CABLE REF

3-B .360 DIA CABLE REF

3-C .215 DIA CABLE REF

3-D BLANK GATE

3-E .390 DIA CABLE REF

GATES

OBSOLETE	SLOTTED	⚠	207345-4
OBSOLETE	SLOTTED	AS SHOWN	207345-3
	CROSS-RECESSED	⚠	207345-2
	CROSS-RECESSED	AS SHOWN	207345-1
	SCREW VERSION	PACKAGING	PART NUMBER

THIS DRAWING IS A CONTROLLED DOCUMENT.

DIMENSIONS: INCHES	TOLERANCES UNLESS OTHERWISE SPECIFIED:	DWN S. WELDON 9-16-86	
	0 PLC ± -	CHK C. RICHARD 9-16-86	
	1 PLC ± -	APVD S. SCHUFERLY 9-16-86	
	2 PLC ± -	NAME	
	3 PLC ± .005	PRODUCT SPEC	
4 PLC ± -	ANGLES ± -	APPLICATION SPEC	SIZE CAGE CODE DRAWING NO RESTRICTED TO
MATERIAL MOLDED PARTS: POLYPROPYLENE, COLOR: BLACK SCREWS: STEEL PER ASTM A108	FINISH SCREWS: ZINC PHOSPHATE PER MIL-P-16232	WEIGHT -	A2 00779 C-207345
CUSTOMER DRAWING			SCALE NTS SHEET 1 OF 1 REV F1

单击下面可查看定价，库存，交付和生命周期等信息

[>>TE Connectivity\(泰科\)](#)