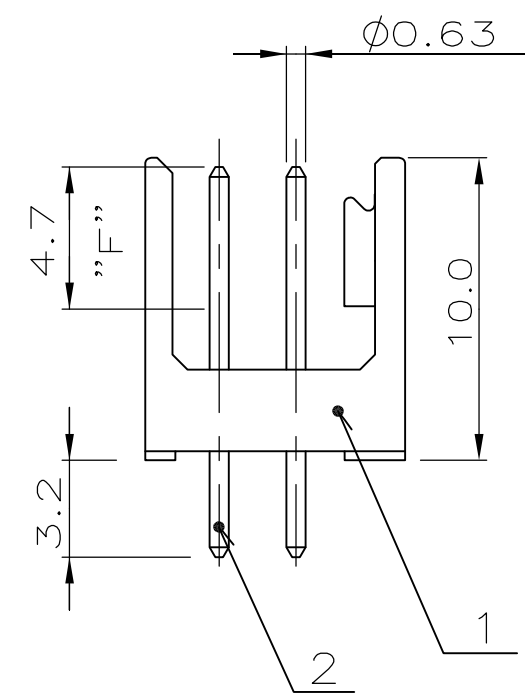
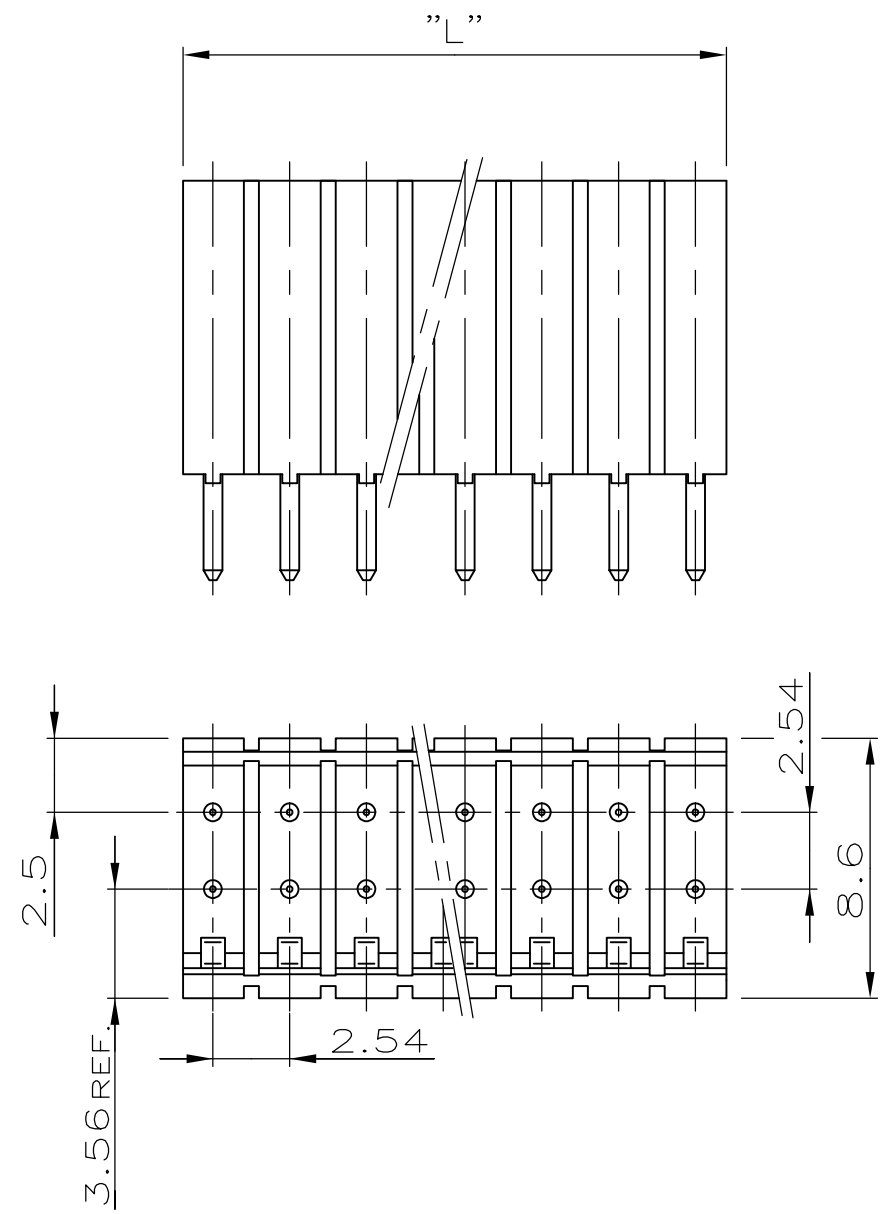


THIS DRAWING IS UNPUBLISHED. RELEASED FOR PUBLICATION  
 © COPYRIGHT - By - ALL RIGHTS RESERVED.

LOC	DIST	REVISIONS					
		P	LTR	DESCRIPTION	DATE	DWN	APVD
-	-		F	PLATING CHANGE TO PdNi + Au FLASH AT AREA F	19MAY2014	KJK	JK

POS. PER ROW "n"	L±0.4	PART NO.
2	4.58	829 538 -2
3	7.12	829 538 -3
4	9.66	829 538 -4
5	12.20	829 538 -5
6	14.74	829 538 -6
7	17.28	829 538 -7
8	19.82	829 538 -8
15	37.60	1- 829 538 -5



NOTES:  
 1 MATING SIDE AT AREA "F"  
 MIN. 0.7µm PdNi + 0.1µm GOLD FLASH  
 OVER 1.27µm NICKEL  
 SOLDER SIDE: MIN. 3.0µm TIN OVER 1.27µm NICKEL

2	CONTACT PIN KONTAKTSTIFT	CuZn	1
1	PIN HOUSING STIFTGEHÄUSE	PA 4/6	BLACK SCHWARZ
POS.	BENENNUNG EINZELTEIL	WERKSTOFF	OBERFLÄCHE
[ITEM NO.]	[DESCRIPTION]	[MATERIAL]	FARBE
			[FINISH]

THIS DRAWING IS A CONTROLLED DOCUMENT.

DIMENSIONS:	TOLERANCES UNLESS OTHERWISE SPECIFIED:
mm	±0.2mm
0 PLC	± -
1 PLC	± -
2 PLC	± -
3 PLC	± -
4 PLC	± -
ANGLES	± -
MATERIAL	FINISH
SEE TABLE	SEE TABLE

DWN	MULLER	09.02.90	<b>STE</b> TE Connectivity	
CHK	SCHAARSCHMIDT	12.02.90		
APVD	-	-	NAME	
PRODUCT SPEC	108-18012		AMPMODU II PIN HEADER, DUAL ROW	
APPLICATION SPEC	-		SIZE	CAGE CODE
WEIGHT	-	DRAWING NO	A3	00779
CUSTOMER DRAWING		SCALE	4:1	SHEET
			1	OF 1
		REV	F	

单击下面可查看定价，库存，交付和生命周期等信息

[>>TE Connectivity\(泰科\)](#)