

THIS DRAWING IS UNPUBLISHED.

RELEASED FOR PUBLICATION FEB ,2006.

© COPYRIGHT 2006 By -

ALL RIGHTS RESERVED.

LOC	DIST	REVISIONS					
E	B	P	LTR	DESCRIPTION	DATE	DWN	APVD
		D		ECO-14-012963	25AUG2014	RZ	MY

NOTES:

1 PACKAGE ONE COMPLETE CONNECTOR IN HEAT SEALED, LABELED BAG/ 1000 PER SHIPPING BOX. LABELED PER TEC-107-115

2 100 TRAY PACK IN ACCORDANCE WITH AMP SPEC 107-3275

3 Au PLATING

4 ELECTRICAL CHARACTERISTICS

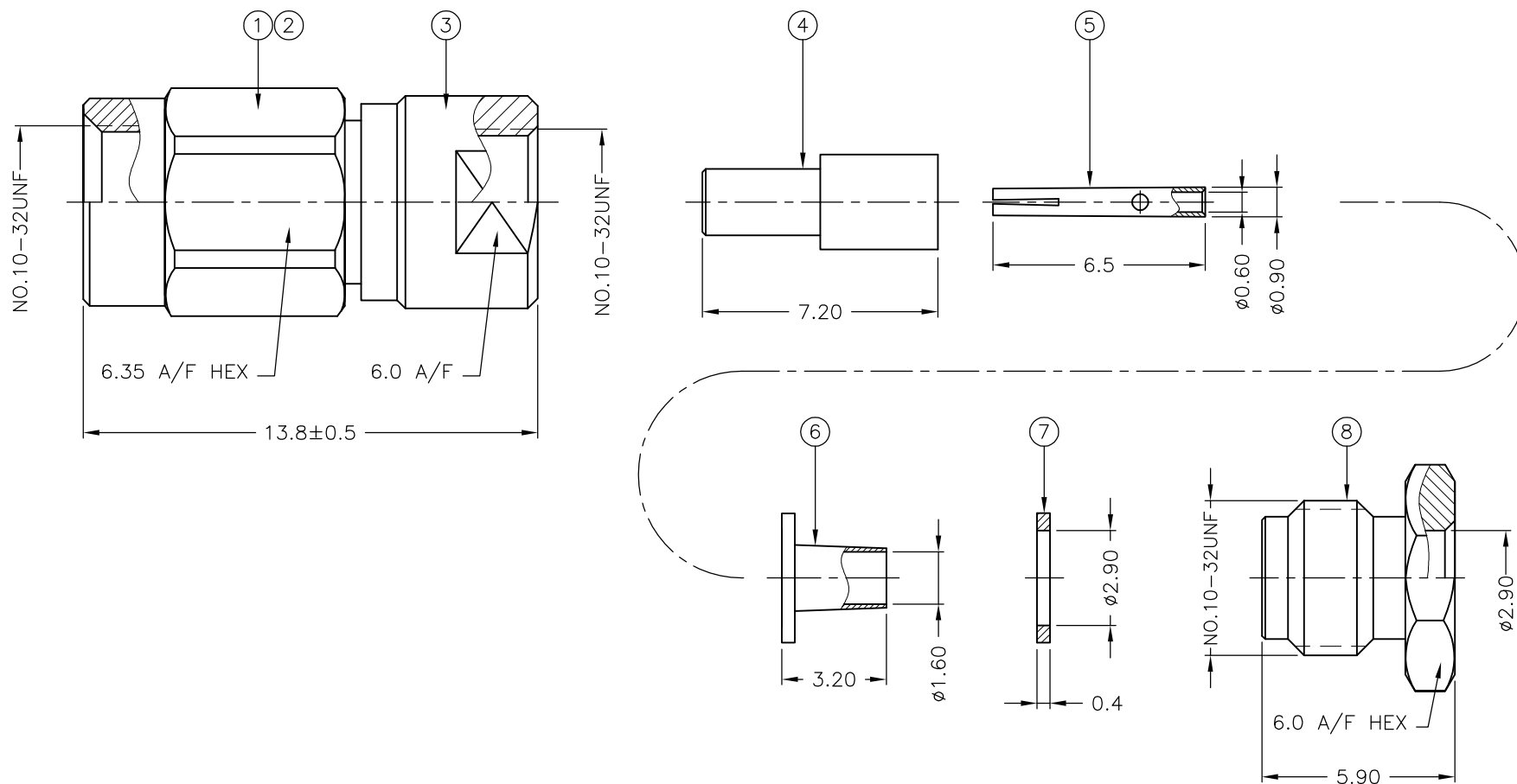
FREQUENCY RANGE:	DC - 10 GHz
NOMINAL IMPEDANCE:	50 Ohm
INSULATION RESISTANCE:	1000 MOhm
WORKING VOLTAGE:	250 Volts RMS at Sea Level
DIELECTRIC WITHSTAND VOLTAGE:	750 Volts RMS Max
CONTACT RESISTANCE:	
CENTER CONTACT:	6.00 mOhm Max
OUTER CONTACT:	1.00 mOhm Max
VSWR @ 3GHz:	1.35:1
INSERTION LOSS dB @ 4 GHz:	0.25 Max

5 MECHANICAL CHARACTERISTICS

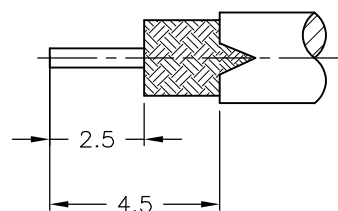
COUPLING NUT RETENTION FORCE:	156N Min
CABLE RETENTION FORCE:	
RG174A/U, 188A/U, 316/U, URM95:	43.5N Min
CLAMP NUT RECOMMENDED TORQUE	0.6Nm
DURABILITY:	500 Cycles Min

6 ENVIRONMENTAL CHARACTERISTICS

OPERATING TEMPERATURE:	-65 to +165 DegC
------------------------	------------------



RECOMMENDED CABLE STRIPPING DIM'S



		1	1	BRASS	3	CLAMP NUT	8
		1	1	BRASS	3	WASHER	7
		1	1	BRASS	3	FERRULE	6
		1	1	BERYLLIUM COPPER	3	CONTACT	5
		1	1	PTFE		INSULATION	4
		1	1	BRASS	3	BODY	3
		1	1	BERYLLIUM COPPER		CIRCLIP	2
		1	1	BRASS	3	COUPLING NUT	1
		6--0	1--0	MATERIAL		DESCRIPTION	ITEM
QUANTITY PER ASSY				PARTS LIST			

THIS DRAWING IS A CONTROLLED DOCUMENT.		DWN	J.SANDWELL	13FEB06	STE TE Connectivity			
		CHK	S.PARLOW	13FEB06				
		APVD	F.WHEELER-KING	13FEB06	NAME			
		PRODUCT SPEC			SMC STRAIGHT PLUG SOLDER 50 OHM			
		APPLICATION SPEC			RG174A/U, 188A/U, 316/U, URM95, KX3B, KX22A			
		411-3258			SIZE	CAGE CODE	DRAWING NO	RESTRICTED TO
		WEIGHT -			A3	00779	C-1337607	-
MATERIAL		FINISH			CUSTOMER DRAWING			SCALE
SEE TABLE		-			NTS			SHEET
					1 OF 1			REV
								D

单击下面可查看定价，库存，交付和生命周期等信息

[>>TE Connectivity\(泰科\)](#)