

THIS DRAWING IS UNPUBLISHED.

RELEASED FOR PUBLICATION

2015

© COPYRIGHT 2015

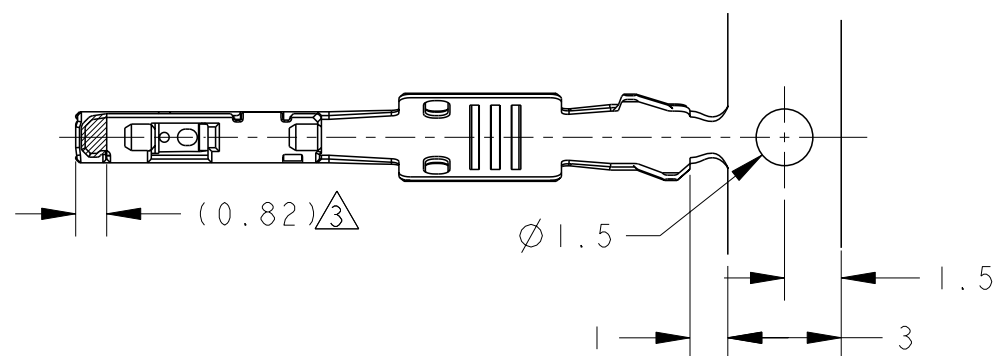
ALL RIGHTS RESERVED.

LOC
J

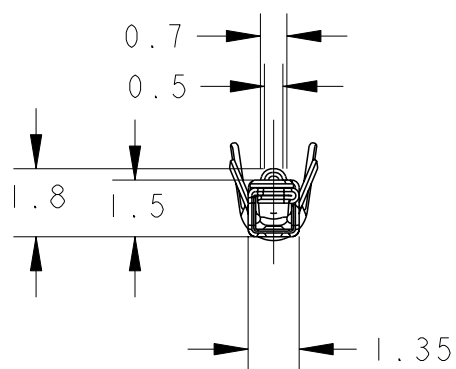
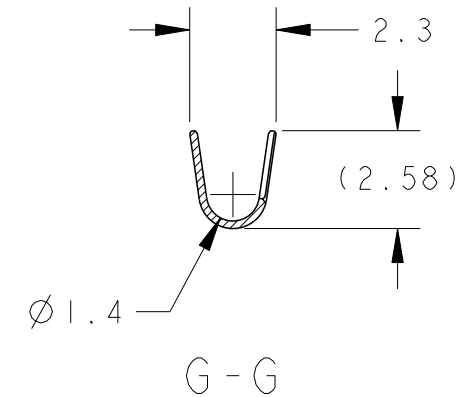
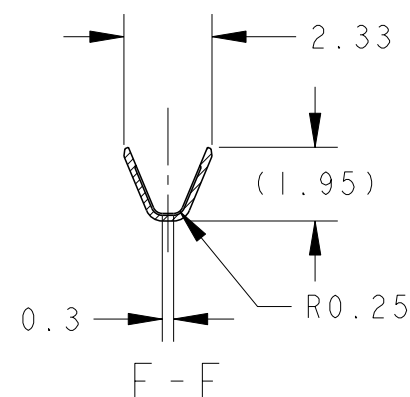
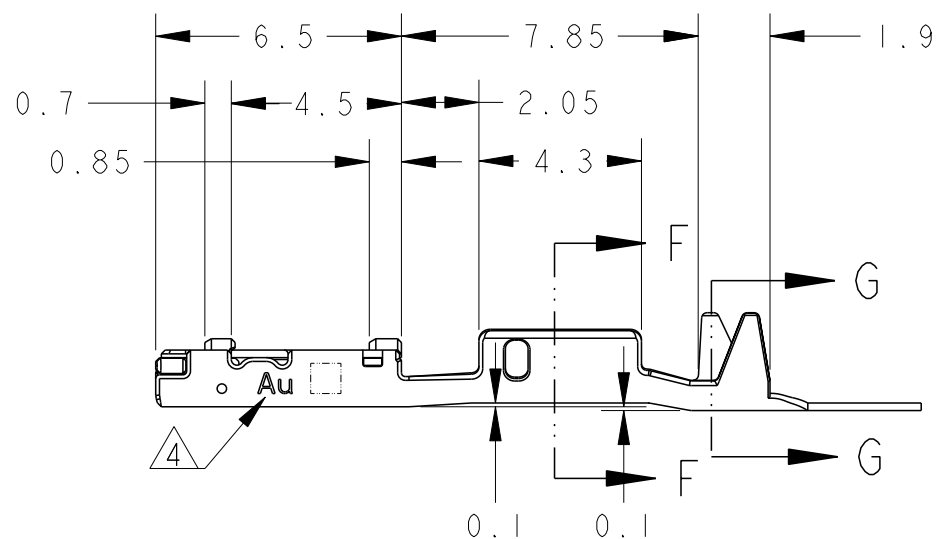
DIST
-

REVISIONS
変更

P	LTR	DESCRIPTION	DATE	DWN	APVD
A		RELEASED	19MAR09	TA	HY
B		REVISED	18SEP2015	KK	RK

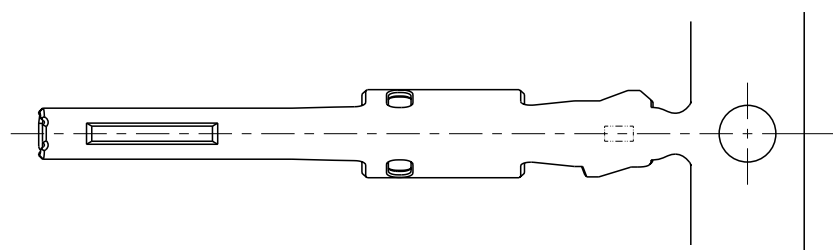


AS SHOWN: - 1
本図: - 1



- 1. APPLICABLE WIRE RANGE:
AES SX/AVSSH/AVSS 0.3mm²
- 2. APPLICATOR FEED: 7.5mm
- 3. GOLD PLATED AREA FOR DISCRIMINATION.
- 4. MARKING FOR IDENTIFICATION.

- 1. 適用電線: AES SX/AVSSH/AVSS 0.3mm²
- 2. アプリケータ送りピッチ: 7.5mm
- 3. 識別用金めつき範囲を示す。
- 4. 識別用刻印



THIS DRAWING IS A CONTROLLED DOCUMENT.

DIMENSIONS: 単位: 耗 mm	TOLERANCES UNLESS OTHERWISE SPECIFIED: 一般公差 ±0.3 0-PLC ± 1-PLC ±0.5 2-PLC ±0.13 3-PLC ±0.013 4-PLC ±0.001 ANGLES ±3'00"
MATERIAL 材料 Cu Alloy	FINISH 仕上 SELECTIVE GOLD, TIN

DWN T. AKIGUCHI 26NOV08
CHK R. KOMIYAMA 26NOV08
APVD H. YAMAGAMI 26NOV08
PRODUCT SPEC 製品規格 108-78518
APPLICATION SPEC 取付適用規格 114-5400
WEIGHT 0.16 g

WIRE RANGE 絶合電線断面積 0.37~0.38mm ²	INSULATION DIA 被覆外径 1.4~1.5
TE TE Connectivity	
NAME 名称 SEALED 0.50 RECEPTACLE CONTACT Au	
SIZE A3	CAGE CODE 00779
DRAWING NO 番号 C-1939350	RESTRICTED TO -
SCALE 尺度 5:1	SHEET 1 OF 1
CUSTOMER DRAWING	REV B

单击下面可查看定价，库存，交付和生命周期等信息

[>>TE Connectivity\(泰科\)](#)