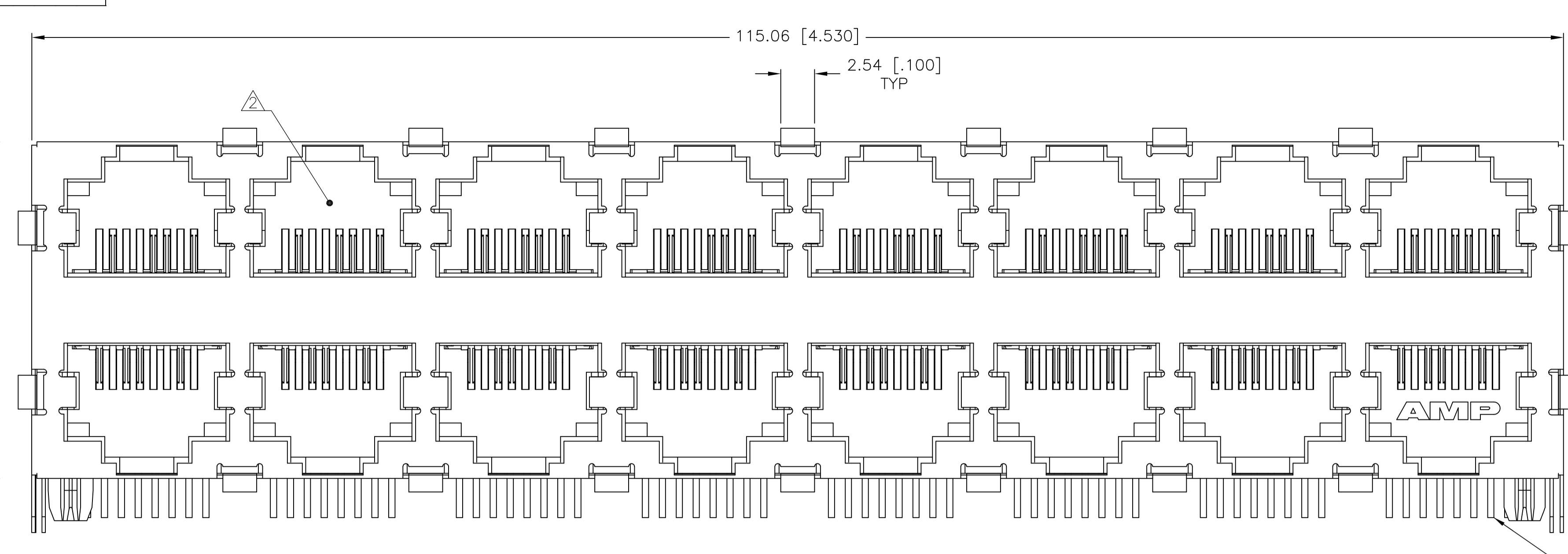
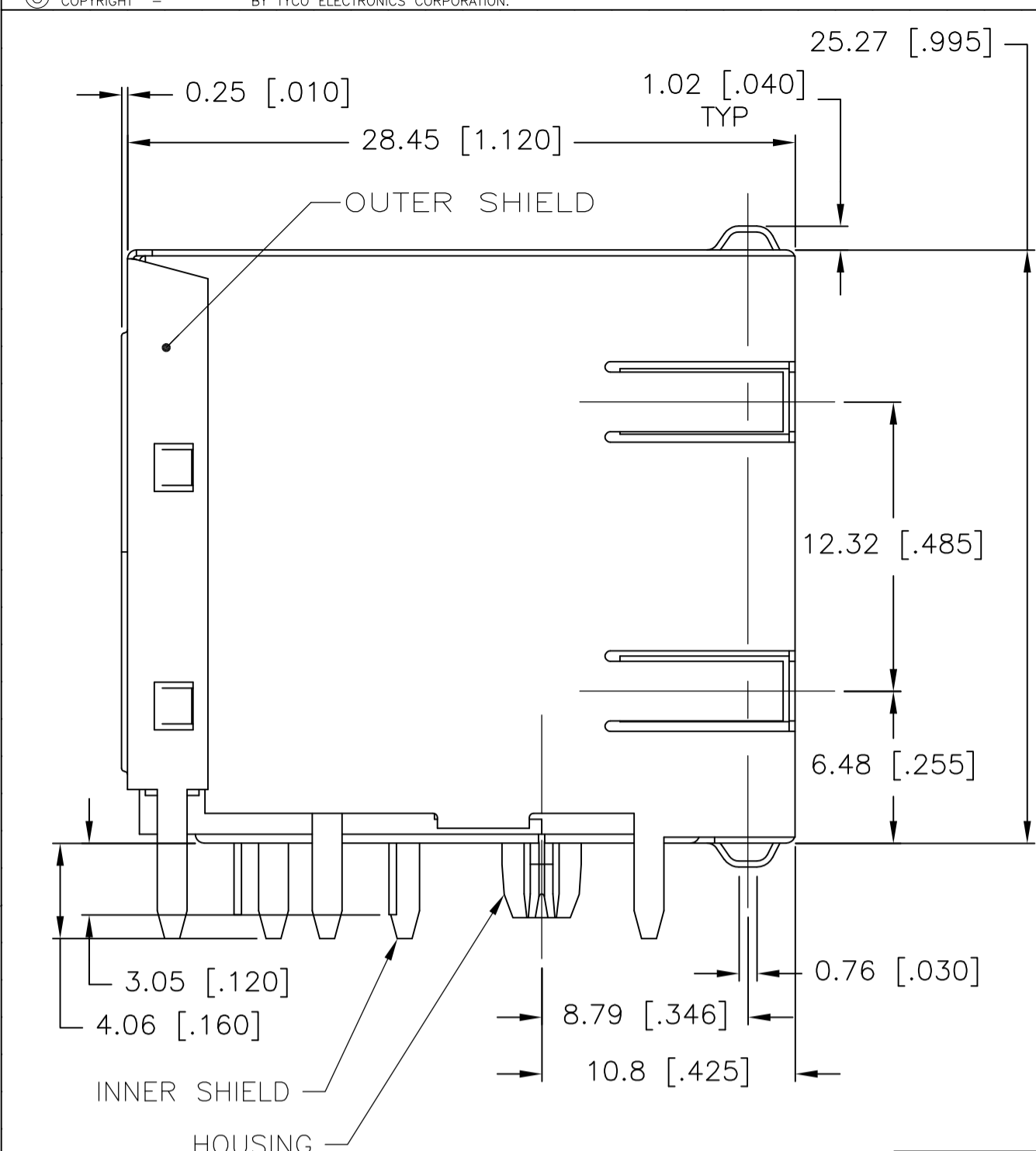


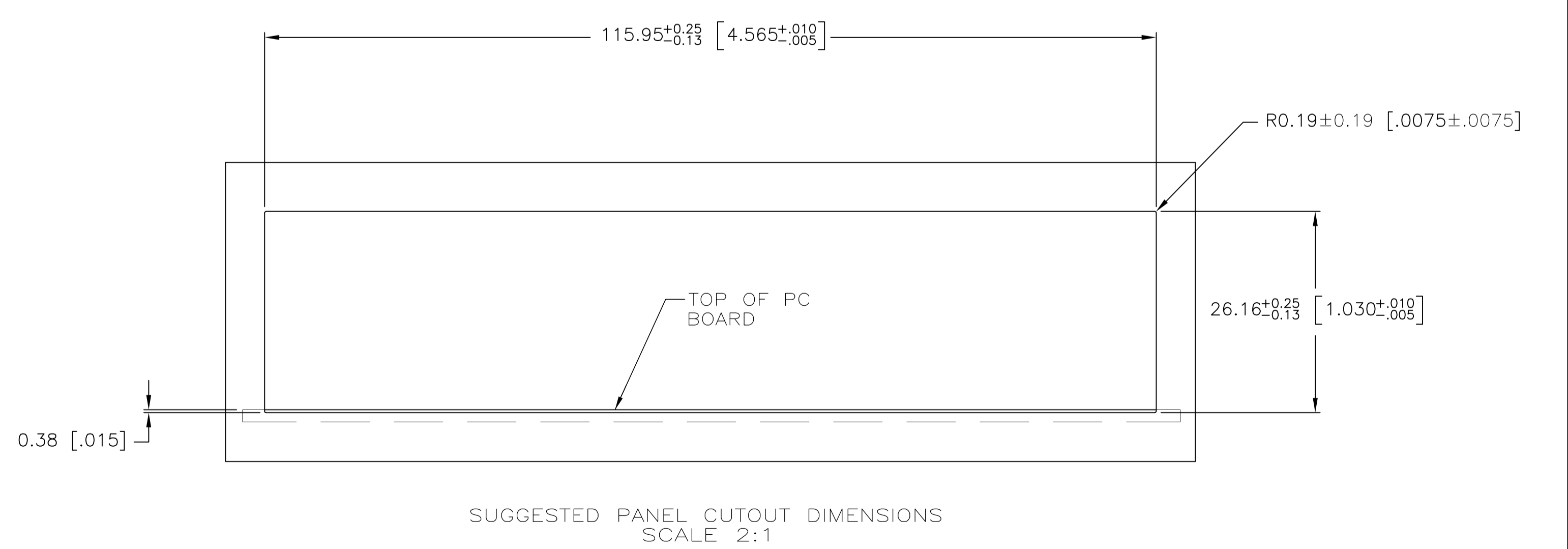
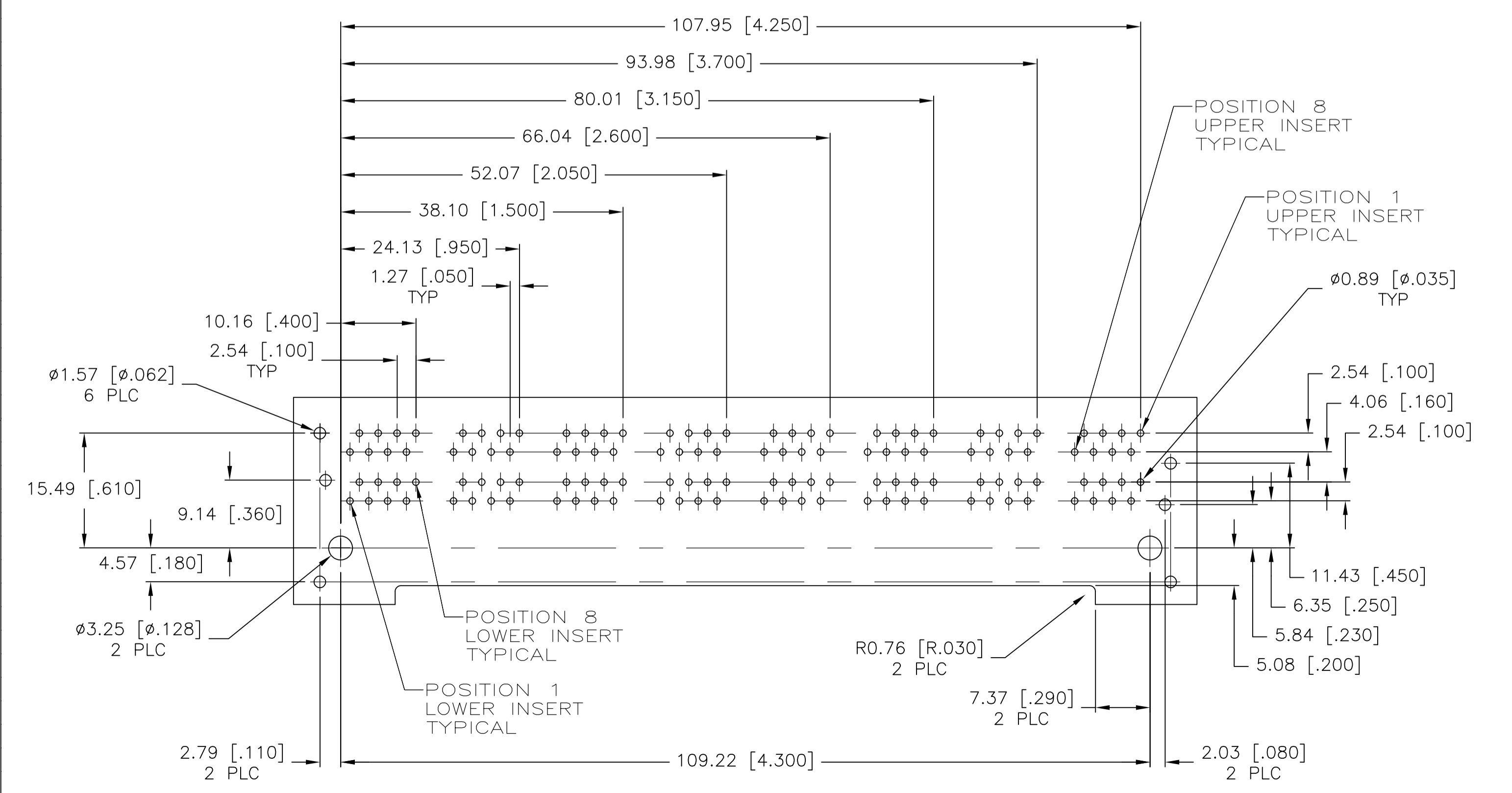
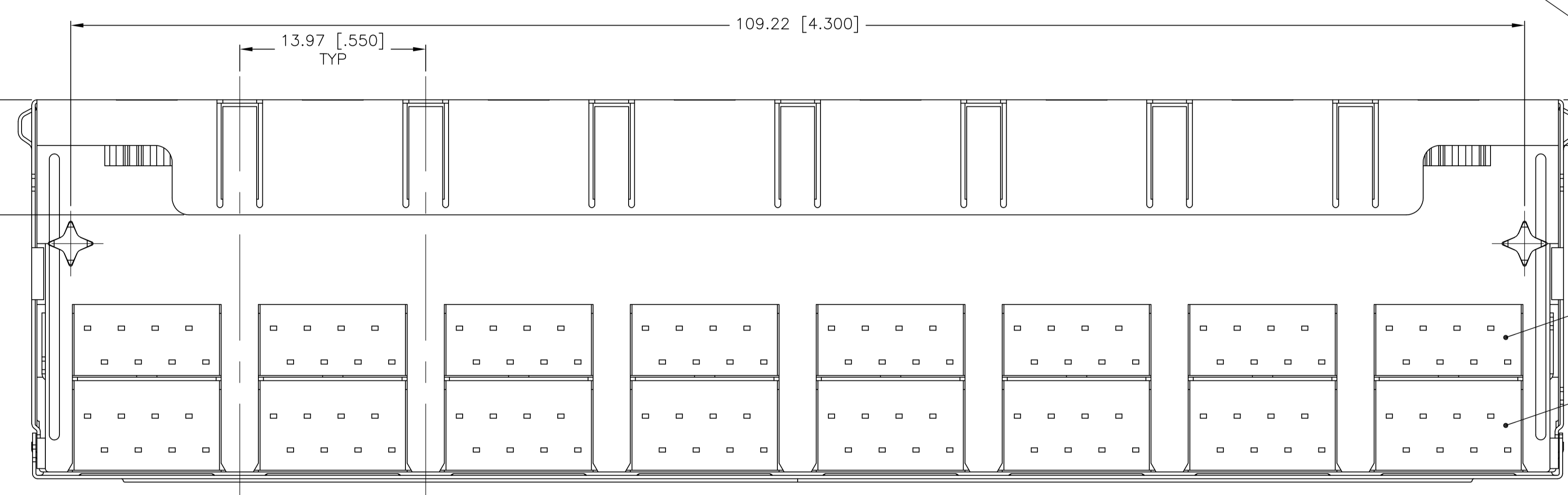
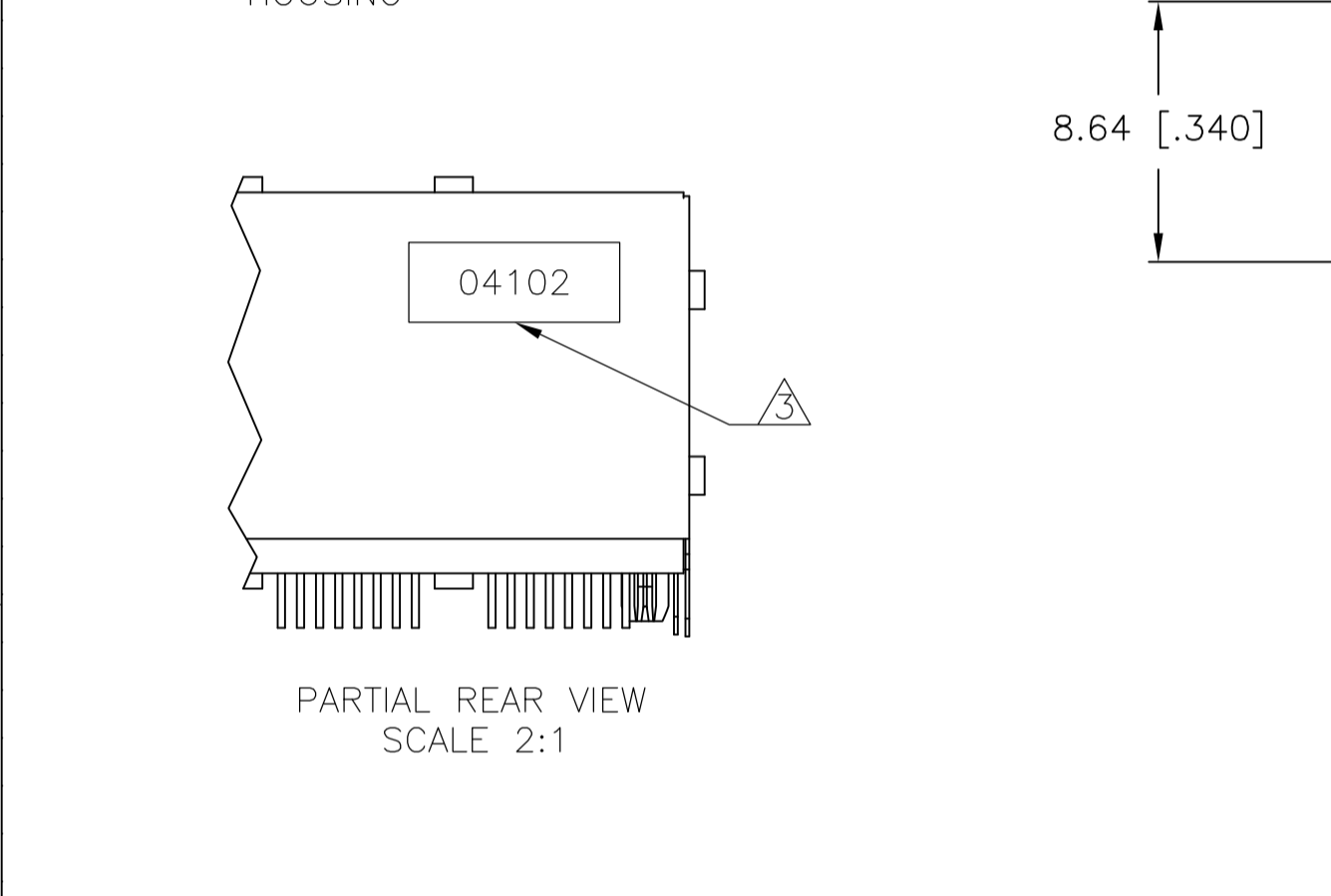
LOC		DIST		REVISIONS			
F	LTR	DESCRIPTION	DATE	DN	APVD		
A1		REVISED ECR-08-031628	02DEC08	AZ	SY		



MATERIAL:
 HOUSING - PCT POLYESTER, BLACK, UL94V-0.
 OVERMOLDED TERMINAL ARRAY - PBT, BROWN.
 TERMINALS - 0.33 [.013] THICK PHOS BRONZE PLATED WITH 1.27um [.000050] MIN THICK HARD GOLD IN LOCALIZED AREA AND 3.81um [.000150] MIN THICK MATTE TIN IN SOLDER AREA OVER 1.27um [.000050] MIN THICK NICKEL UNDERPLATE.
 SHIELDS - 0.25 [.010] THICK COPPER ALLOY PLATED WITH 1.27 um [.000050] MINIMUM NICKEL AND 2.03 um [.000080] MINIMUM HOT TIN DIP ON PCB GROUND TABS.

JACK CAVITY CONFORMS TO FCC RULES AND REGULATIONS, PART 68 SUBPART F.

DATE CODE LOCATED ON REAR OF PART APPROX AS SHOWN:
 FIRST 2 DIGITS ARE LAST 2 DIGITS OF YEAR, SECOND 2 DIGITS ARE MANUFACTURING WORK WEEK, LAST DIGIT IS DAY OF WEEK, WITH SUNDAY=1.



PC BOARD LAYOUT VIEWED FROM COMPONENT SIDE
SCALE 2:1

THIS DRAWING IS A CONTROLLED DOCUMENT.		DIN J. ALCORTA - 10JUN2005	Tyco Electronics Corporation Harrisburg, PA 17105-3608
DIMENSIONS: mm [INCHES]		CHK J. WESTMAN 10JUN2005	
TOLERANCES UNLESS OTHERWISE SPECIFIED:		APVD S. FLICKINGER 10JUN2005	NAME
0 PLC ± -			STACKED MODULAR JACK ASSEMBLY, 2x8 PORT, 8 POSITION, SHIELDED, PANEL GROUND, CATEGORY 5
1 PLC ± -			108-1163-2
2 PLC ± 0.25(.01)			APPLICATION SPEC
3 PLC ± 0.13(.005)			114-2048
4 PLC ± -			SIZE
ANGLES ± -			CODE CODE DRAWING NO
			A1 00779 C=5406495
MATERIAL	FINISH	WEIGHT	RESTRICTED TO
CUSTOMER DRAWING		SCALE 4:1	SHEET 1 OF 1 REV A1

单击下面可查看定价，库存，交付和生命周期等信息

[>>TE Connectivity\(泰科\)](#)