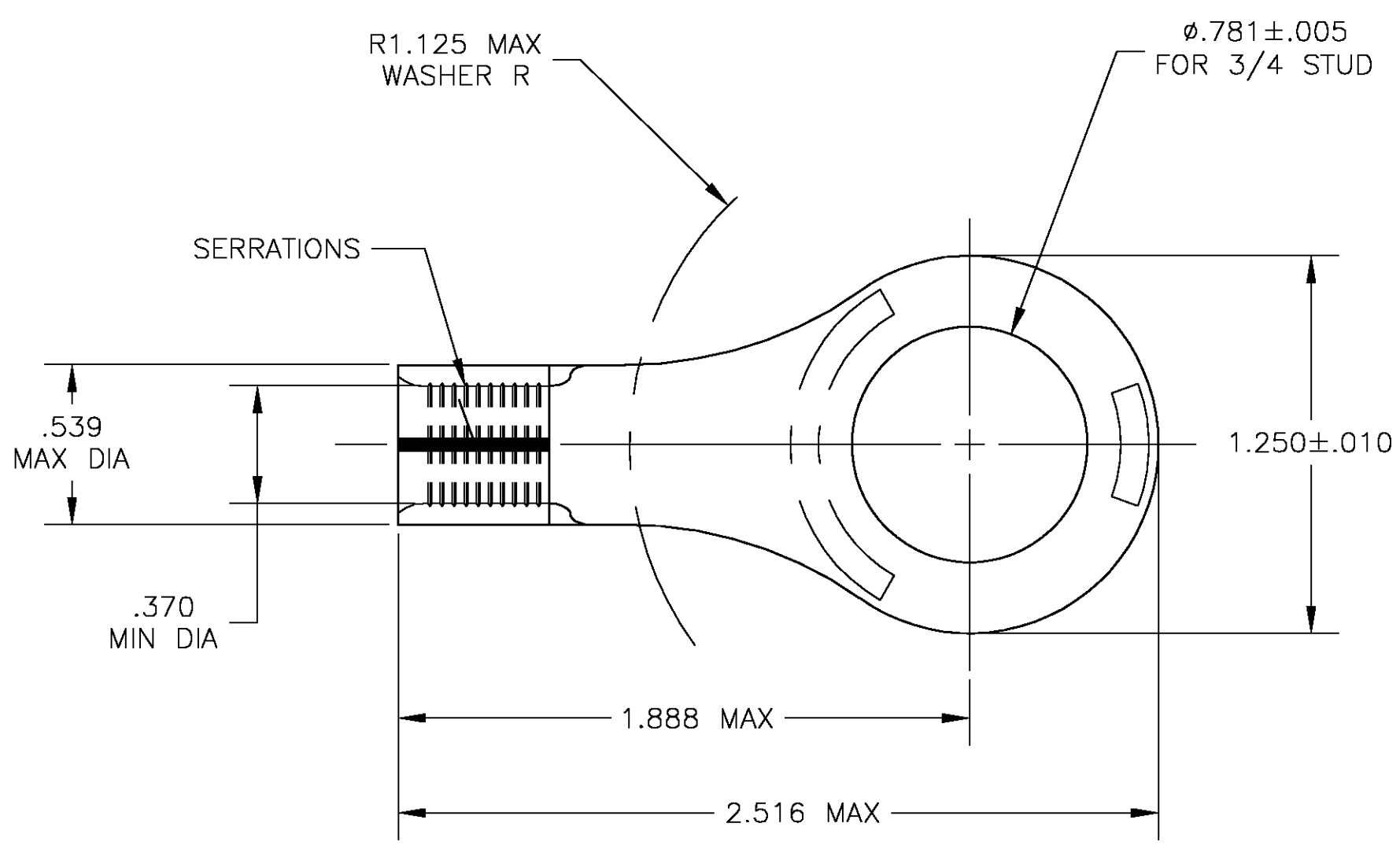


THIS DRAWING IS UNPUBLISHED. RELEASED FOR PUBLICATION
 © COPYRIGHT BY TYCO ELECTRONICS CORPORATION. ALL RIGHTS RESERVED.

LOC	DIST	REVISIONS			
P	LTR	DESCRIPTION	DATE	DWN	APVD
G	14	C	REV PER 0G3A-0435-04	10JUN04	JR MS



- 1 TONGUE THK IS $.070 \pm .003$
- 2 TIN PLATE PER ASTM B 545 ANNEALED

320755-0
 PART NO

THIS DRAWING IS A CONTROLLED DOCUMENT.		DWN jr_ruth	03OCT03	tyco Electronics	Tyco Electronics Corporation Harrisburg, PA 17105														
DIMENSIONS: INCHES		CHK MJ SPICER	03OCT03		NAME														
TOLERANCES UNLESS OTHERWISE SPECIFIED:		APVD MJ SPICER	03OCT03	PRODUCT SPEC															
<table border="0"> <tr><td>0 PLC</td><td>± -</td></tr> <tr><td>1 PLC</td><td>± -</td></tr> <tr><td>2 PLC</td><td>± -</td></tr> <tr><td>3 PLC</td><td>± .008</td></tr> <tr><td>4 PLC</td><td>± -</td></tr> <tr><td>ANGLES</td><td>± 5°</td></tr> </table>		0 PLC	± -	1 PLC	± -	2 PLC	± -	3 PLC	± .008	4 PLC	± -	ANGLES	± 5°	APPLICATION SPEC		TERMINAL, SOLISTRAND, RING TONGUE, WIRE SIZE : #2			
0 PLC	± -																		
1 PLC	± -																		
2 PLC	± -																		
3 PLC	± .008																		
4 PLC	± -																		
ANGLES	± 5°																		
MATERIAL COPPER ASTM B152		FINISH - $\triangle 2$		SIZE	CAGE CODE	DRAWING NO	RESTRICTED TO												
CUSTOMER DRAWING				A3	00779	C-320755	-												
SCALE				2:1	SHEET	1 OF 1	REV C												

单击下面可查看定价，库存，交付和生命周期等信息

[>>TE Connectivity\(泰科\)](#)