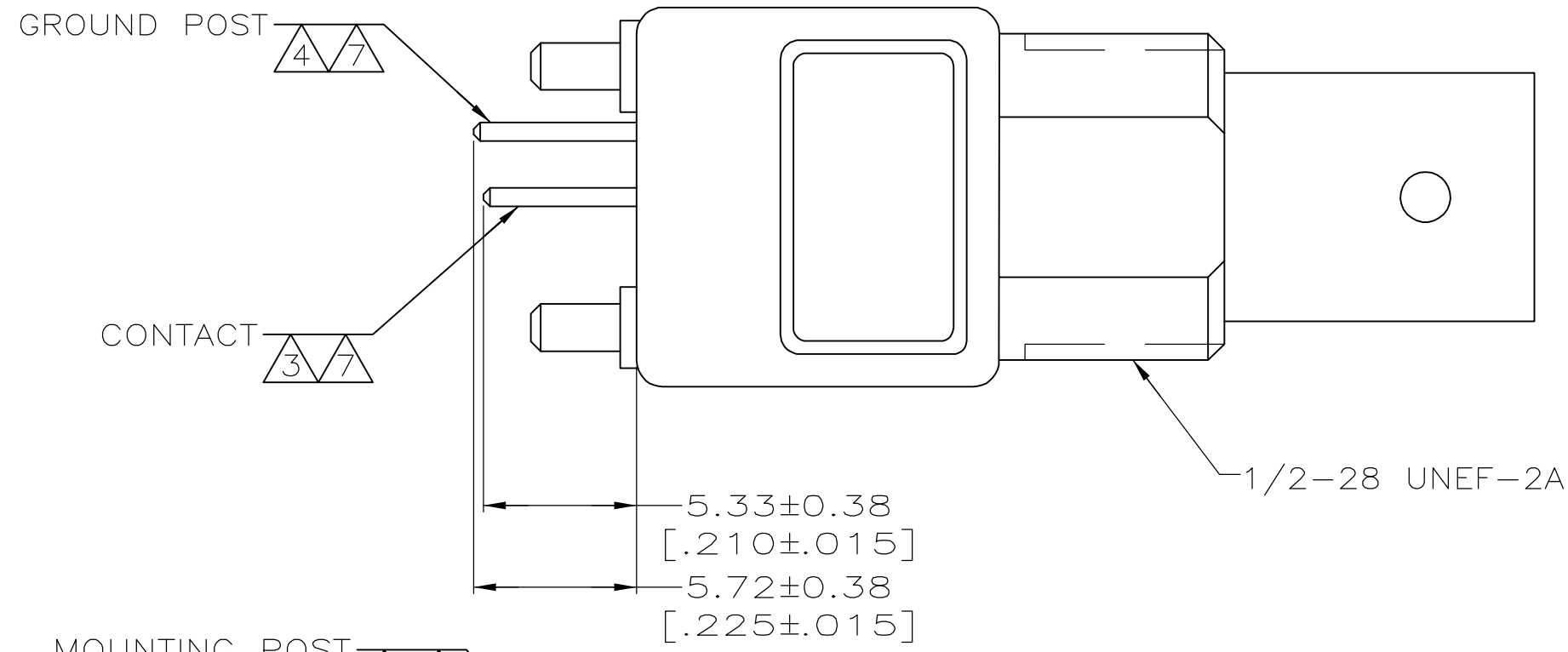
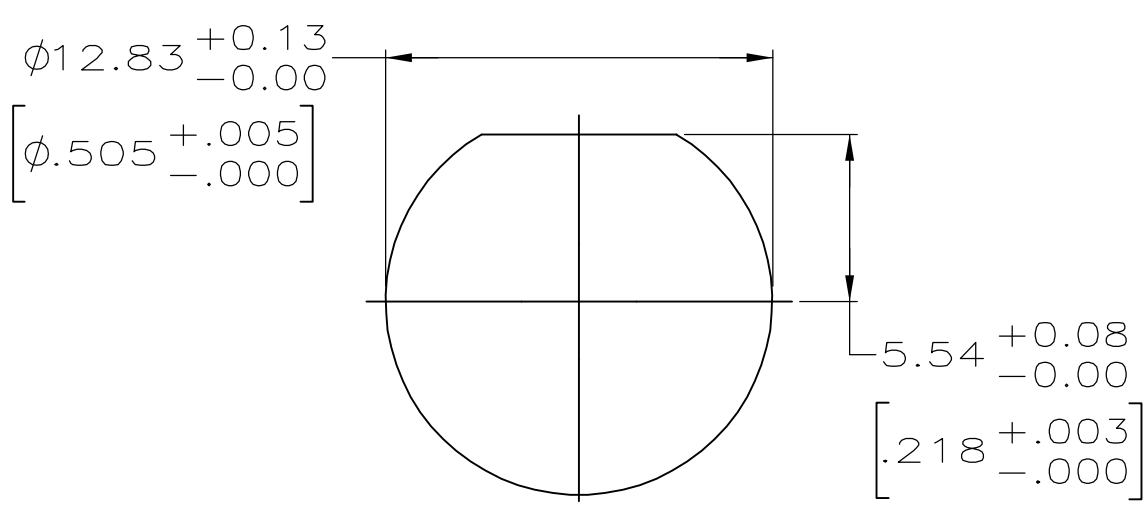
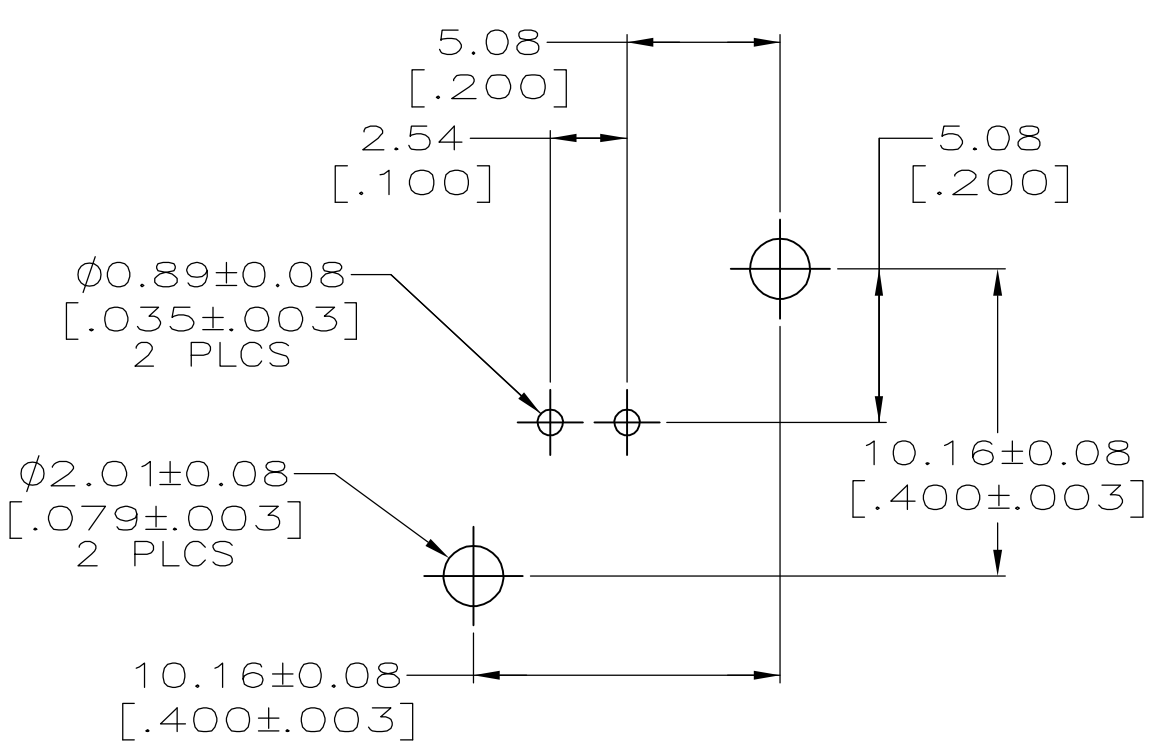
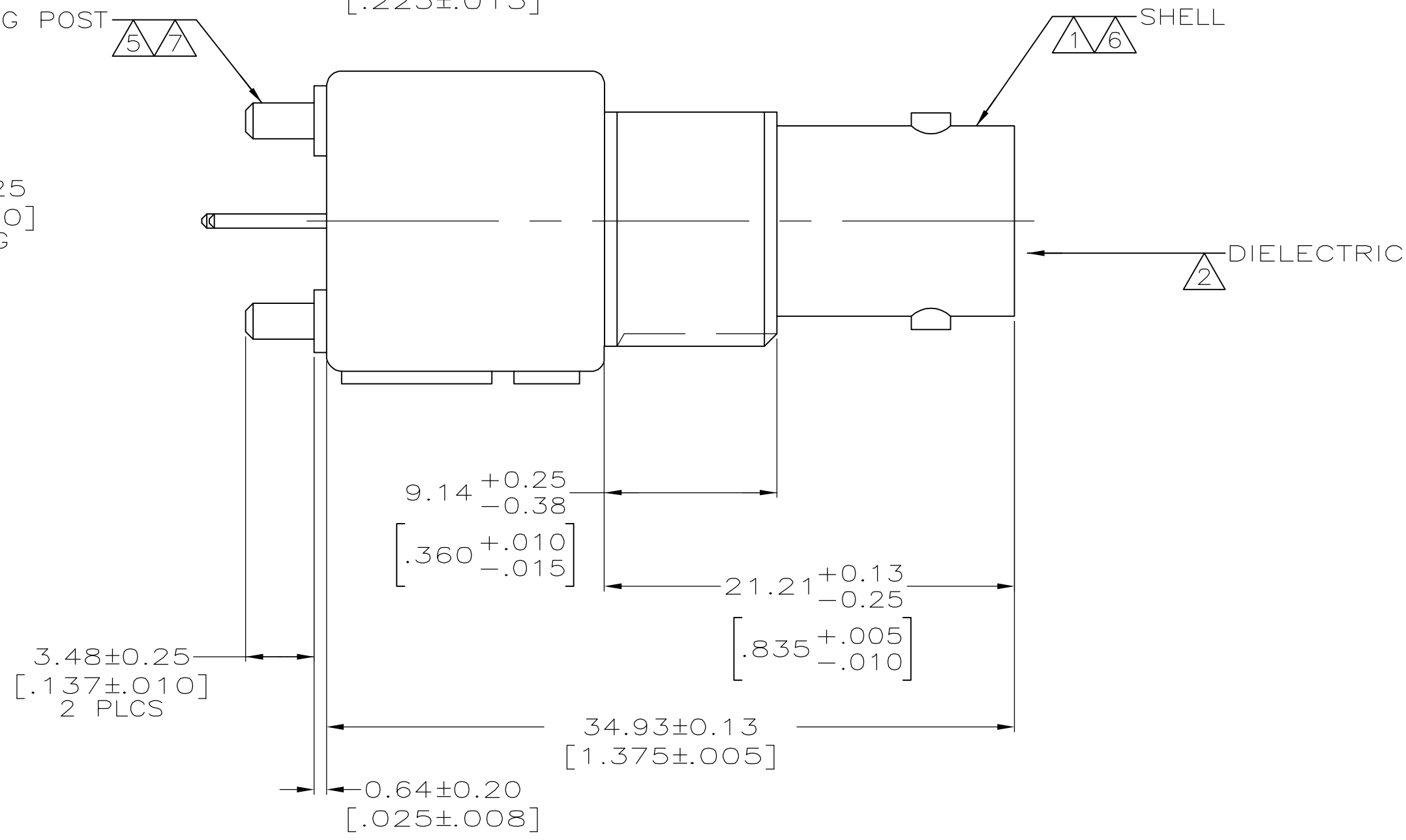
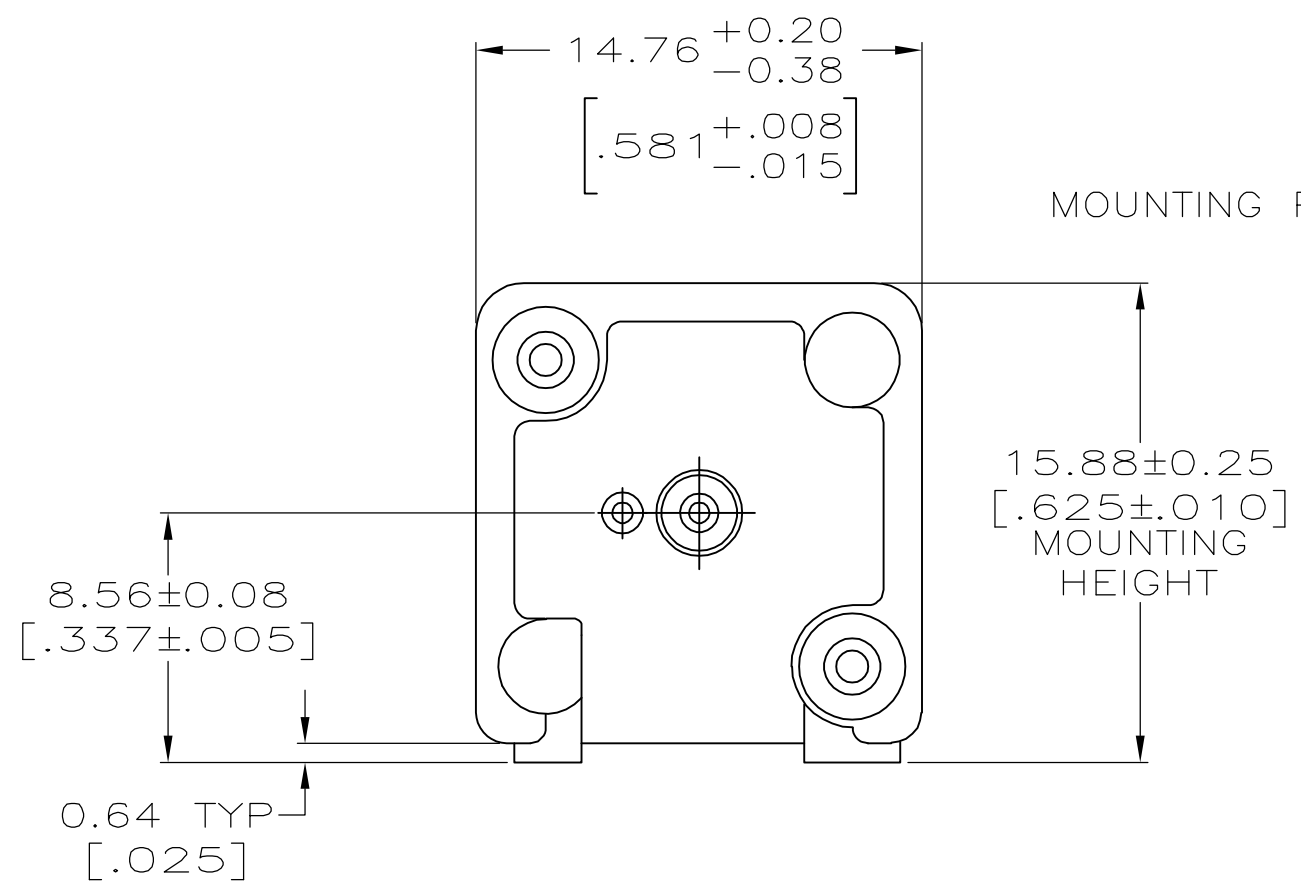


THIS DRAWING IS UNPUBLISHED. RELEASED FOR PUBLICATION
 © COPYRIGHT BY TYCO ELECTRONICS CORPORATION. ALL RIGHTS RESERVED.

LOC	DIST	REVISIONS			
P	LTR	DESCRIPTION	DATE	DWN	APVD
AJ	16				
	A	REVISED PER EC 0514-0150-05	28OCT2005	REH	JL



- ① ZINC DIE CAST PER QQ-Z-363
- ② POLYMETHYLPENTENE PER ASTM-D-1238
- ③ PHOSPHOR BRONZE PER QQ-B-750
- ④ BRASS PER ASTM-B-453
- ⑤ BRASS PER ASTM-B-16
- ⑥ NICKEL PLATE PER QQ-N-290, 3.81µm [.000150] MIN THICKNESS
- ⑦ TIN PLATE PER ASTM-B-545, 3.81µm [.000150] MIN THICKNESS
- 8. USE INSTRUCTION SHEET 408-2769



5415520-1
 PART NUMBER

PCB CONFIGURATION

RECOMMENDED PANEL CUTOUT

THIS DRAWING IS A CONTROLLED DOCUMENT.		DWN G. ATTADIA - 22APR2005	Tyco Electronics Corporation Harrisburg, PA 17105-3608	
DIMENSIONS: mm [INCHES]		CHK J. HAVENER 22APR2005	NAME -	
TOLERANCES UNLESS OTHERWISE SPECIFIED:		APVD J. LIPPERT 22APR2005	PRODUCT SPEC 108-12078	
0 PLC ± -		APPLICATION SPEC -		
1 PLC ± -		SIZE A2		
2 PLC ± -		CAGE CODE 00779		
3 PLC ± -		DRAWING NO C=5415520		
4 PLC ± -		RESTRICTED TO -		
ANGLES ± -		SCALE 4:1		
FINISH SEE NOTES		SHEET 1 of 1		
MATERIAL SEE NOTES		REV A		
WEIGHT -		CUSTOMER DRAWING		

单击下面可查看定价，库存，交付和生命周期等信息

[>>TE Connectivity\(泰科\)](#)