

Type 3622 Series

Key Features

- Low Profile Construction
- Wide Value Range
- Isat up to 30A
- Irms up to 10A
- Rapid Response
- Taped and Reeled
- Available in 4 sizes



The 3622 Series is an innovative design for a high power SMD choke. It combines TE Connectivity quality with low price and high long-term reliability. The layout and profile make it a highly appropriate component for modern industrial equipment, power supplies, bench test instruments, and automotive requirements where long life and high reliability are key design requirements.

Electrical Characteristics - 3622A Series

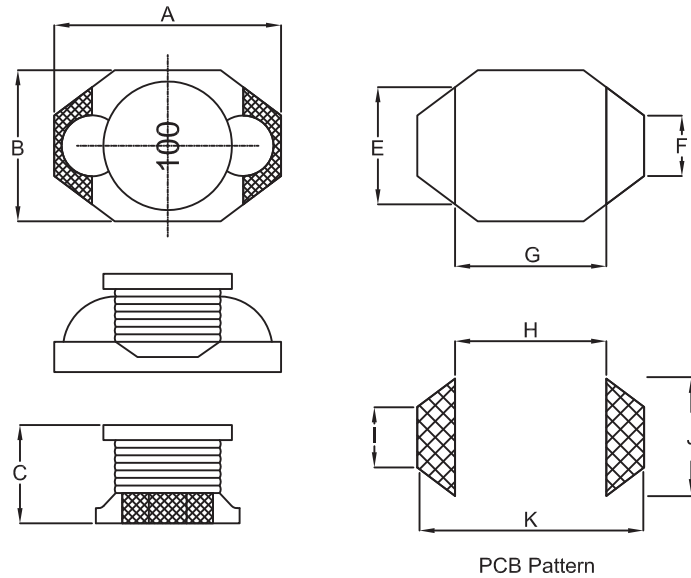
Inductance Code	Inductance (μH)	Tolerance (%)	S.R.F. (MHz) Typ.	R.D.C. (Ω) Max.	Isat (A)	Irms (A)
1R0	1.0	20	130	0.05	2.90	2.90
1R5	1.5	20	115	0.05	2.60	2.80
2R2	2.2	20	90	0.07	2.30	2.40
3R3	3.3	20	70	0.08	2.00	2.00
4R7	4.7	20	50	0.09	1.50	1.50
6R8	6.8	20	45	0.13	1.20	1.40
100	10.0	20	35	0.16	1.10	1.10
150	15.0	20	30	0.23	0.90	1.00
220	22.0	20	20	0.37	0.70	0.80
330	33.0	20	15	0.51	0.58	0.60
470	47.0	20	14	0.64	0.50	0.50
680	68.0	20	11	0.86	0.40	0.40
101	100.0	20	9	1.27	0.31	0.30
151	150.0	20	6	2.00	0.27	0.25
221	220.0	20	5.5	3.11	0.22	0.20
331	330.0	20	5	3.80	0.18	0.16
471	470.0	20	4	5.06	0.16	0.15
681	680.0	20	3	9.20	0.14	0.12
102	1000.0	20	2	13.80	0.10	0.07

Environmental Characteristics - 3622A Series

Storage Temp:	-40°C to +125°C
Operating Temp:	-40°C to +105°C
Rated Current:	DC Current base on temp. rise & ΔL/L=10% typ.
Temp. Rise:	15°C typ.

Type 3622 Series

Dimensions - 3622A Series



Series	A	B	C	E	F	G	H	I	J	K
3622A	6.6 max.	4.45 max.	2.92 max.	3.05 typ.	1.27 typ.	4.32 typ.	4.10 ref.	1.60 ref.	3.00 ref.	7.00 ref.

Electrical Characteristics - 3622B Series

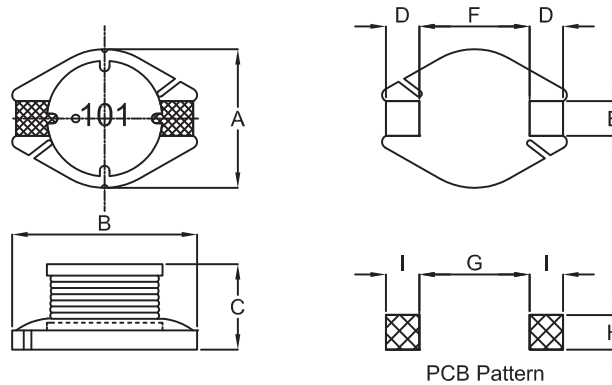
Inductance Code	Inductance (μ H)	Tolerance (%)	R.D.C. (Ω) Max.	I _{rms} (A) Max.	I _{sat} (A) Typ.
3R3	3.3	20	0.022	5.00	5.20
4R7	4.7	20	0.028	4.20	4.00
6R8	6.8	20	0.040	3.40	3.40
100	10.0	20	0.050	3.00	2.80
150	15.0	20	0.070	2.40	2.30
220	22.0	20	0.100	2.00	1.85
330	33.0	20	0.145	1.72	1.54
470	47.0	15	0.200	1.40	1.28
680	68.0	15	0.270	1.20	1.15
101	100.0	15	0.400	1.00	0.92
151	150.0	15	0.560	0.75	0.75
221	220.0	15	0.860	0.62	0.62
331	330.0	15	1.500	0.46	0.50

Environmental Characteristics - 3622B Series

Storage Temp:	-40°C to +125°C
Operating Temp:	-40°C to +105°C
Temp. Rise:	40°C max.

Type 3622 Series

Dimensions - 3622B Series



Series	A	B	C	D	E	F	G	H	I
3622B	8.0±0.2	10.5±0.2	5.0±0.3	2.1±0.2	2.0±0.2	6.0±0.3	5.7 ref.	2.2 ref.	2.4 ref.

Electrical Characteristics - 3622C Series

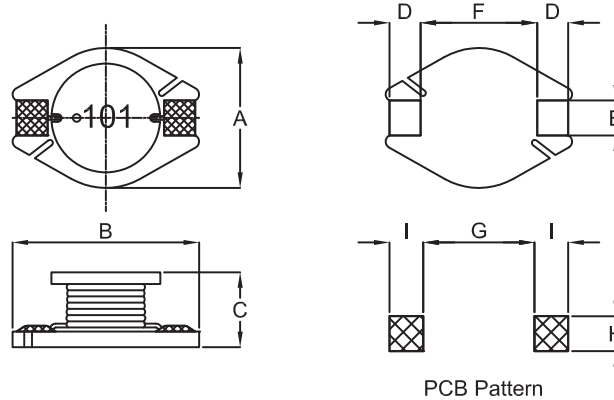
Inductance Code	Inductance (μH) 0.1 V / 100 KHz	Tolerance (%)	R.D.C. (Ω) Max.	S.R.F. (MHz) Typ	I _{rms} (A) typ	I _{sat} (A) max
1R0	1.0	20	0.007	130.0	7.50	9.00
1R5	1.5	20	0.009	90.0	6.50	8.00
2R5	2.5	20	0.012	65.0	5.50	7.00
3R3	3.3	20	0.015	50.0	5.00	6.40
4R7	4.7	20	0.019	45.0	4.50	5.40
6R8	6.8	20	0.034	35.0	3.40	4.50
100	10.0	20	0.045	25.0	2.90	3.70
150	15.0	20	0.060	23.0	2.50	3.00
220	22.0	20	0.095	18.0	2.00	2.50
330	33.0	10	0.120	15.0	1.80	2.00
470	47.0	10	0.190	12.0	1.40	1.60
680	68.0	10	0.240	10.0	1.20	1.40
101	100.0	10	0.330	8.0	1.00	1.20
151	150.0	10	0.590	6.0	0.80	1.00
221	220.0	10	0.780	5.0	0.70	0.80
331	330.0	10	1.150	4.0	0.55	0.60
471	470.0	10	1.700	3.5	0.45	0.50
681	680.0	10	2.600	3.0	0.35	0.40
102	1000.0	10	3.900	2.0	0.30	0.30
152	1500.0	10	6.300	1.9	0.25	0.25
222	2200.0	10	8.200	1.6	0.20	0.20
332	3300.0	10	14.000	1.2	0.16	0.17
472	4700.0	10	17.000	1.1	0.15	0.15
682	6800.0	10	30.000	0.9	0.11	0.12
103	10000.0	10	39.000	0.7	0.10	0.10

Environmental Characteristics - 3622C Series

Storage Temp:	-40°C to +125°C
Operating Temp:	-40°C to +105°C
Temp. Rise:	15°C typ.

Type 3622 Series

Dimensions - 3622C Series



Series	A	B	C	D	E	F	G	H	I
3622C	10.0±0.2	12.7±0.3	5.0±0.3	2.4±0.2	2.5±0.2	7.6±0.3	7.3 ref.	2.8 ref.	3.0 ref.

Electrical Characteristics - 3622D Series

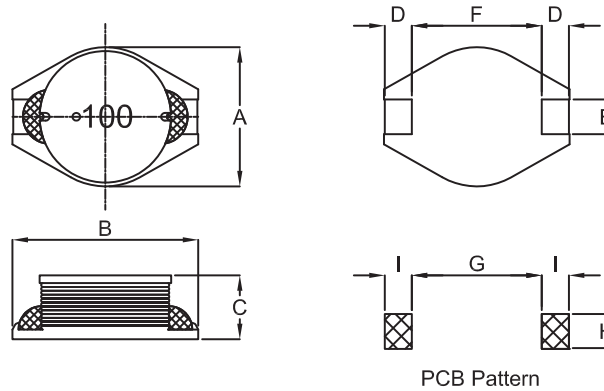
Inductance Code	Inductance (μH)	Tolerance (%)	S.R.F. (MHz) Typ.	R.D.C. (Ω) Max.	I _{rms} (A)	I _{sat} (A)
1R0	1.0	20	100.0	0.004	10.00	30.00
2R2	2.2	20	55.0	0.0068	9.00	22.00
3R3	3.3	20	40.0	0.0098	7.60	17.00
5R6	5.6	20	30.0	0.015	6.40	12.80
100	10.0	20	25.0	0.025	5.30	10.00
150	15.0	20	17.0	0.035	4.30	8.00
220	22.0	20	13.0	0.045	3.60	6.70
330	33.0	20	11.0	0.068	3.00	5.40
470	47.0	20	9.0	0.095	2.50	4.60
680	68.0	20	8.0	0.130	2.10	3.80
101	100.0	10	7.0	0.190	1.70	3.20
151	150.0	10	5.0	0.270	1.40	2.60
221	220.0	10	4.5	0.420	1.10	2.20
331	330.0	10	3.5	0.580	1.00	1.80
471	470.0	10	3.0	0.820	0.80	1.50
681	680.0	10	2.5	1.2	0.70	1.20
102	1000.0	10	2.0	1.8	0.50	1.00

Environmental Characteristics - 3622D Series

Storage Temp:	-40°C to +125°C
Operating Temp:	-40°C to +105°C
Temp. Rise:	40°C max.

Type 3622 Series

Dimensions - 3622D Series



Series	A	B	C	D	E	F	G	H	I
3622D	14.0±0.5	18.3±0.5	6.6±0.5	2.5±0.2	2.6±0.2	13.4±0.3	12.7 ref.	2.9 ref.	3.2 ref.

Reliability Test - A Series

Test Item	Specification	Test Condition
Thermal Shock Test: (Temp Cycle)	$\Delta L/L \leq \pm 30\%$	Room Temp. $\rightarrow -25 \pm 2^\circ\text{C}$ 15 minutes \rightarrow 30 minutes
		Room Temp. $\rightarrow 85 \pm 2^\circ\text{C}$ 15 minutes \rightarrow 30 minutes
		Total: 50 cycles
Humidity Resistance Test:	$\Delta L/L \leq \pm 30\%$	Temperature: $40 \pm 2^\circ\text{C}$ Humidity: 90 ~ 95% Applied Current: Per spec. Time: 500 hours
High Temp. Resistance Test:	$\Delta L/L \leq \pm 30\%$	Temperature: $85 \pm 2^\circ\text{C}$ Applied Current: Per spec. Time: 500 hours

Reliability Test - B Series

Test Item	Specification	Test Condition
Thermal Shock Test: (Temp Cycle)	$\Delta L/L \leq \pm 20\%$	Room Temp. $\rightarrow -25 \pm 2^\circ\text{C}$ 15 minutes \rightarrow 30 minutes
		Room Temp. $\rightarrow 85 \pm 2^\circ\text{C}$ 15 minutes \rightarrow 30 minutes
		Total: 50 cycles
Humidity Resistance Test:	$\Delta L/L \leq \pm 20\%$	Temperature: $40 \pm 2^\circ\text{C}$ Humidity: 90 ~ 95% Applied Current: Per spec. Time: 500 hours
High Temp. Resistance Test:	$\Delta L/L \leq \pm 20\%$	Temperature: $105 \pm 2^\circ\text{C}$ Applied Current: Per spec. Time: 500 hours

Type 3622 Series

Reliability Test - C, D Series

Test Item	Specification	Test Condition
Thermal Shock Test: (Temp Cycle)	$\Delta L/L \leq \pm 20\%$	Room Temp. → $-25 \pm 2^\circ\text{C}$ 15 minutes → 30 minutes
		Room Temp. → $85 \pm 2^\circ\text{C}$ 15 minutes → 30 minutes
		Total: 50 cycles
Humidity Resistance Test:	$\Delta L/L \leq \pm 20\%$	Temperature: $40 \pm 2^\circ\text{C}$ Humidity: 90 ~ 95% Applied Current: Per spec. Time: 500 hours
High Temp. Resistance Test:	$\Delta L/L \leq \pm 20\%$	Temperature: $105 \pm 2^\circ\text{C}$ Applied Current: Per spec. Time: 500 hours

How to Order

3622	A	1R0	K
Common Part	Style	Inductance	Tolerance
3622	A, B, C, or D	See Relevant Table for Inductance Code	K - $\pm 10\%$ L - $\pm 15\%$ M - 20%

TE Connectivity, TE connectivity (logo) and TE (logo) are trademarks.
Other logos, product and Company names mentioned herein may be trademarks of their respective owners.

While TE has made every reasonable effort to ensure the accuracy of the information in this datasheet, TE does not guarantee that it is error-free, nor does TE make any other representation, warranty or guarantee that the information is accurate, correct, reliable or current. TE reserves the right to make any adjustments to the information contained herein at any time without notice. TE expressly disclaims all implied warranties regarding the information contained herein, including, but not limited to, any implied warranties of merchantability or fitness for a particular purpose. The dimensions in this datasheet are for reference purposes only and are subject to change without notice. Specifications are subject to change without notice. Consult TE for the latest dimensions and design specifications.

单击下面可查看定价，库存，交付和生命周期等信息

[>>TE Connectivity\(泰科\)](#)