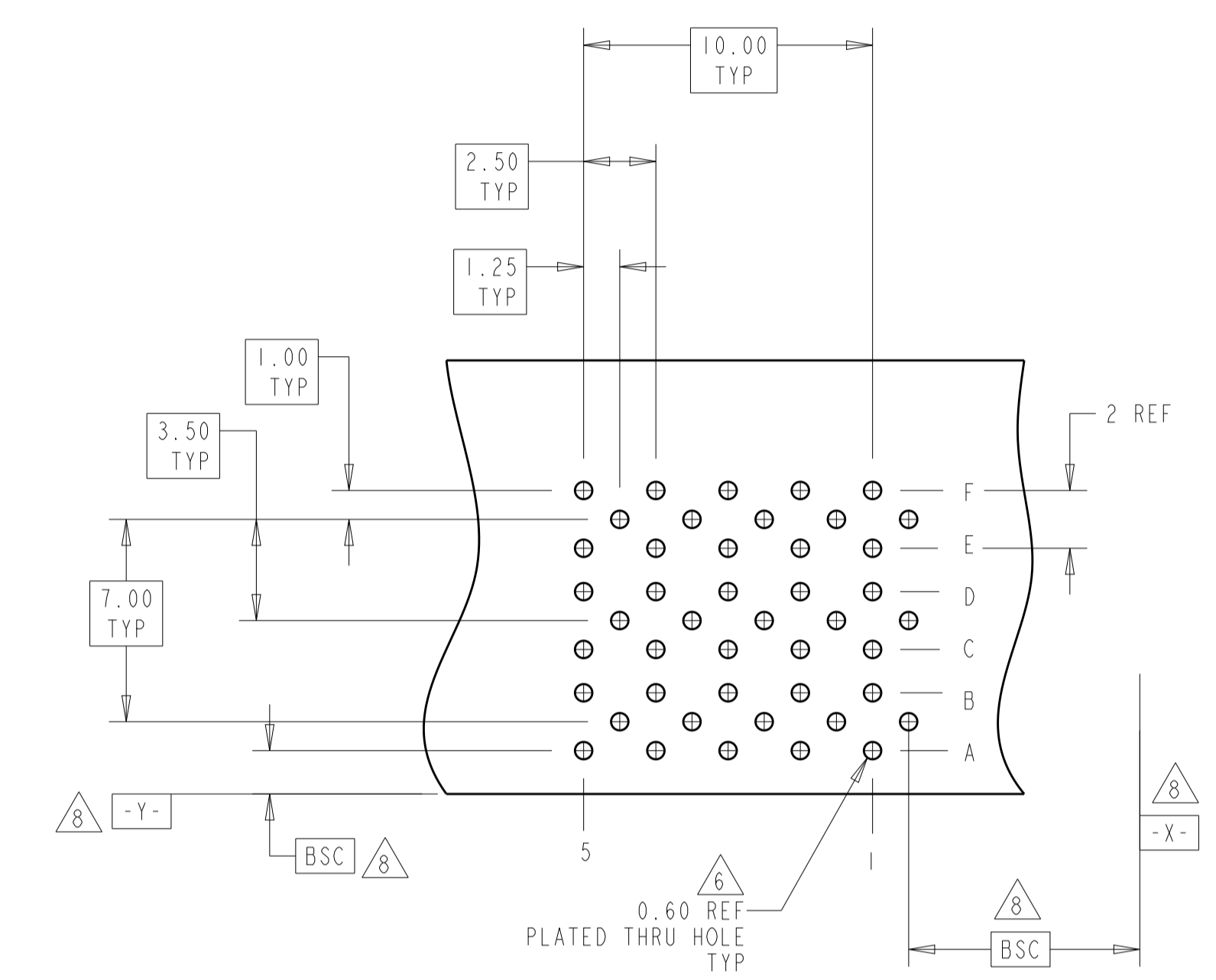
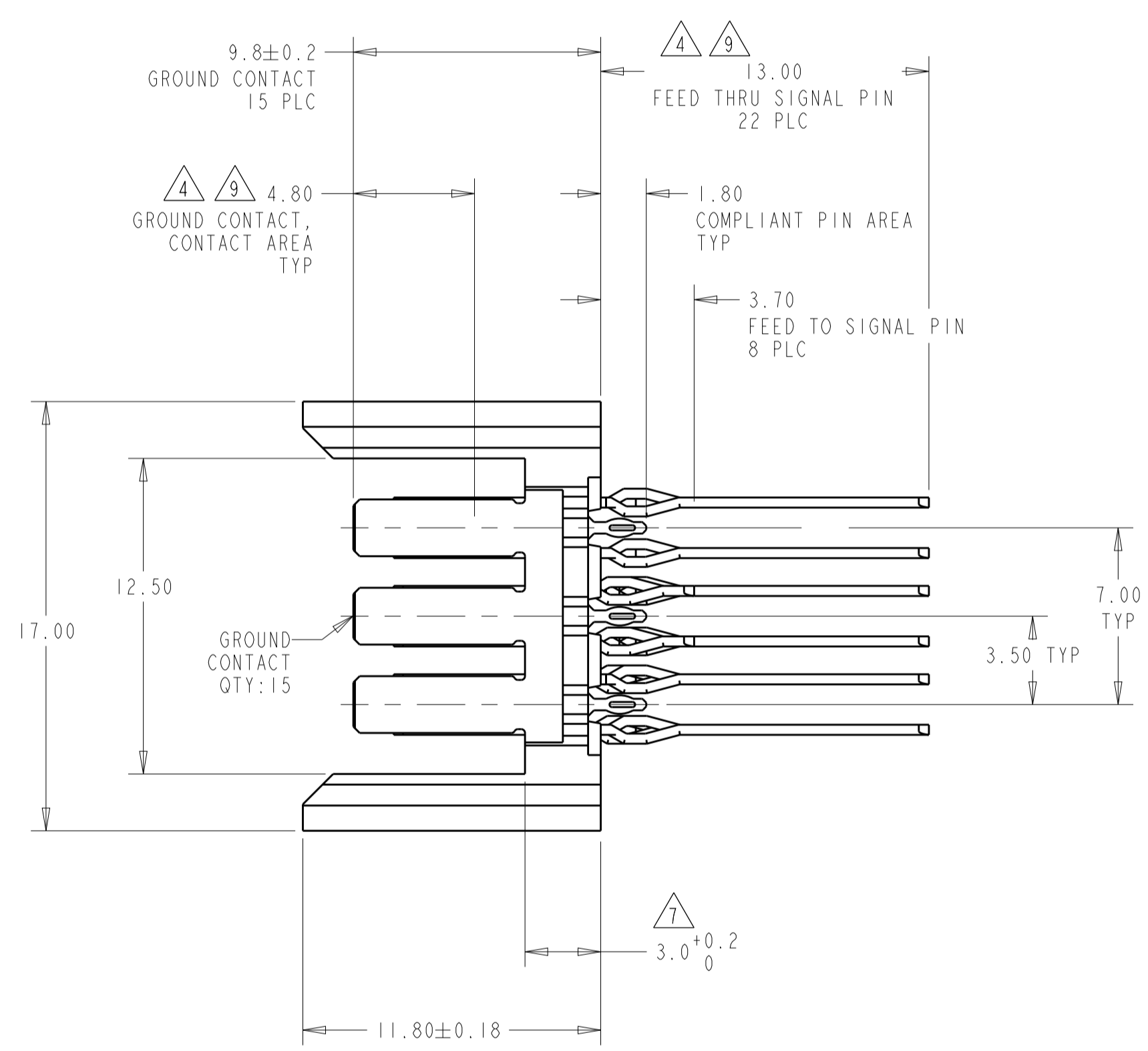
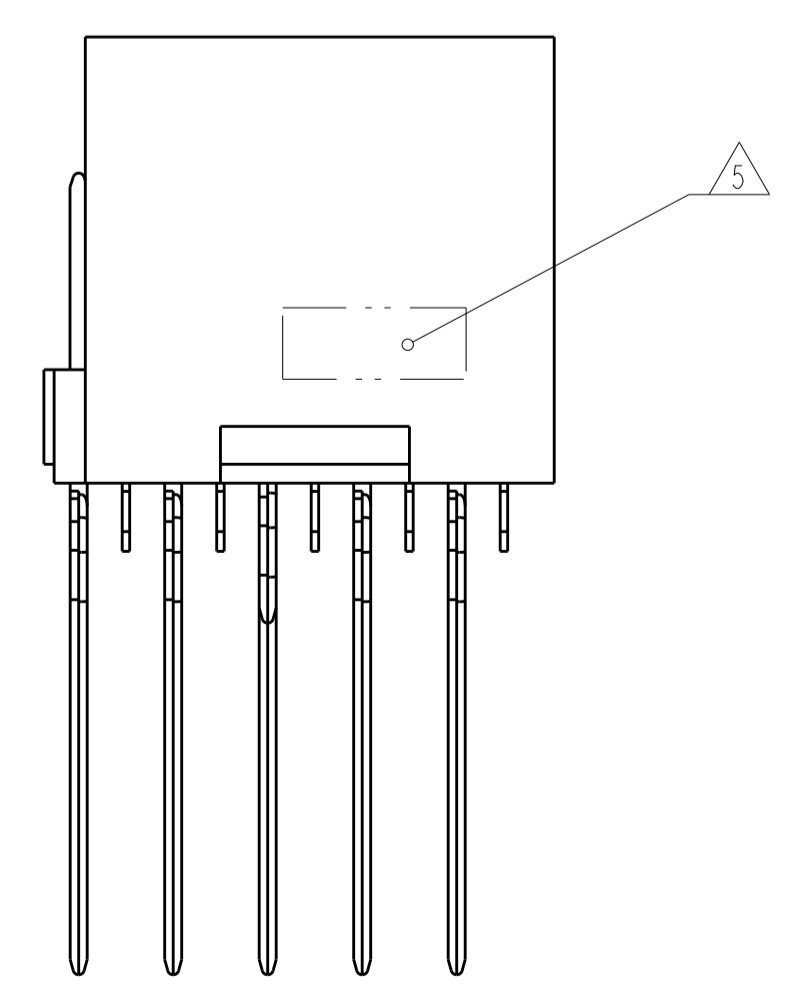
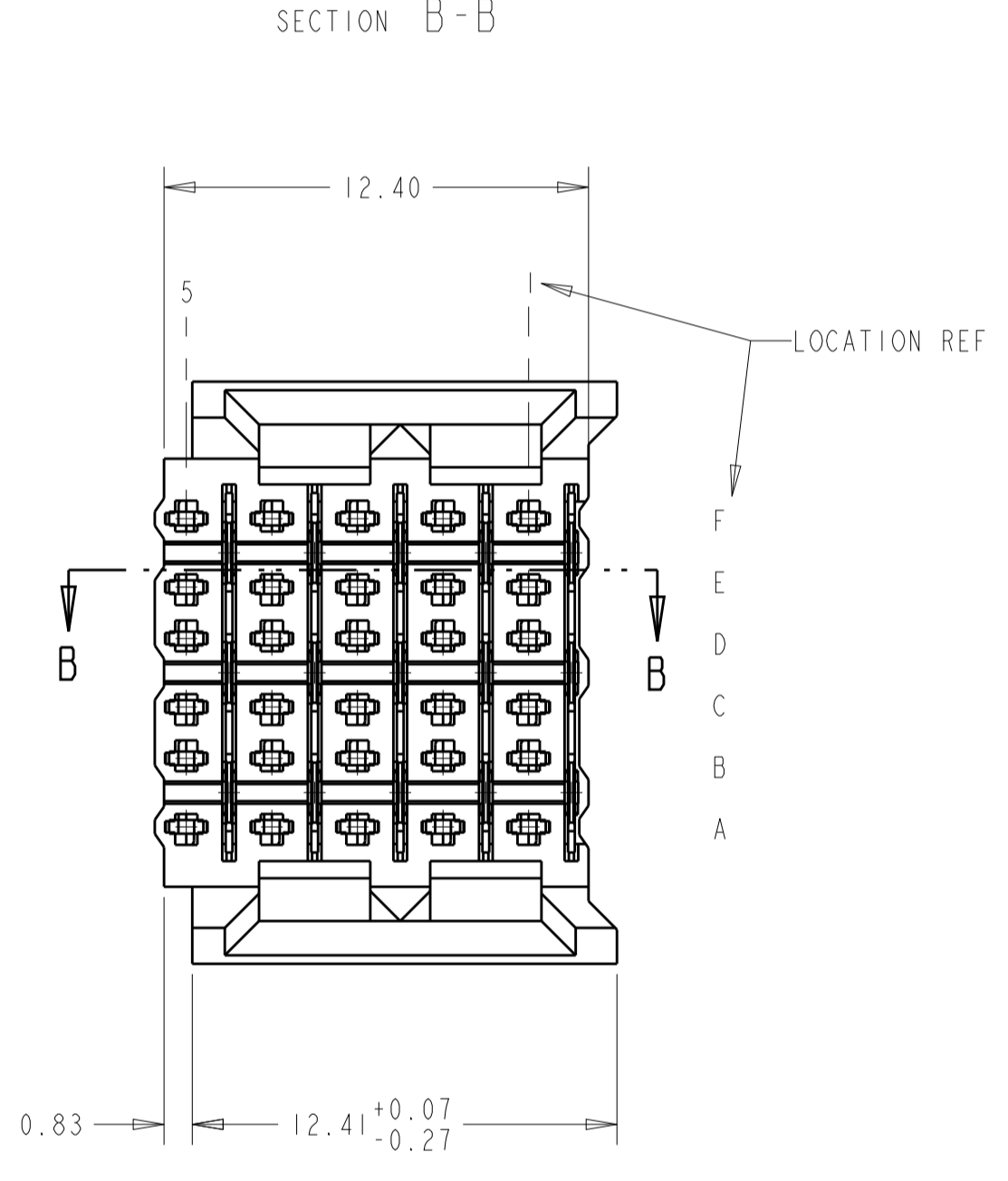
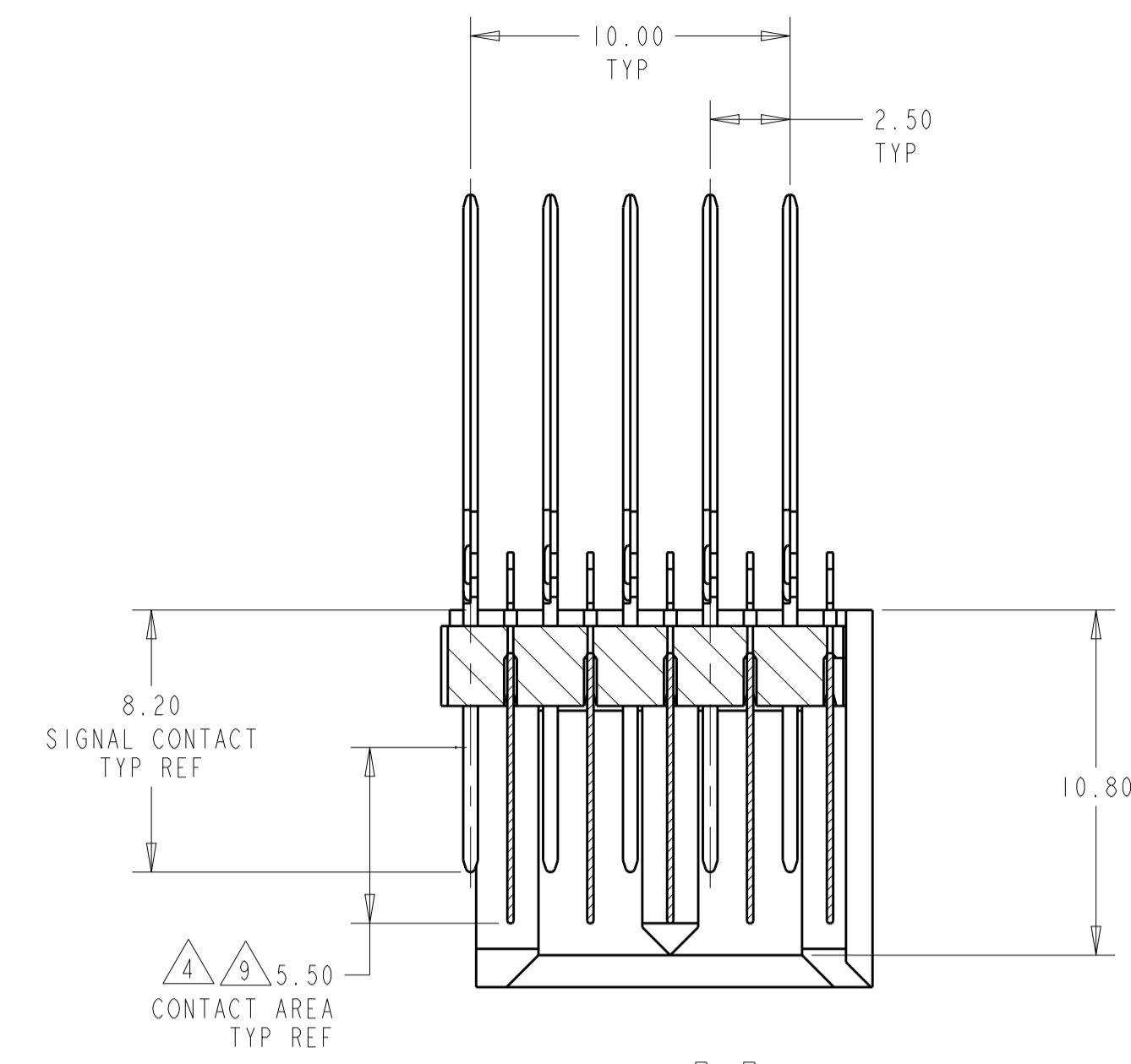
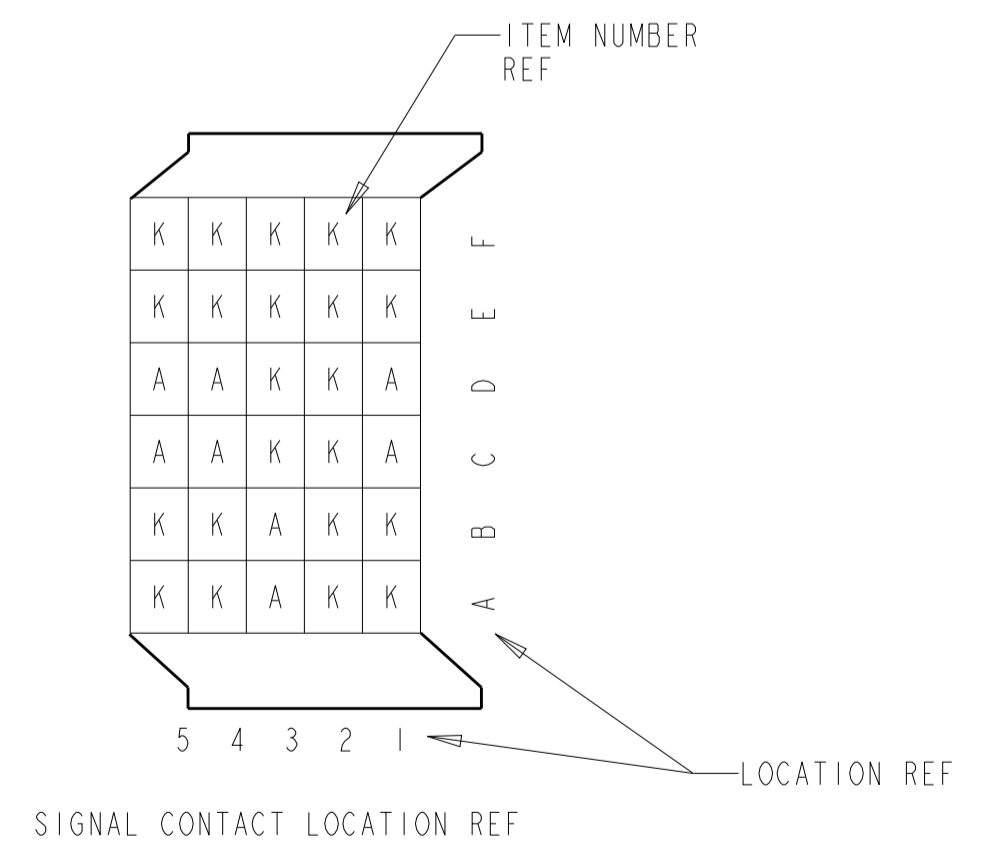


LOC		DIST		REVISIONS			
P	LTN	DESCRIPTION	DATE	DMN	APVD		
A		RELEASED	25SEP2012	-	JE		

- 2 PHOSPHOR BRONZE
- 3 LCP, UL94V-0
- 4 FINISH:
CONTACT MATING AREA MEETS THE PERFORMANCE REQUIREMENTS OF
TE CONNECTIVITY PRODUCT SPECIFICATION 108-1957; BASED ON
TELCORDIA GR-1217-CORE; APPLICATIONS IN UNCONTROLLED ENVIRONMENTS.
COMPLIANT PIN AREA: 0.5µm MIN MATTE TIN OVER BASE PLATING.
- 5 CONNECTOR MARKED WITH PART NUMBER AND DATE CODE
- 6 REFERENCE APPLICATION SPEC 114-13020 FOR RECOMMENDED
PLATED THRU HOLE DIAMETER AND PLATING THICKNESS.
- 7 APPLICATION SEATING HEIGHT TO PRINTED CIRCUIT BOARD
- 8 DATUMS AND BASIC DIMENSIONS ESTABLISHED BY CUSTOMER
- 9 CONTACT AREA LUBRICATED WITH BELLCORE APPROVED LUBRICANT
TECHNICAL REFERENCE: GR-1217-CORE, ISSUE 1, NOVEMBER 1995



RECOMMENDED
PRINTED CIRCUIT BOARD
LAYOUT
COMPONENT SIDE OF PRINTED CIRCUIT BOARD



5120999-1
AMP
PART NUMBER

THIS DRAWING IS A CONTROLLED DOCUMENT.		DMN R. TREA 20FEB2007	TE Connectivity
DIMENSIONS: mm		CHK R. PATTERSON 20FEB2007	
TOLERANCES UNLESS OTHERWISE SPECIFIED:		APVD R. PATTERSON 20FEB2007	NAME HEADER ASSEMBLY, 30 POSITION, FEED THROUGH, 6 ROW, BACKPLANE CONNECTOR, Z-PACK HS3
0 PLC ± 1 PLC ± 2 PLC ±0.13 3 PLC ±0.05 4 PLC ± ANGLES ± FINISH ±		PRODUCT SPEC 108-1957	SIZE A1
MATERIAL HOUSING: 3		APPLICATION SPEC 114-13020	CAGE CODE DRAWING NO 00779 C=5120999
CONTACTS: 2		WEIGHT	RESTRICTED TO
SIGNAL CONTACT: 4		CUSTOMER DRAWING	SCALE 5:1 SHEET 1 OF 1 REV A

单击下面可查看定价，库存，交付和生命周期等信息

[>>TE Connectivity\(泰科\)](#)