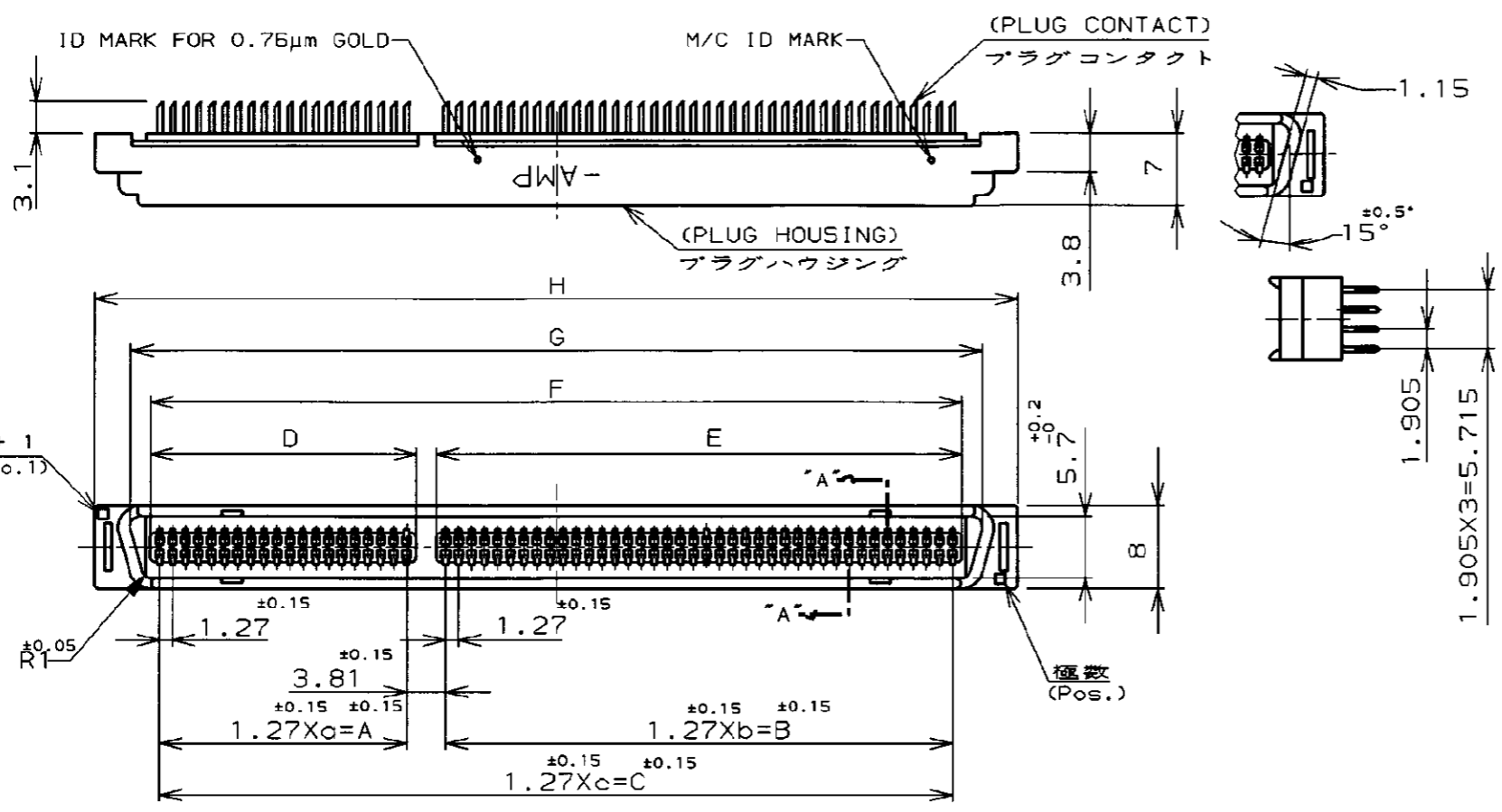


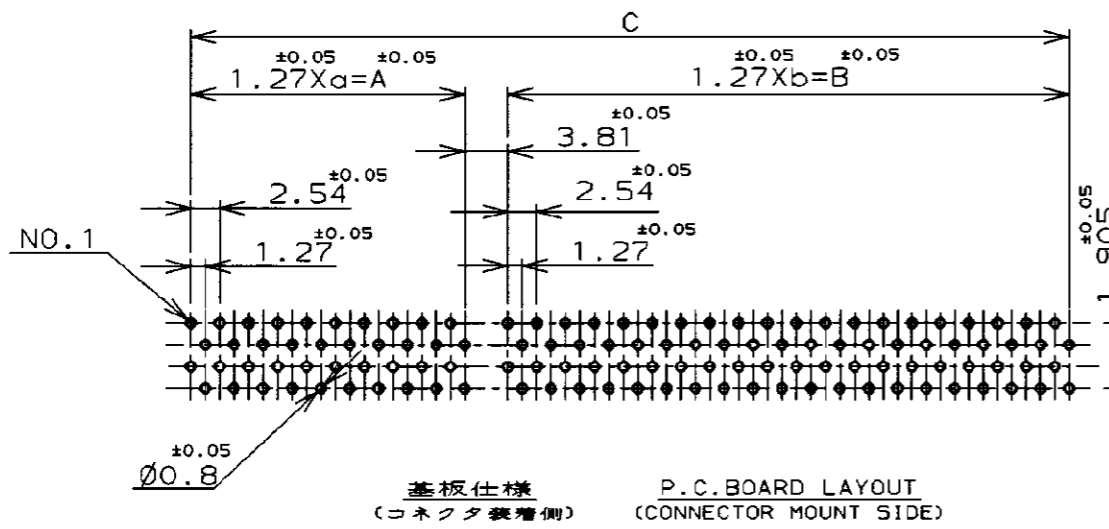
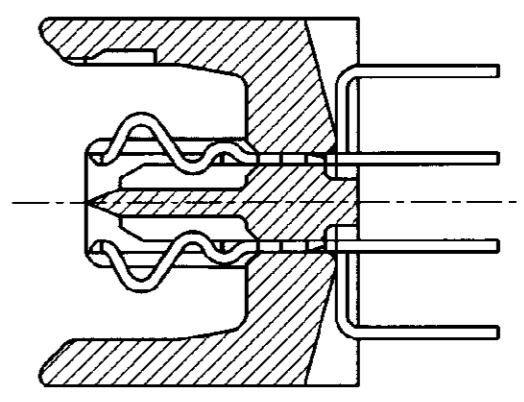
NUMBER C-5917631
METRIC

DIMENSIONS IN MILLIMETERS. DO NOT SCALE PRINT

PRINT DIST



- NOTE:
- ① MATERIAL: HOUSING; THERMOPLASTICS (UL 94V-0) BLACK
CONTACT: COPPER ALLOY
 - ② FINISH: CONTACT: Au AT CONTACT AREA
TIN AT TINE, OVER Ni
 - 3. THESE PRODUCTS WERE COATED BY ANTI-FLUX MIGRATION AGENT.
 - ④ OBSOLETE



④	29	36.83	49	62.23	—	102.87	38.63	64.03	104.67	108.11	115.49	0.76μm	160	2	7
④	19	24.13	39	49.53	—	77.47	25.93	51.33	79.27	82.71	90.09	0.76μm	120	2	5
④	—	—	—	—	49	62.23	—	—	64.03	67.47	74.85	0.76μm	100	2	4
④	—	—	—	—	39	49.53	—	—	51.33	54.77	62.15	0.76μm	80	2	3
④	39	49.53	49	62.23	—	115.57	51.33	64.03	117.37	120.81	128.19	0.3μm	180	—	8
④	29	36.83	49	62.23	—	102.87	38.63	64.03	104.67	108.11	115.49	0.3μm	160	—	7
	29	36.83	39	49.53	—	90.17	38.63	51.33	91.97	95.41	102.79	0.3μm	140	—	-6
	19	24.13	39	49.53	—	77.47	25.93	51.33	79.27	82.71	90.09	0.3μm	120	—	-5
	—	—	—	—	49	62.23	—	—	64.03	67.47	74.85	0.3μm	100	—	-4
	—	—	—	—	39	49.53	—	—	51.33	54.77	62.15	0.3μm	80	—	-3
	—	—	—	—	29	36.83	—	—	38.63	42.07	49.45	0.3μm	60	—	-2
	—	—	—	—	19	24.13	—	—	25.93	29.37	36.75	0.3μm	40	—	5917631-1
	a	A	b	B	c	C	D	E	F	G	H	GOLD PLATING	Pos.	P/N	A

注記:
① 材料:ハウジング;熱可塑性樹脂 (UL 94V-0) 色:黒
 コンタクト:銅合金

鉛フリー
LEAD FREE

② 表面仕上げ;
 コンタクト:全面ニッケル下地めっき
 接触部金めっき、脚部すずめっき

3. 本製品はフラックス上がり防止処理済み

A	REVISED PER ECR-12-013341	28MAR2013	K.M.E.T
O	RELEASED (FJBO-0582-04)	09JUN04	T.K.I.E
LTR	DESCRIPTION	DATE	DWN APVD

WIRE RANGE mm ² (AWG -)		INSULATION DIA mmφ		NAME AMP FH CONNECTOR PLUG (VERTICAL)	
MATERIAL		FINISH		GENERAL TOLERANCE	
①		②		0 <≦ 10 : ±0.2 10 <≦ 30 : ±0.25 30 <≦ 100 : ±0.3 ANGLES : ±3°	
DE. T.KAWAMAE		APP. IENOMOTO		SIZE B	LOC J
CHK. IENOMOTO		APP. IENOMOTO		NUMBER C-5917631	
				SCALE NTS	REV. A
				SHEET 1 OF 1	

CUSTOMER DRAWING

单击下面可查看定价，库存，交付和生命周期等信息

[>>TE Connectivity\(泰科\)](#)