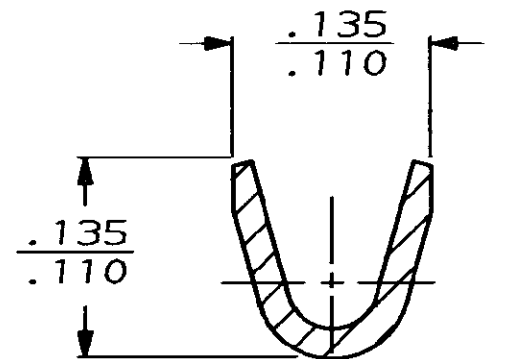
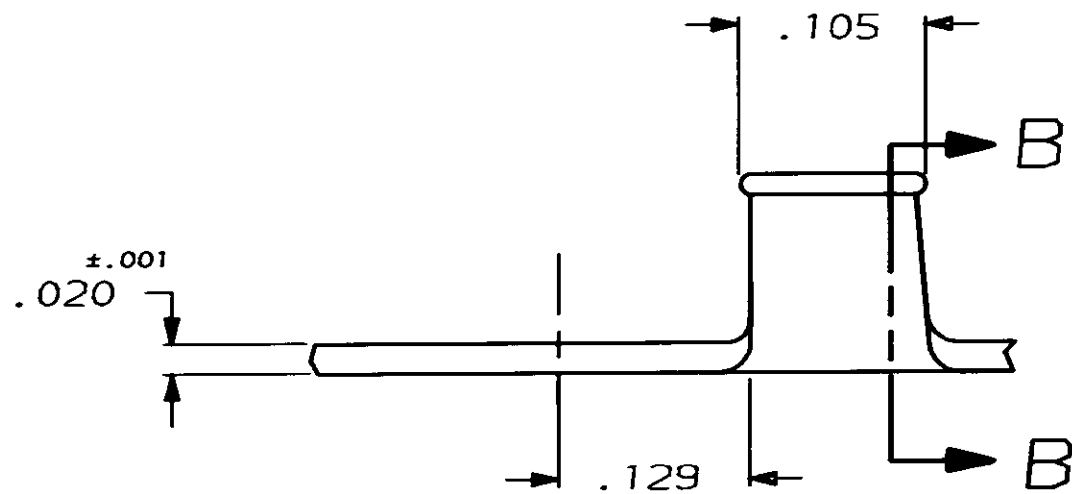
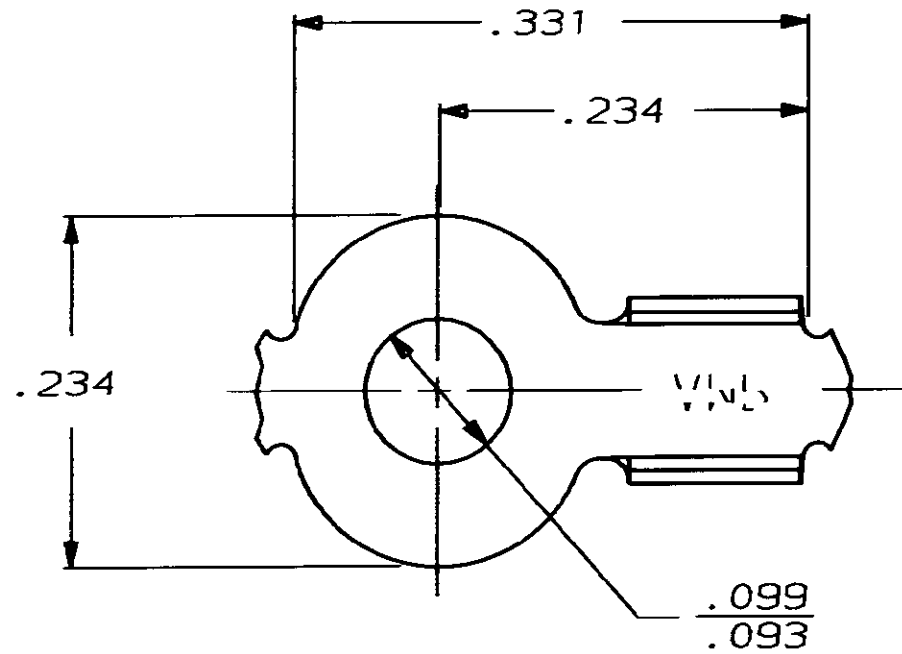



THIS DRAWING IS UNPUBLISHED. RELEASED FOR PUBLICATION ,19 .  
 © COPYRIGHT 19 BY AMP INCORPORATED, HARRISBURG, PA. ALL INTERNATIONAL RIGHTS RESERVED. AMP PRODUCTS MAY BE COVERED BY U.S. AND FOREIGN PATENTS AND/OR PATENTS PENDING.

LOC	DIST	P	F	REVISIONS				DATE	APPROVED
AF	50			ZONE	LTR	DESCRIPTION			
					B	REV PER AF-6785	7/5/90	PF GY	



UNLESS OTHERWISE SPECIFIED DIMENSIONS ARE IN INCHES TOLERANCES ON:		DR <i>J.R.R.</i> 1/7/87	20-16	63457-1
2 PL DEC ± -		CHK <i>G. YETTER</i> 1/12/87	WIRE RANGE	PART NO
3 PL DEC ± .010		APPD <i>R. FRANTZ</i> 1/12/87	 AMP INCORPORATED Harrisburg, Pa. 17105	
ANGLES ± -		APPD <i>T. SHUTTER</i> 1/12/87		
MATERIAL	#2H BRASS	PRODUCT SPEC	NAME	
FINISH	TIN	APPLICATION SPEC	TERMINAL, RING	
		WEIGHT	SIZE	FSCM NO
			<b>B</b>	00779
			SCALE	DRAWING NO
			NTS	63457
				SHEET
				1 OF 1

单击下面可查看定价，库存，交付和生命周期等信息

[>>TE Connectivity\(泰科\)](#)