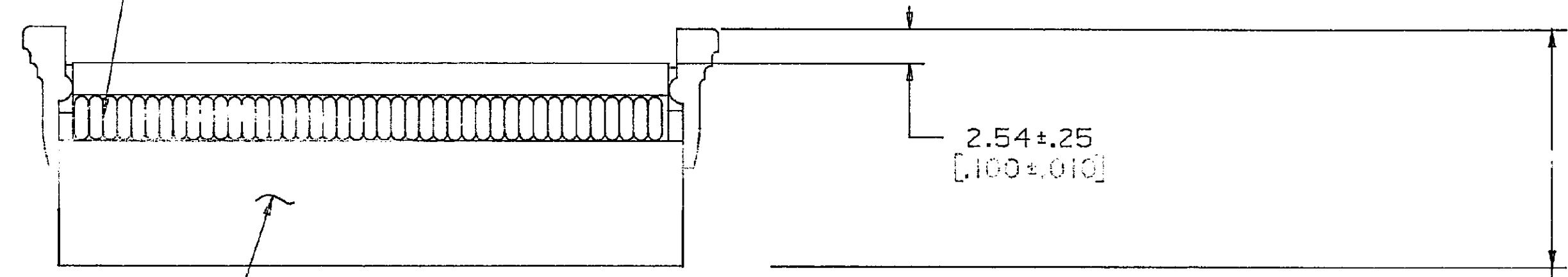


| REV | REVISION RECORD              | DATE      | DWN | APVD |
|-----|------------------------------|-----------|-----|------|
| A   | REVISED PER ECN-0513-0331-05 | 27-Sep-06 | JDP | CWR  |
| A1  | ECR-21-119918                | 5-Nov-21  | E.Z | N.S  |

FEMALE SOCKET TRANSITION CONNECTOR WITHOUT STRAIN RELIEF (SERIES 609-XX00M, 609-XX30, 609-XX00CE AND 609-XX30CE)

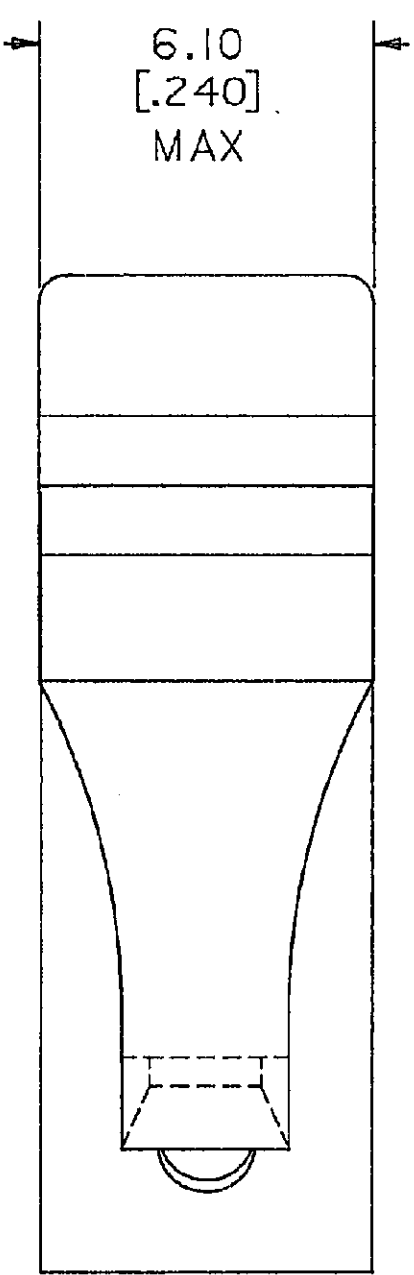
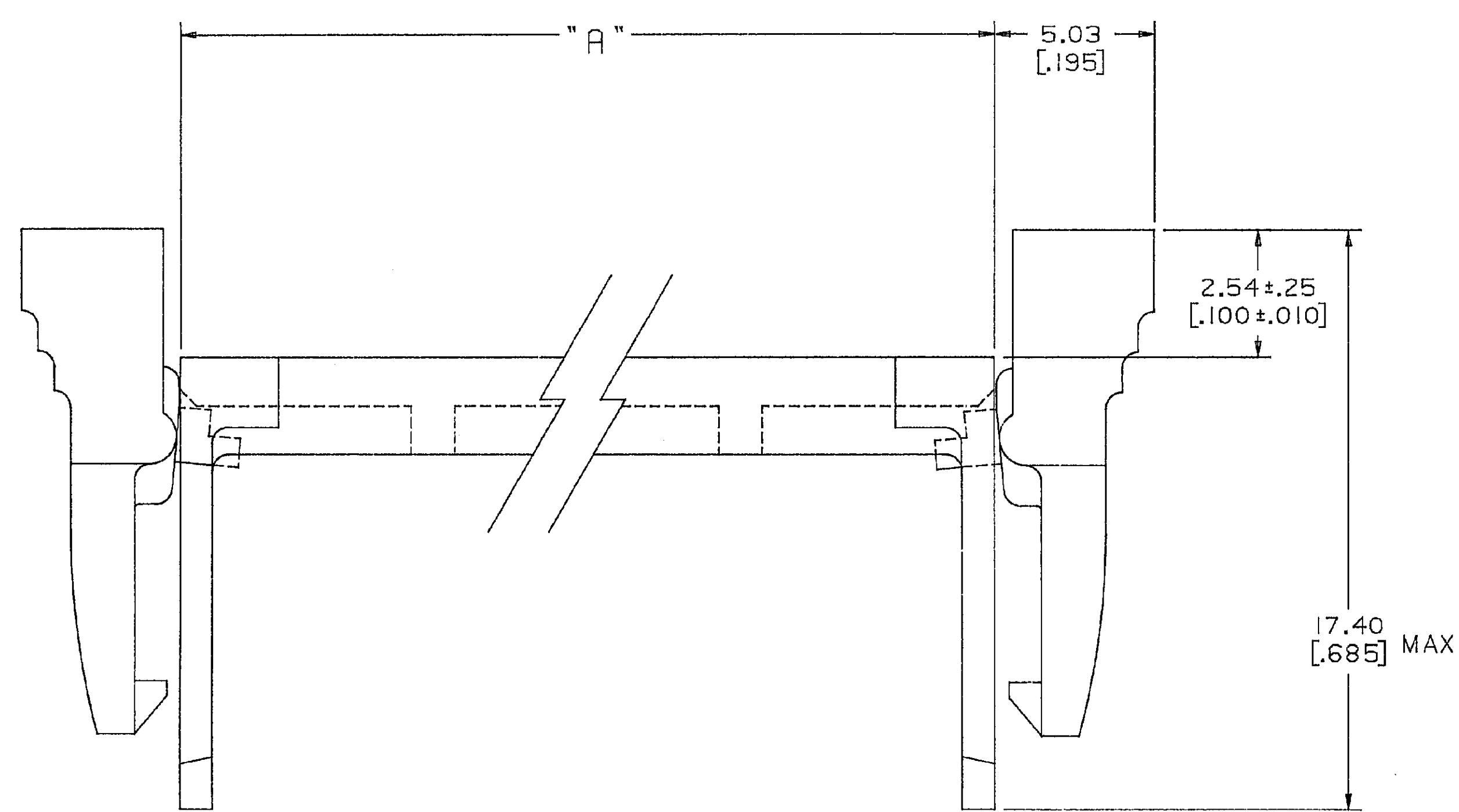


2.54±.25  
[.100±.010]

HEADER: 20.85 MAX.  
[.821]

LOW PROFILE HEADER (SERIES 609-XXX7, 609-XXX8)

TYPICAL MATING APPLICATION



3. supersede parts:

| PN        | supersede parts        |                   |
|-----------|------------------------|-------------------|
|           | strain relief<br>QTY=1 | RETAINER<br>QTY=2 |
| 1437020-2 | 1364804-1              | 1364810-1         |
| 1437020-3 | 1364804-2              | 1364810-1         |
| 1437020-4 | 1364804-3              | 1364810-1         |
| 1437020-5 | 1364804-4              | 1364810-1         |
| 1437020-8 | 1364804-7              | 1364810-1         |

- 1. MATERIAL: STRAIN RELIEF - 30% GLASS-FILLED POLYESTER.  
LATCHES - NYLON.  
COLOR: BLUE
- 2. ASSEMBLE LATCHES TO STRAIN RELIEF AS SHOWN.

|          |              |    |             |             |
|----------|--------------|----|-------------|-------------|
| OBSOLETE | 85.85[3.380] | 64 | 609-0008-64 | 1-1437020-6 |
| OBSOLETE | 80.77[3.180] | 60 | 609-0008-60 | 1-1437020-5 |
| OBSOLETE | 75.69[2.980] | 56 | 609-0008-56 | 1-1437020-4 |
| OBSOLETE | 68.07[2.680] | 50 | 609-0008-50 | 1-1437020-3 |
| OBSOLETE | 60.45[2.380] | 44 | 609-0008-44 | 1-1437020-2 |
| OBSOLETE | 55.37[2.180] | 40 | 609-0008-40 | 1-1437020-1 |
| OBSOLETE | 50.29[1.980] | 36 | 609-0008-36 | 1-1437020-0 |
| OBSOLETE | 47.75[1.880] | 34 | 609-0008-34 | 1437020-9   |
|          | 37.59[1.480] | 26 | 609-0008-26 | 1437020-8   |
| OBSOLETE | 35.05[1.380] | 24 | 609-0008-24 | 1437020-7   |
| OBSOLETE | 29.97[1.180] | 20 | 609-0008-20 | 1437020-6   |
|          | 24.89[.980]  | 16 | 609-0008-16 | 1437020-5   |
|          | 22.35[.880]  | 14 | 609-0008-14 | 1437020-4   |
|          | 17.27[.680]  | 10 | 609-0008-10 | 1437020-3   |
|          | 12.19[.480]  | 6  | 609-0008-06 | 1437020-2   |

DESCRIPTION: FEMALE SOCKET TRANSITION CONNECTOR RETAINER CLIP AND STRAIN RELIEF

| REV | DATE    | QTY | NO.       |
|-----|---------|-----|-----------|
| 3   | 3-31-86 | D   | 1437020-2 |

单击下面可查看定价，库存，交付和生命周期等信息

[>>TE Connectivity\(泰科\)](#)