

THIS DRAWING IS UNPUBLISHED. RELEASED FOR PUBLICATION
 © COPYRIGHT - By - ALL RIGHTS RESERVED.

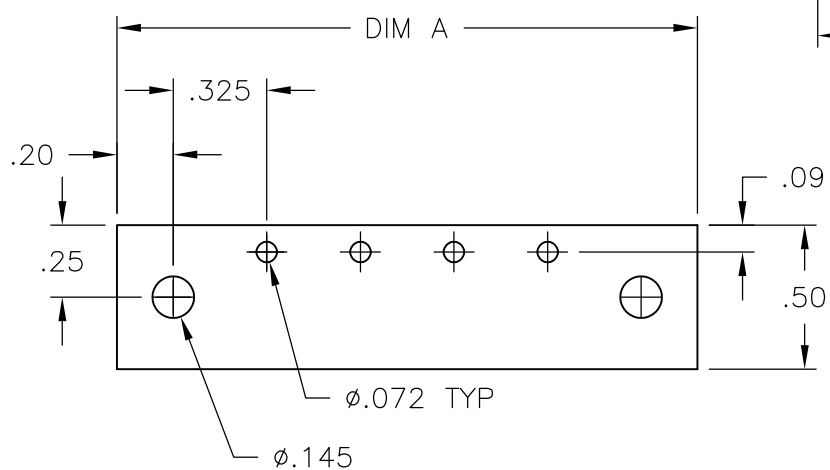
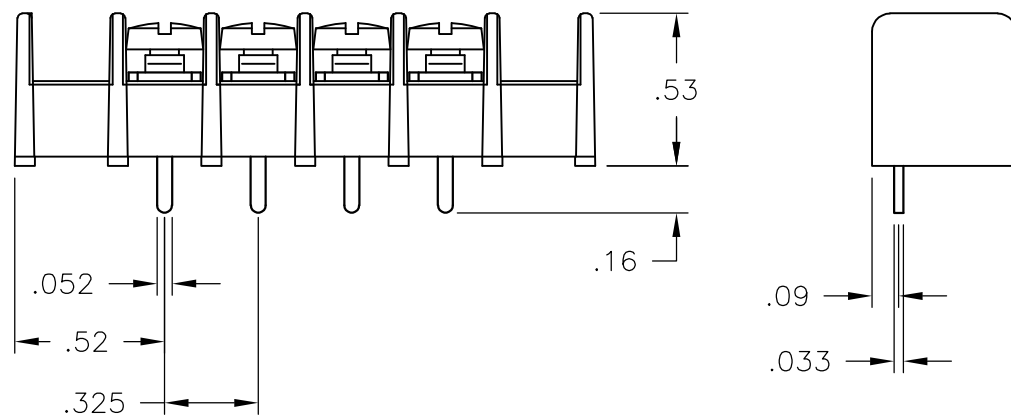
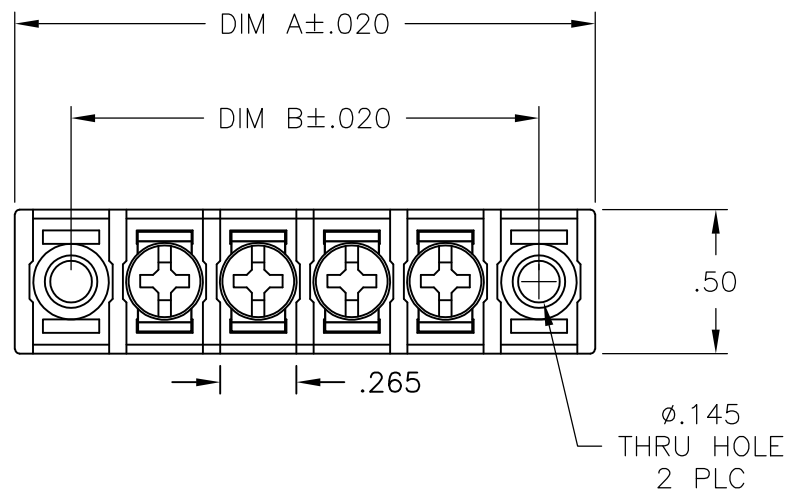
LOC	DIST	REVISIONS					
FT	0	P	LTR	DESCRIPTION	DATE	DWN	APVD
			B1	OBSOLETE PART NUMBERS 15 POSITION AND ABOVE	09APR2015	CR	PS

MATERIALS:
 HOUSING: THERMOPLASTIC PA, UL94V-0, BLACK.
 TERMINALS: BRIGHT TIN PLATED, COPPER ALLOY.
 SCREWS: 6-32, STEEL, ZINC PLATED W/ CLEAR CHROMATE.

ELECTRICAL:
 UL CLASS C: 20A, 150V.
 UL CLASS D: 10A, 300V.
 CSA TYPE B: 20A, 300V.
 CSA TYPE C: 20A, 300V.
 CSA TYPE D: 10A, 300V.
 CSA TYPE E: 20A, 300V.
 WIRE RANGE: 12-22 AWG

MECHANICAL:
 OPERATING TEMP.: -40° TO +105°C
 RECOMMENDED TIGHTENING TORQUE: 7 IN-LBS.

OBSOLETE PARTS.



RECOMMENDED PCB LAYOUT

	9.425	9.815	28	4DB-P207-28	2-1546465-8
	9.100	9.490	27	4DB-P207-27	2-1546465-7
	8.775	9.165	26	4DB-P207-26	2-1546465-6
	8.450	8.840	25	4DB-P207-25	2-1546465-5
	8.125	8.515	24	4DB-P207-24	2-1546465-4
	7.800	8.190	23	4DB-P207-23	2-1546465-3
	7.475	7.865	22	4DB-P207-22	2-1546465-2
	7.150	7.540	21	4DB-P207-21	2-1546465-1
	6.825	7.215	20	4DB-P207-20	2-1546465-0
	6.500	6.890	19	4DB-P207-19	1-1546465-9
	6.175	6.565	18	4DB-P207-18	1-1546465-8
	5.850	6.240	17	4DB-P207-17	1-1546465-7
	5.525	5.915	16	4DB-P207-16	1-1546465-6
	5.200	5.590	15	4DB-P207-15	1-1546465-5
	4.875	5.265	14	4DB-P207-14	1-796658-0
	4.550	4.940	13	4DB-P207-13	1-1546465-3
	4.225	4.615	12	4DB-P207-12	1-1546465-2
	3.900	4.290	11	4DB-P207-11	1-1546465-1
	3.575	3.965	10	4DB-P207-10	1-1546465-0
	3.250	3.640	9	4DB-P207-09	1546465-9
	2.925	3.315	8	4DB-P207-08	1546465-8
	2.600	2.990	7	4DB-P207-07	1546465-7
	2.275	2.665	6	4DB-P207-06	5-1437667-9
	1.950	2.340	5	4DB-P207-05	5-1437667-8
	1.625	2.015	4	4DB-P207-04	5-1437667-7
	1.300	1.690	3	4DB-P207-03	5-1437667-6
	.975	1.365	2	4DB-P207-02	1546465-2
DIM B	DIM A	NO OF POS	CATALOG NUMBER	TE PART NO.	

THIS DRAWING IS A CONTROLLED DOCUMENT.		DWN	S SCHLEGEL	10/20/06	TE Connectivity		
DIMENSIONS: INCHES		CHK	S YODER	10/20/06			
TOLERANCES UNLESS OTHERWISE SPECIFIED:		APVD	S YODER	10/20/06	NAME		
0 PLC	± -	PRODUCT SPEC		4DB SERIES			
1 PLC	± -	APPLICATION SPEC		P207 STYLE			
2 PLC	± .01	SIZE	A3	CAGE CODE	00779	DRAWING NO	C-5-1437667-6
3 PLC	± .005	WEIGHT		RESTRICTED TO		-	
4 PLC	± -	MATERIAL		CUSTOMER DRAWING		SCALE	NTS
ANGLES	± 2'	FINISH		SHEET		1 OF 1	REV
						B1	

单击下面可查看定价，库存，交付和生命周期等信息

[>>TE Connectivity\(泰科\)](#)