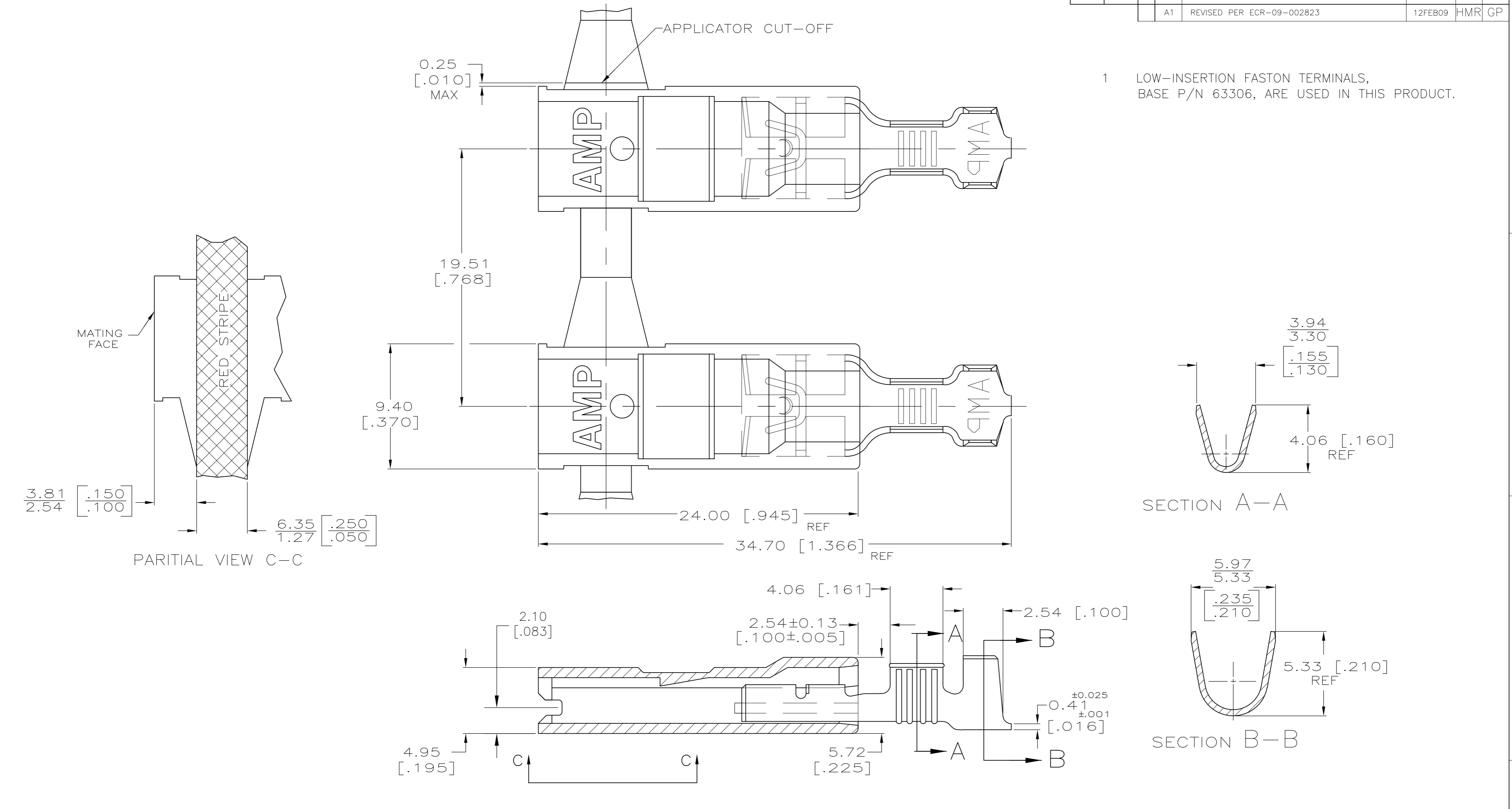


THIS DRAWING IS UNPUBLISHED. RELEASED FOR PUBLICATION
 © COPYRIGHT BY TYCO ELECTRONICS CORPORATION. ALL INTERNATIONAL RIGHTS RESERVED.

LOC	DIST	REVISIONS			
P	LTR	DESCRIPTION	DATE	DWN	APVD
AF	50	A1	REVISED PER ECR-09-002823	12FEB09	HMR GP



1 LOW-INSERTION FASTON TERMINALS, BASE P/N 63306, ARE USED IN THIS PRODUCT.

PLAIN	2.79-4.32 [.110-.170] DIA	0.8-2.0 mm ² [18-14]	0.813 [.032]	1969206-1
TERMINAL FINISH	INSULATION RANGE	WIRE SIZE	MATING TAB THK ±0.025 [±.001]	PART NO
THIS DRAWING IS A CONTROLLED DOCUMENT.		DWN RAGHAVENDRA 27JUN2008	Tyco Electronics Corporation Harrisburg, PA 17105-3608	
DIMENSIONS: INCHES		CHK PORTA GARY 27JUN2008	NAME	
TOLERANCES UNLESS OTHERWISE SPECIFIED:		APVD PORTA GARY 27JUN2008	PRODUCT SPEC	
0 PLC ± -		108-1285		SIZE CAGE CODE DRAWING NO RESTRICTED TO
1 PLC ± -		APPLICATION SPEC		
2 PLC ± -		114-2124		A2 00779 C=1969206
3 PLC ± 0.25 [.010]		WEIGHT -		
4 PLC ± -		CUSTOMER DRAWING		SCALE 5:1 SHEET 1 of 1 REV A1
ANGLES ± -		FINISH		
MATERIAL HOUSING - 6/6 V0 NYLON WITH RED STRIPE TERMINAL - C2600 BRASS		FINISH HOUSING - NAT(WHITE) WITH RED STRIPE TERMINAL - SEE TABLE		

单击下面可查看定价，库存，交付和生命周期等信息

[>>TE Connectivity\(泰科\)](#)