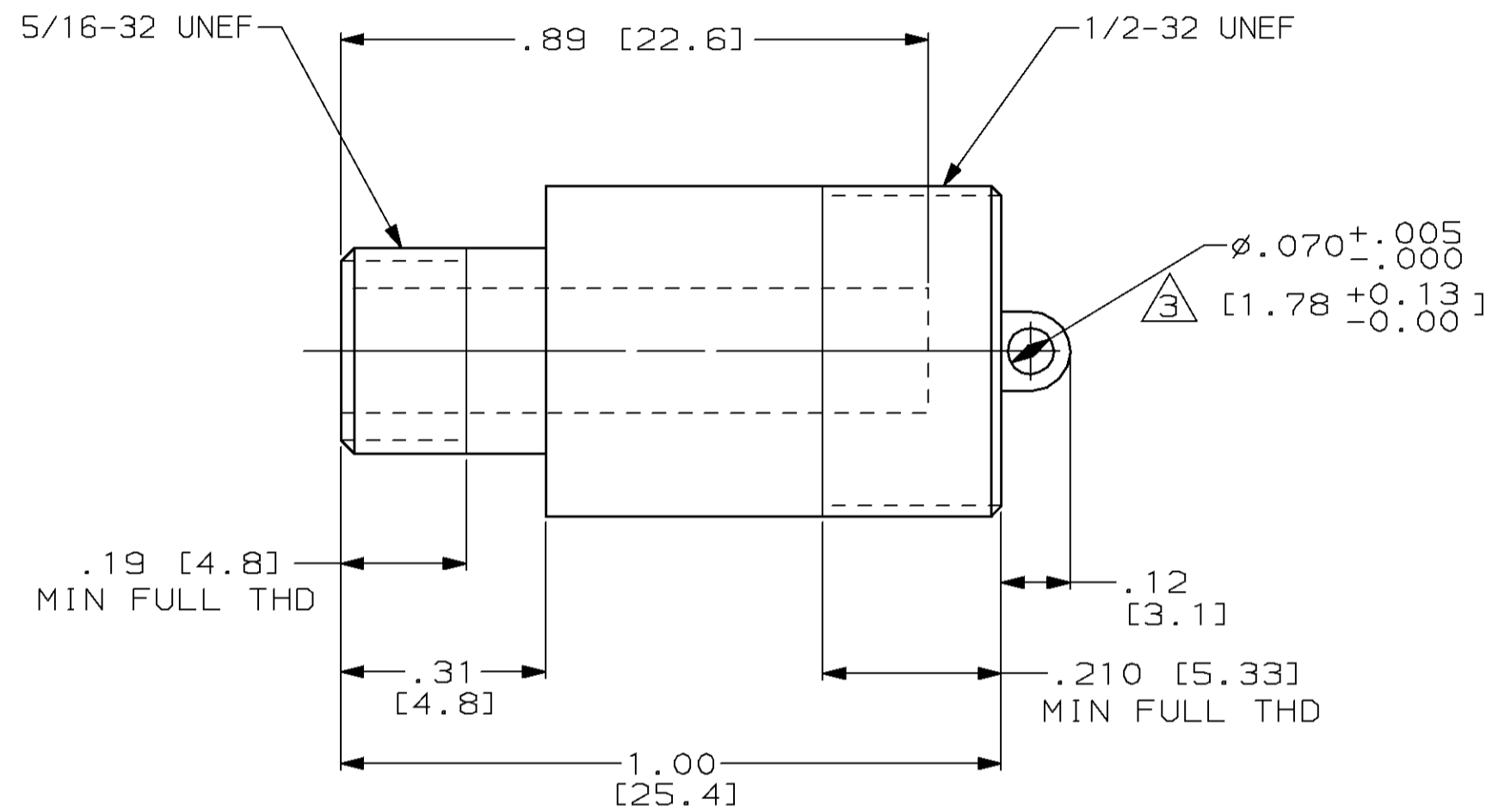
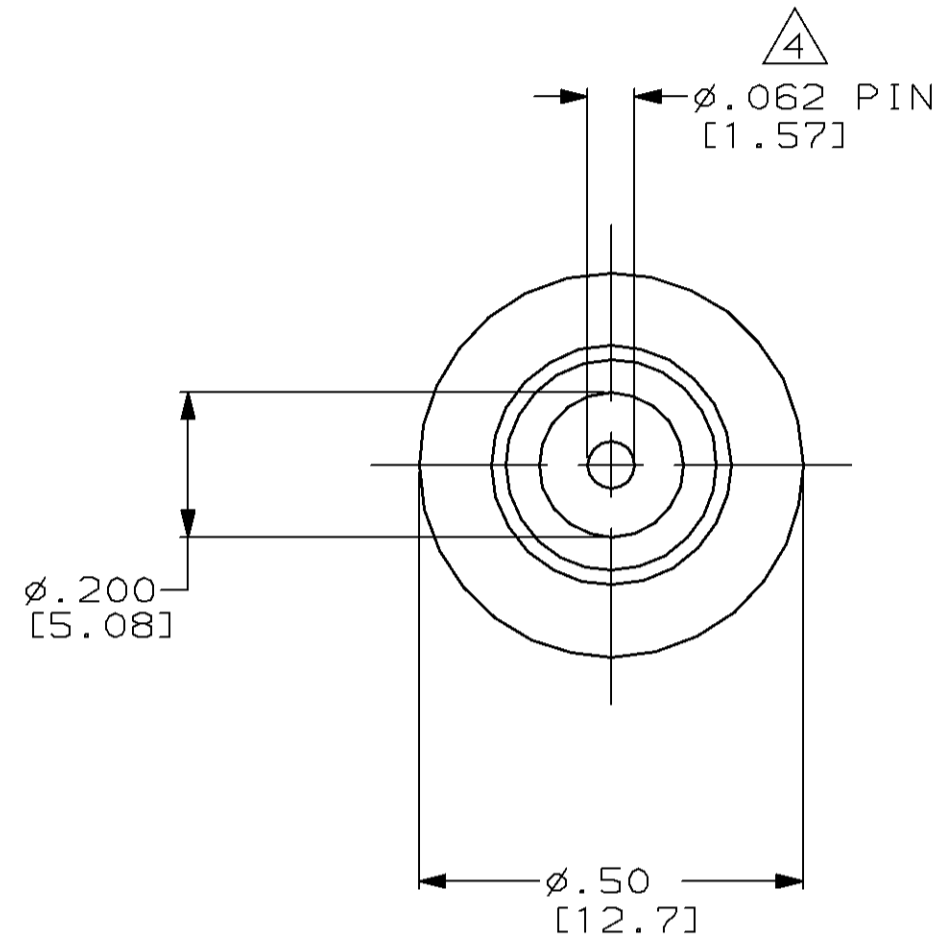


THIS DRAWING IS UNPUBLISHED. RELEASED FOR PUBLICATION
 BY AMP INCORPORATED. ALL RIGHTS RESERVED.

LOC		DIST		REVISIONS			
P	LTR	DESCRIPTION		DATE	DWN	APVD	
B		REV PER 0600-2280-94		6-96	CT	SG	



- RECEPTACLE TO MATE WITH AMP LGH 1/2L LEAD ASSEMBLY AVAILABLE SEPARATELY.
 - SPECIAL TESTING:
 GROUP "A" TEST:
 (1) VISUAL & MECHANICAL
 (2) INSULATION RESISTANCE: 5000 MEGOHM MIN
- $\triangle 3$ EYELET IS SOLDER COATED WITH 63/37 SOLDER.
 $\triangle 4$ PIN CONTACT PLATED WITH GOLD PER MIL-G-45204.

868093-1
 PART NO.

<small>THIS DRAWING IS A CONTROLLED DOCUMENT FOR AMP INCORPORATED. IT IS SUBJECT TO CHANGE AND THE CONTROLLING ENGINEERING ORGANIZATION SHOULD BE CONTACTED FOR THE LATEST REVISION.</small>		DWN C.C. THOMAS 6-25-96	AMP AMP Incorporated Harrisburg, PA 17105-3608
DIMENSIONS: INCHES [mm]		CHK S. GLATFELTER 7-8-96	
		APVD S. GLATFELTER 7-8-96	NAME RECEPTACLE, LGH-1/2L
TOLERANCES UNLESS OTHERWISE SPECIFIED: 0 PLC ±- 1 PLC ±- 2 PLC ±.02 [0.5] 3 PLC ±.005 [0.13] 4 PLC ±- ANGLES ±- FINISH -		PRODUCT SPEC -	SIZE A2
MATERIAL GLASS EPOXY		APPLICATION SPEC -	CAGE CODE 00779
		WEIGHT -	DRAWING NO C-868093
		CUSTOMER DRAWING	SCALE 4:1
			SHEET 1 OF 1
			REV B

单击下面可查看定价，库存，交付和生命周期等信息

[>>TE Connectivity\(泰科\)](#)