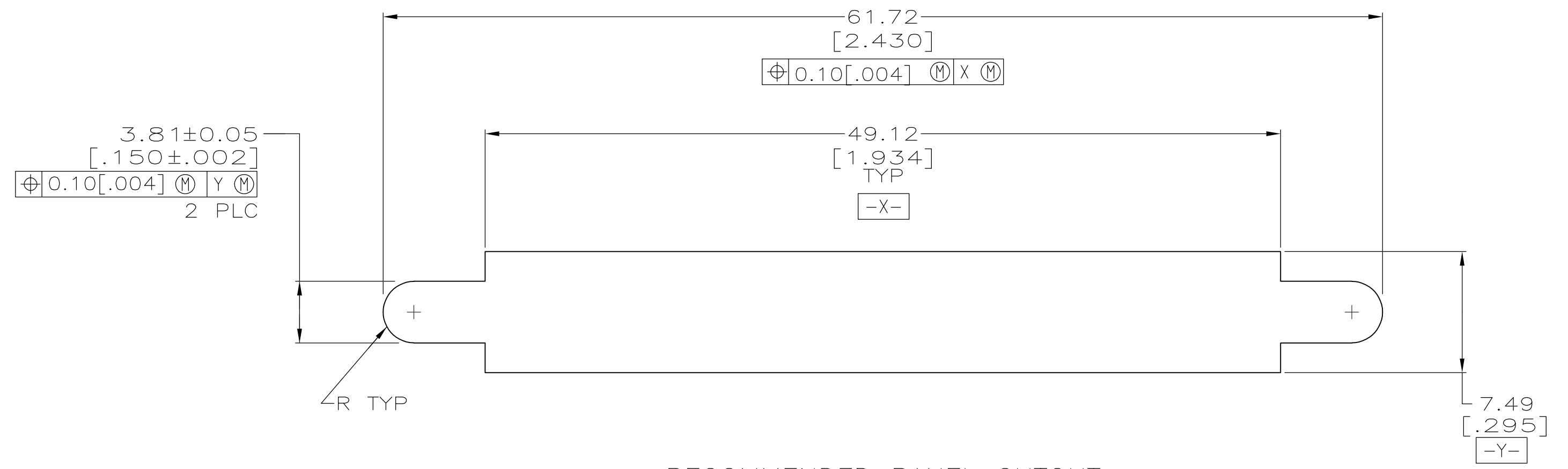
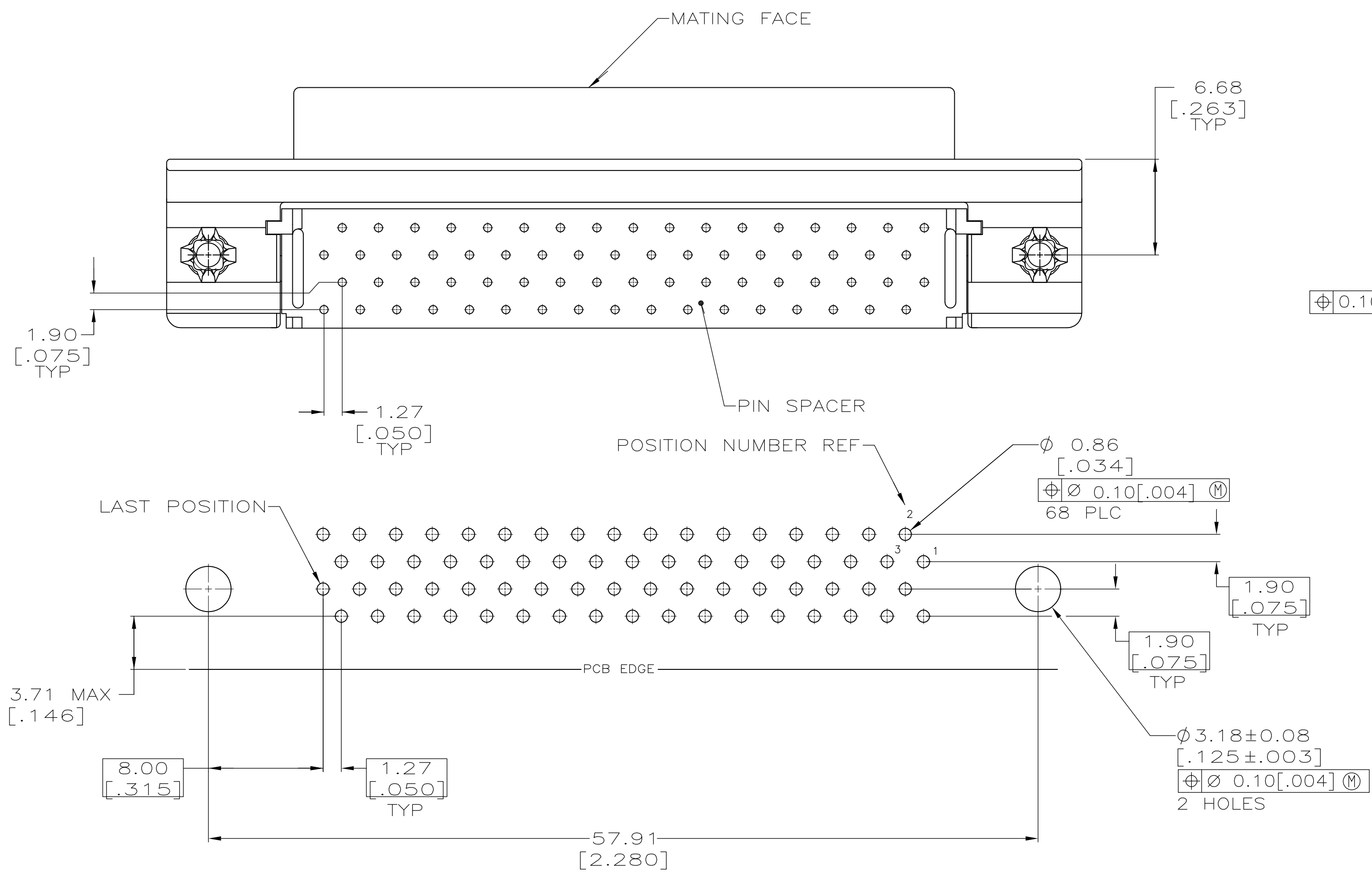


1 MATERIAL
 CONTACTS: PHOSPHOR BRONZE
 HOUSING & PIN SPACER: UL 94V-0 RATED, THERMOPLASTIC, BLACK
 BRACKET: ZINC
 SHELL: CARBON STEEL
 BOARDLOCKS: COPPER ALLOY

2 FINISH
 CONTACTS: EITHER 0.76µm [.000030] MIN GOLD PLATE FOR A LENGTH OF 0.64 [.025] MAX, 0.13 [.005] MIN FROM MATING END OR GOLD FLASH OVER PALLADIUM NICKEL PLATE, 0.76µm [.000030] MIN TOTAL FOR A LENGTH OF 0.64 [.025] MAX, 0.13 [.005] MIN FROM MATING END. 3.81µm [.000150] MIN TIN-LEAD ON OPPOSITE END FOR A LENGTH OF 3.84 [.151] MIN, BOTH OVER 1.27µm [.000050] MIN NICKEL.
 SHELL: 5.08µm [.000200] MIN NICKEL OVER 1.27µm [.000050] MIN COPPER.
 BRACKET: 2.54µm [.000100] MIN NICKEL OVER 5.08µm [.000200] COPPER.
 BOARDLOCKS: 3.81µm [.000150] MIN TIN-LEAD OVER 1.27µm [.000050] MIN NICKEL.



RECOMMENDED PANEL CUTOUT

P.C.BOARD MOUNTING DIMENSIONS
 CONNECTOR SIDE
 P.C.BOARD THICKNESS 2.36±0.23 [.093±.009]

68	787928-7
NO OF POSN	PART NUMBER

THIS DRAWING IS A CONTROLLED DOCUMENT.		DWN C. DORWART 12 DEC 96	Tyco Electronics Corporation Harrisburg, PA 17105-3608	
DIMENSIONS: mm [INCHES]		CHK R. WALTER 19 DEC 96	NAME R. WALTER	
TOLERANCES UNLESS OTHERWISE SPECIFIED:		PRODUCT SPEC 108-1228	RECEPTACLE ASSEMBLY, SHIELDED, RIGHT ANGLE, .050 SERIES, AMPLIMITE	
0 PLC ± -	1 PLC ± -	APPLICATION SPEC 114-40029	SIZE A1	CAGE CODE 00779
2 PLC ± 0.13 [.005]	3 PLC ± -	RESTRICTED TO	SCALE 4:1	SHEET 1 OF 1
4 PLC ± -	ANGLES ± -	REV G	CUSTOMER DRAWING	

单击下面可查看定价，库存，交付和生命周期等信息

[>>TE Connectivity\(泰科\)](#)