

4

3

2

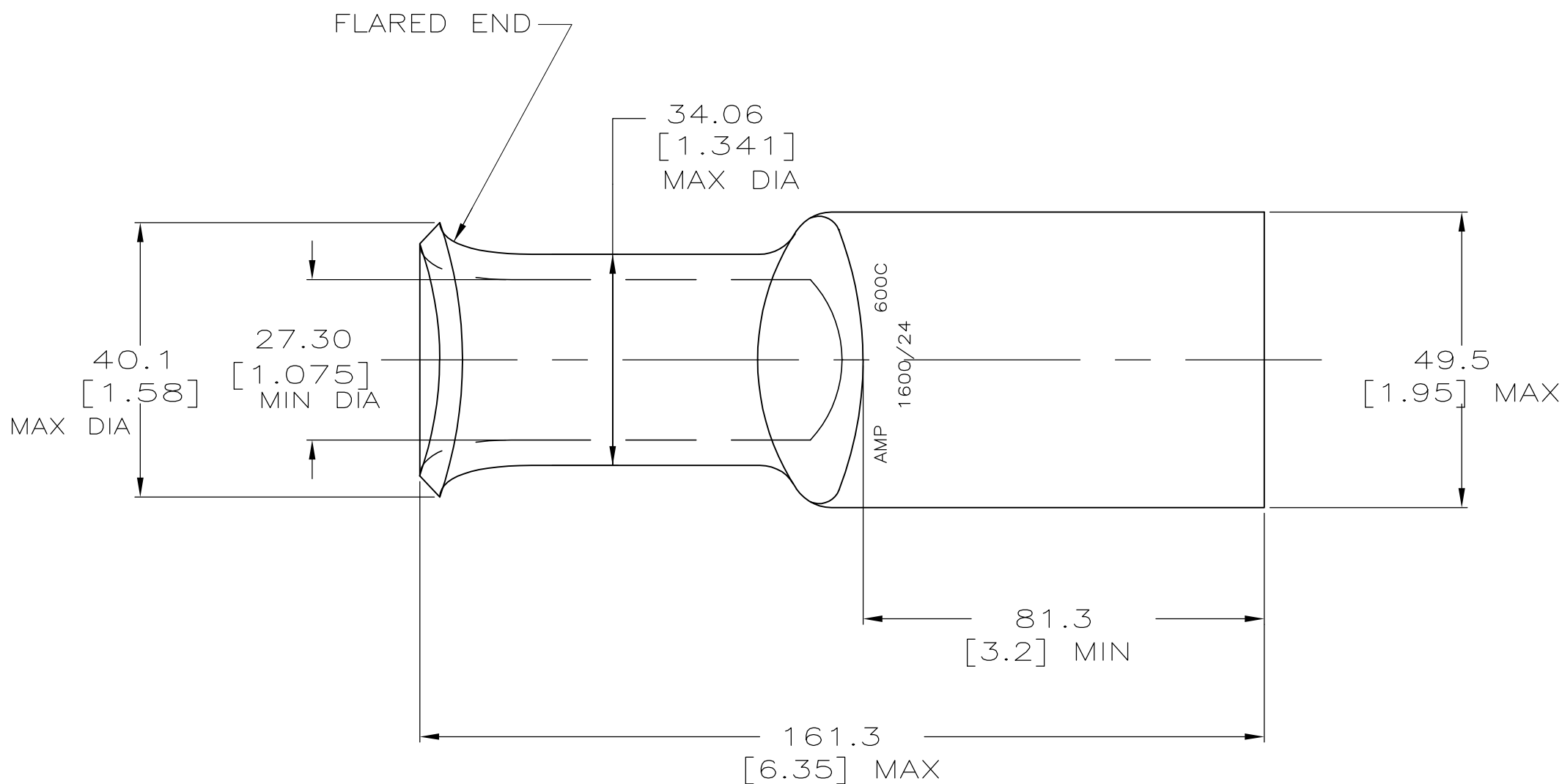
1

THIS DRAWING IS UNPUBLISHED. RELEASED FOR PUBLICATION

© COPYRIGHT BY TYCO ELECTRONICS CORPORATION. ALL INTERNATIONAL RIGHTS RESERVED.

LOC	DIST	REVISIONS					
G	86	P	LTR	DESCRIPTION	DATE	DWN	APVD
		E1		REV PER ECR 09-019195	02SEPT09	JR	RL

1 TONGUE THICKNESS IS 5.59 [.22] MAX.



326222

PART NO.

THIS DRAWING IS A CONTROLLED DOCUMENT.		DWN	JR RUTH	07DEC99	Tyco Electronics Corporation Harrisburg, PA 17105-3608		
DIMENSIONS: mm [INCHES]		CHK	M SPICER	07DEC99			
TOLERANCES UNLESS OTHERWISE SPECIFIED:		APVD	M SPICER	07DEC99	NAME		
0 PLC ± - 1 PLC ± - 2 PLC ± - 3 PLC ± - 4 PLC ± - ANGLES ± -		PRODUCT SPEC		TERMINAL, LONG BARREL, AMPPOWER WIRE SIZE: 600 MCM			
MATERIAL		APPLICATION SPEC		RESTRICTED TO			
COPPER PER ASTM B75		FINISH		SIZE CAGE CODE DRAWING NO A3 00779 C-326222			
TIN PLATE PER ASTM B545		WEIGHT		CUSTOMER DRAWING SCALE 1:1 SHEET 1 OF 1 REV E1			

单击下面可查看定价，库存，交付和生命周期等信息

[>>TE Connectivity\(泰科\)](#)