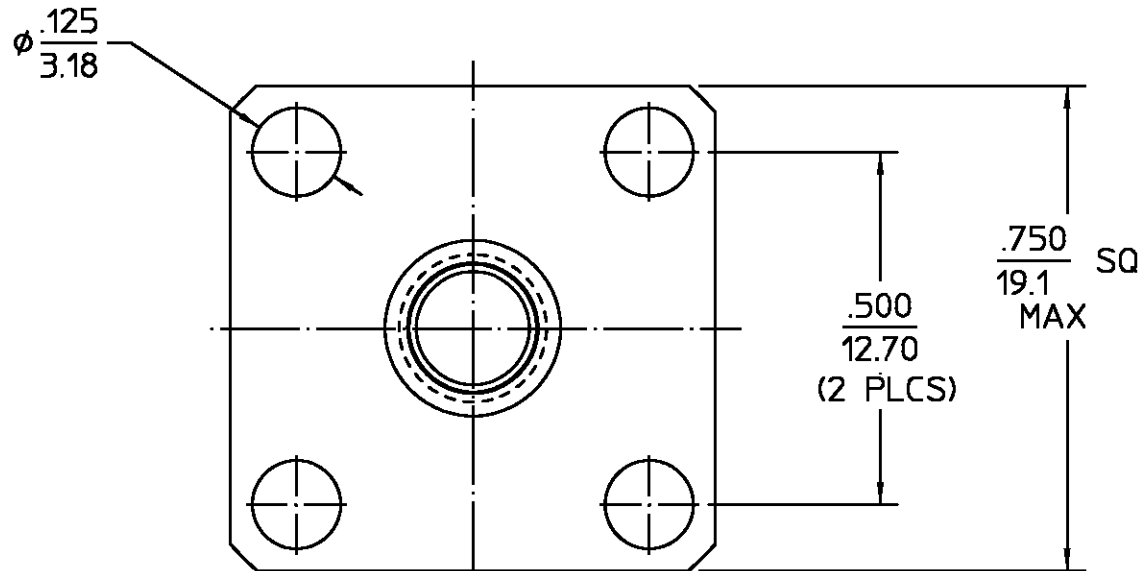


REVISIONS			
REV	DESCRIPTION	DATE	APPROVED
02 ₂	REVISED	K.LE 2-21-97	DCpm 2/21/97



ELECTRICAL
Nominal Impedance (Ohms) <u>50</u>
Frequency Range (GHz) DC to <u>15.0</u>
Volt Rating (VRMS MAX) @ Sea Level <u>335</u>
VSWR <u>1.05 + .008f(GHz)</u> @5-12.4 GHz <u>1.09 +.009f(GHz)</u> @12.4-15.0 GHz
Insertion Loss (dB MAX) <u>.18 @ 9 GHz</u>
RF Leakage (dB MIN) <u>-65 dB @2-3 GHz</u>
Corona, 70,000 Ft (VRMS MIN) <u>250</u>
Dielectric Withstanding Voltage (VRMS MIN) @ Sea Level <u>1,000</u>
Contact Resistance (Milliohms MAX) Center Contact <u>4.1</u> Outer Contact <u>2.2</u>
RF High Potential @ Sea Level (VRMS MIN @ 5 MHz) <u>1,000</u>
LR.(Megohms MIN) <u>5,000</u>

MECHANICAL
Interface Dimensions MIL-STD-348A, Fig. OSM 310-2, OST 313-2
Recommended Mating Torque 7-10(OSM), 4-6(OST) IN-LBS
Mating Characteristics: Insertion (MAX Lbs) <u>3.0(OSM), 2.0(OST)</u> Withdrawal (MIN Oz) <u>1.0(OSM), 2.0(OST)</u>
Force to Engage and Disengage (In-Lbs MAX) <u>2.0</u>
Center Contact Captivation Axial (Lbs) <u>6.0</u> Radial (In-Oz) <u>N/A</u>
Cable Retention Axial Force (Lbs) <u>N/A</u> Torque (In-Oz) <u>N/A</u>
Weight (Grams) <u>TBD</u>

ENVIRONMENTAL
Temperature Rating <u>-65 TO +165°C</u>
Vibration MIL-STD-202, Method 204, Condition D
Shock MIL-STD-202, Method 213, Condition I
Thermal Shock MIL-STD-202, Method 107, Condition C,
Moisture Resistance MIL-STD-202, Method 106
Corrosion - MIL-STD-202, Method 101, Condition B, 5% salt spray
 <u>.XXX = in</u> <u>XX.X = mm (REF)</u>

HOUSING	STAINLESS STEEL PER ASTM-A484 AND ASTM- A582, TYPE 303
DIELECTRIC	TFE FLUOROCARBON PER ASTM-D-1457
CENTER CONTACT	BERYLLIUM COPPER PER ASTM-B-196 OR ASTM-B-197, ALLOY C17300, CONDITION H
COMPONENT	MATERIAL

FINISH	PASSIVATE PER QQ-P-35
	N/A
	GOLD PLATE PER MIL-G-45204

UNLESS OTHERWISE SPECIFIED
DIMENSIONS ARE IN INCHES

FRAC.	DEC.	ANGLES
± 1/64	±.005	± 1°

These drawings and specifications are the property of M/A COM Interconnect Div. and shall not be reproduced or copied or used in whole or in part as the basis for the manufacture or sale of item(s) without written permission.

DRAWN BY	J.S	DATE	8-8-867
CHECKED BY	S.A	DATE	8-15-86
APPD BY	B.C	DATE	8-18-86
USE ASSY PROCEDURE			
NO. A.P.	N/A		

AMP Incorporated 140 Fourth Avenue Waltham, MA 02451-7599			
TITLE "OST" JACK TO "OSM" JACK ADAPTER			
SIZE	CODE IDENT NO.	3180-4034-02	REV
B	26805		02 ₂
SCALE	4:1	SHEET 1 OF 1	

单击下面可查看定价，库存，交付和生命周期等信息

[>>TE Connectivity\(泰科\)](#)