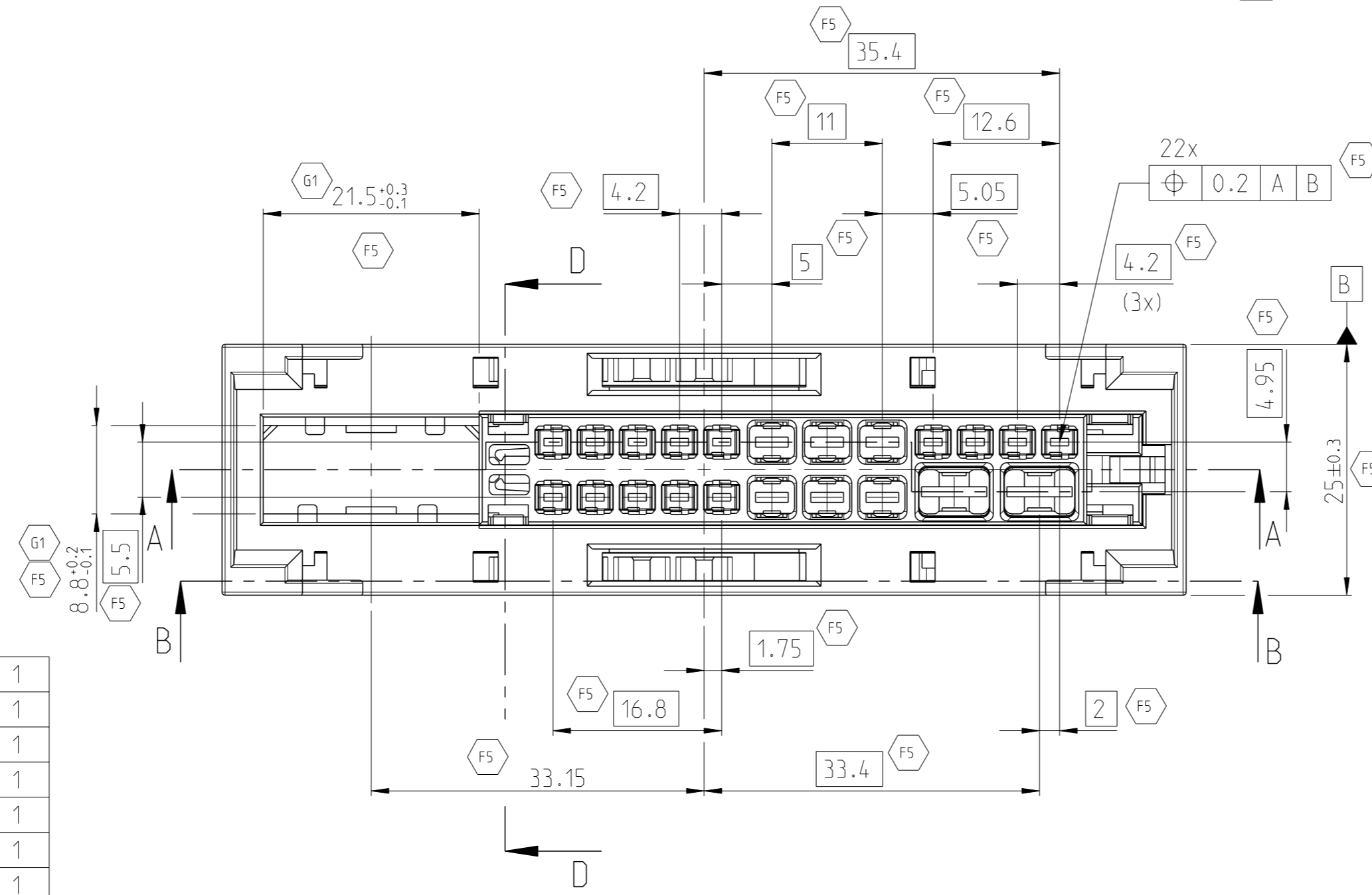
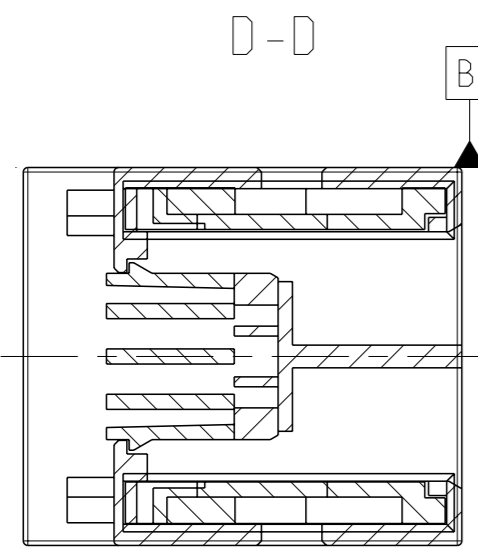
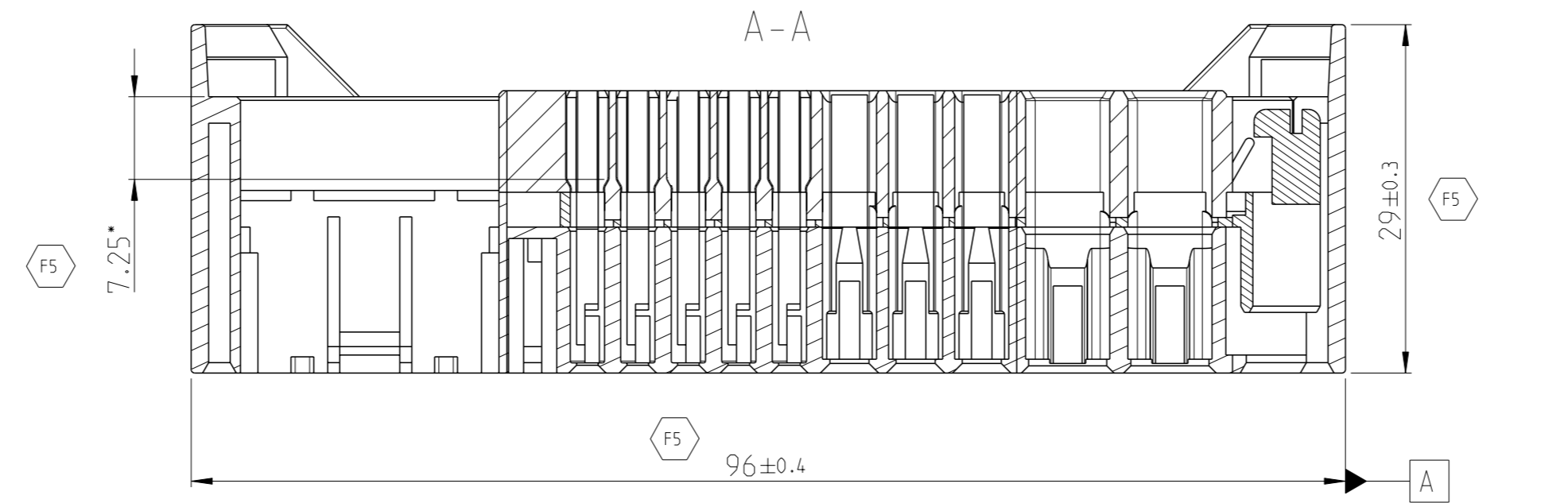
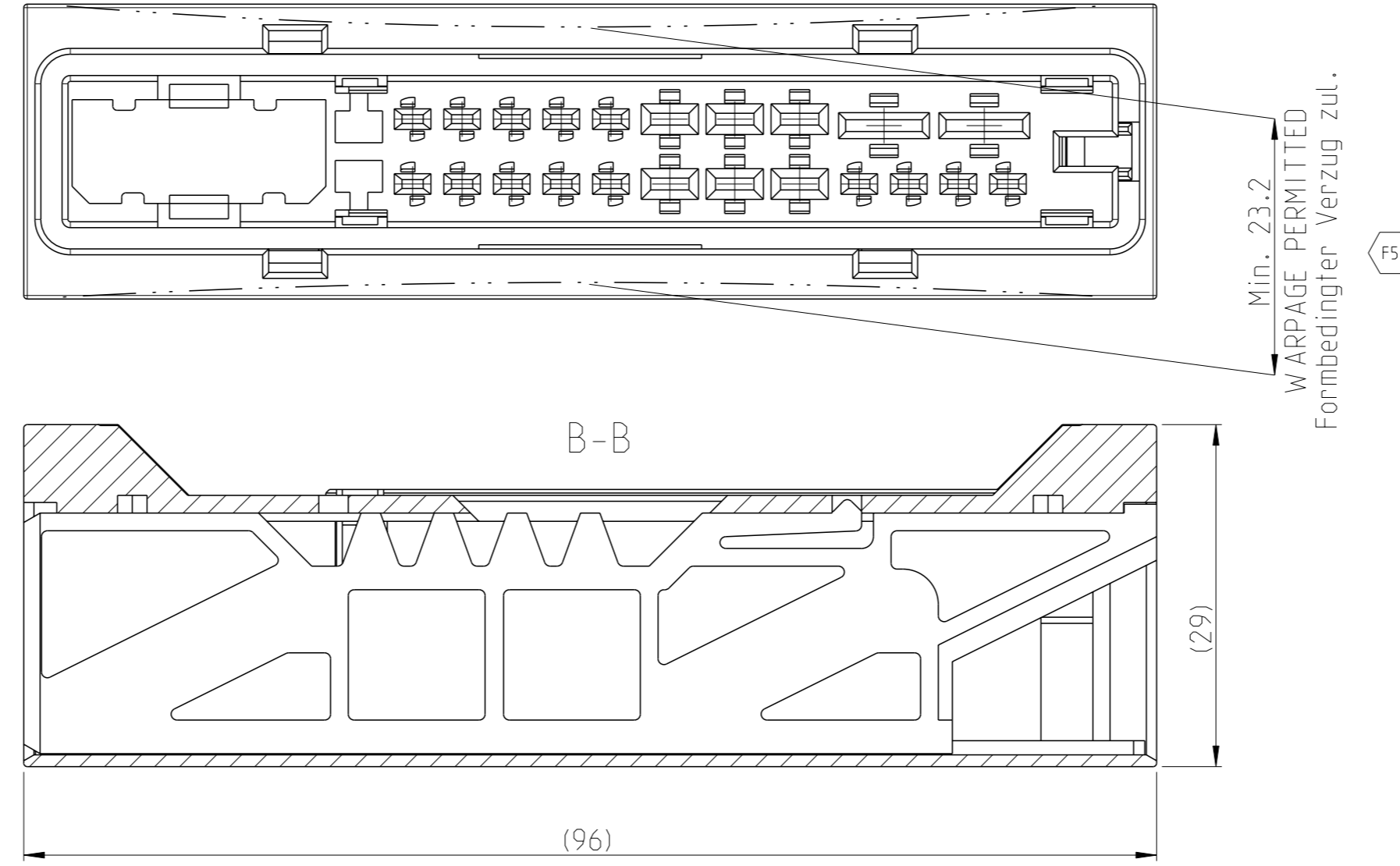
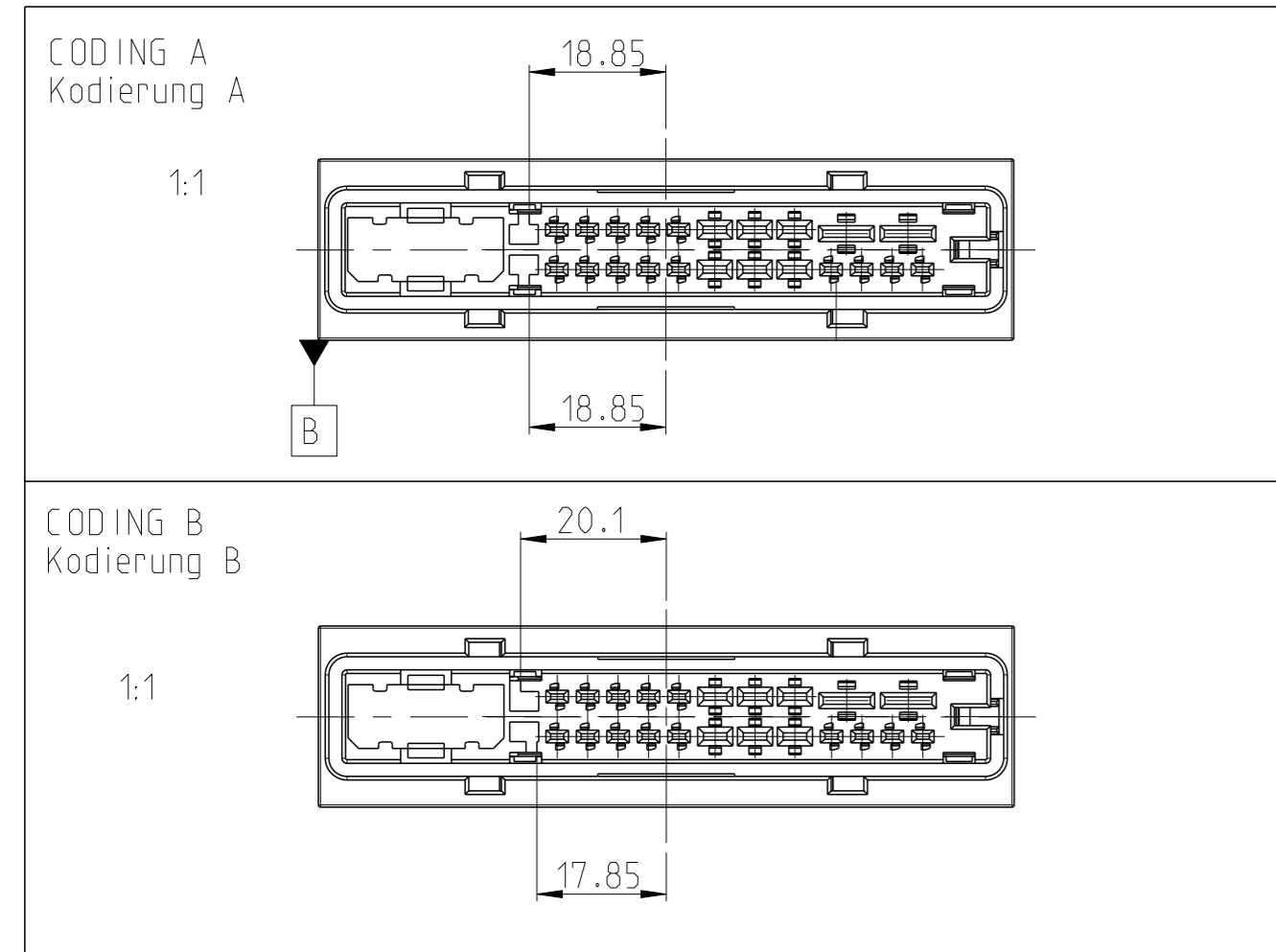
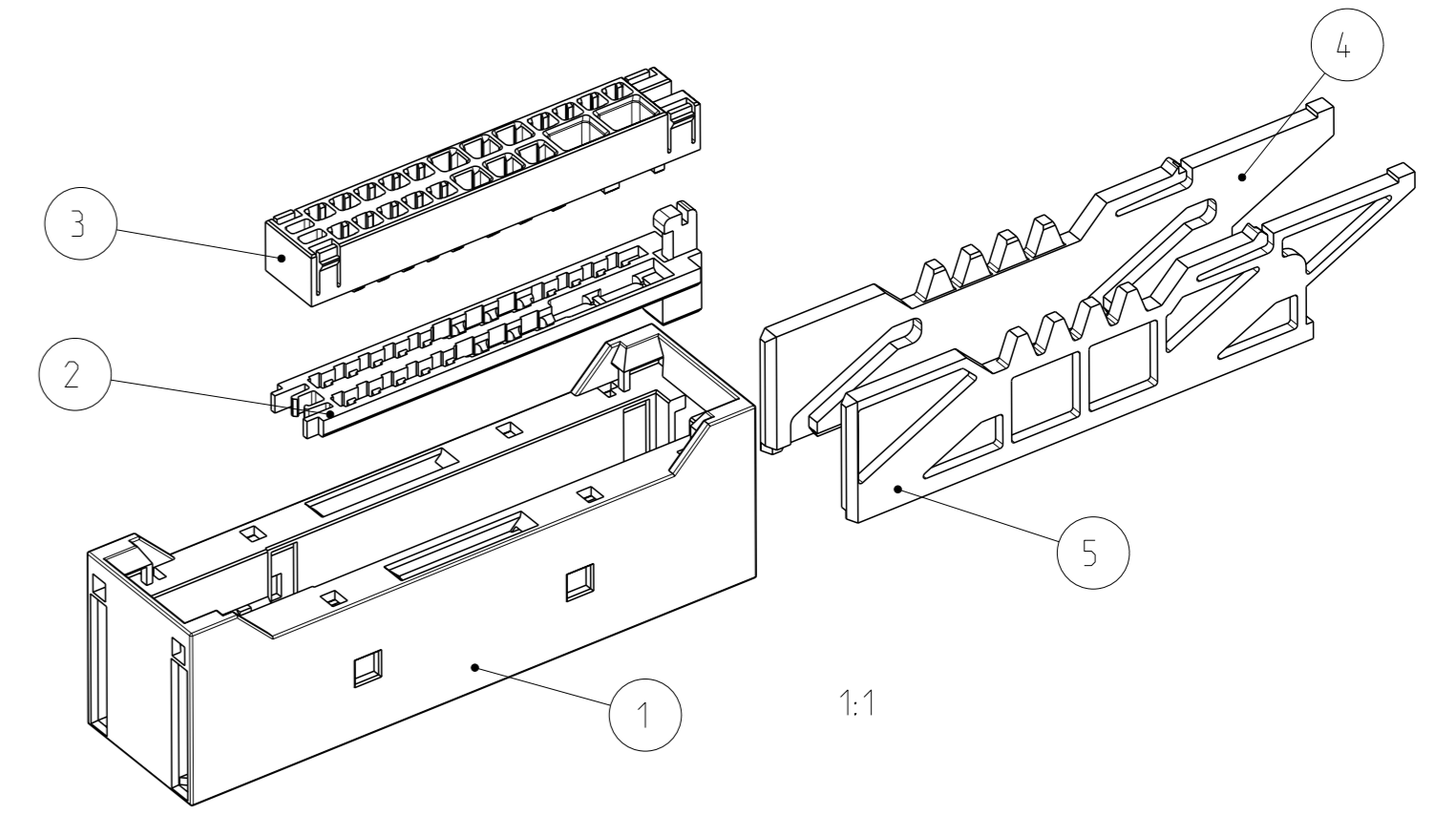


IN CONSEQUENCE OF INCIDENCE / DISTORTION
IS PERMITTED IN THIS RANGE
Bedingt durch Einfall / Verzug
in diesem Bereich zulaessig

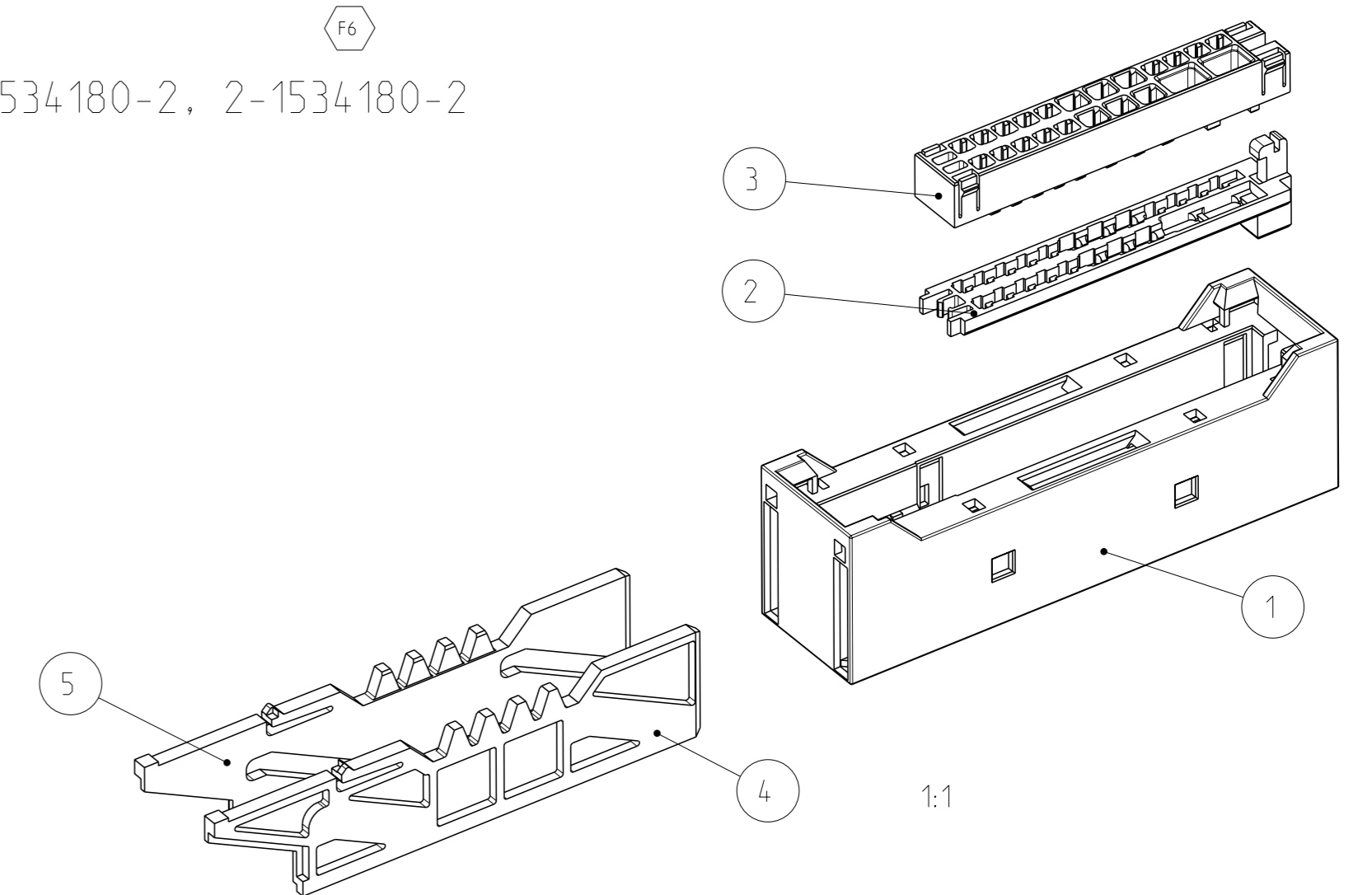
REVISIONS					
F	CLM	DESCRIPTION	DATE	OWN	APVD
F4		Add new version 2-1534180-1	29JUL2011	GB	SzG
F5		ECR-15-001938	13FEB2015	JB,JH	GB
F6		Add new version 2-1534180-2	19NOV2015	JB,JH	GB
G1		Material replacement of Slides,Retainer, H.plate	03MAY2021	GB	SzG



1534180-1, 2-1534180-1



1534180-2, 2-1534180-2



- PACKAGING: INTERLAYER PACKAGING IN CORRUGATED BOX
Verpackung: Lagenweise im Karton
- SUITABLE TAB HEADER 1534531
Passende Stiftsteiste 1534531
- SUITABLE CONTACTS / Passende Kontakte
MCP 1.5: 1241372, 1241374, 1534334
MCP 2.8: 1241386, 1241388, 1241390
MCP 4.8: 1241400, 1241402, 1241404, 1241406
MQS 0.63: 928999, 963715
- FORM CONDITIONED DELAY OF ±0.3 ADMISSIBLE
Formbedingter Verzug zul. ±0.3

ORDER-NO. Bestell-Nr.	ITEM Nr.	Rev.	Cod.	PART-NO. Teil-Nr.	Material	COLOUR Farbe	DISCRIPTION Benennung	QTY. St.
2-1534180-2	5		B	1534179-1	PBT-GF30	BLACK / schwarz	SLIDE LEFT / Schieber, links	1
	4		B	1534178-1	PBT-GF30	BLACK / schwarz	SLIDE RIGHT / Schieber, rechts	1
	3		B	1534052-1	PA6-GF15	BLACK / schwarz	HOLDER-PLATE / Halteplatte	1
	2		B	1534051-1	PA6-GF30	VIOLET / violett	RETAINER / Halter	1
	1		B	2-1534050-2	PBT+ASA-GF20	WHITE / weiß	CARRIER HSG. / Traeger haeuse	1
2-1534180-1	5		B	1534179-1	PBT-GF30	BLACK / schwarz	SLIDE LEFT / Schieber, links	1
	4		B	1534178-1	PBT-GF30	BLACK / schwarz	SLIDE RIGHT / Schieber, rechts	1
	3		B	1534052-1	PA6-GF15	BLACK / schwarz	HOLDER-PLATE / Halteplatte	1
	2		B	1534051-1	PA6-GF30	VIOLET / violett	RETAINER / Halter	1
	1		B	2-1534050-1	PBT+ASA-GF20	WHITE / weiß	CARRIER HSG. / Traeger haeuse	1
1534180-2	5		C	1534179-1	PBT-GF30	BLACK / schwarz	SLIDE LEFT / Schieber, links	1
	4		C	1534178-1	PBT-GF30	BLACK / schwarz	SLIDE RIGHT / Schieber, rechts	1
	3		C	1534052-1	PA6-GF15	BLACK / schwarz	HOLDER-PLATE / Halteplatte	1
	2		C	1534051-1	PA6-GF30	VIOLET / violett	RETAINER / Halter	1
	1		C	1534050-2	PBT+ASA-GF20	BLACK / schwarz	CARRIER HSG. / Traeger haeuse	1
1534180-1	5		F	1534179-1	PBT-GF30	BLACK / schwarz	SLIDE LEFT / Schieber, links	1
	4		F	1534178-1	PBT-GF30	BLACK / schwarz	SLIDE RIGHT / Schieber, rechts	1
	3		F	1534052-1	PA6-GF15	BLACK / schwarz	HOLDER-PLATE / Halteplatte	1
	2		F	1534051-1	PA6-GF30	VIOLET / violett	RETAINER / Halter	1
	1		F	1534050-1	PBT+ASA-GF20	BLACK / schwarz	CARRIER HSG. / Traeger haeuse	1

PRODUCT CHARACTERISTICS ACC. QMP EMEA_12 BESONDERE MERKMALE NACH QMP EMEA_12		TOLERANCES UNLESS OTHERWISE SPECIFIED ACC. TO DIN 16901-140 (CENTRIC TO NOMINAL DIMENSION, EDITION 1982-11). FREIHALTUNG NACH DIN 16901-140 (Z). Es gilt die Ausgabe 1982-11.	
THIS DRAWING IS A CONTROLLED DOCUMENT. DIMENSIONING AND TOLERANCING PER GPS (ISO STANDARDS)		OWN: R. Dierkes CHK: B. Leonhardt	DATE: 04MAR2004 REV: 09MAR2004
DIMENSIONS: mm		TOLERANCES UNLESS OTHERWISE SPECIFIED	
MATERIAL: -		FINISH: -	
APVD: -		NAME: -	
PRODUCT SPEC: 108-18950		APPLICATION SPEC: 114-18619-001	
WEIGHT: -		SCALE: 2:1	
Customer Drawing		SHEET 1 OF 1	
REC. HOUSING 32POS. MCP. SUB-ASSY. Buchsengehäuse 32pol. MCP, ZSB		RESTRICTED TO: -	

单击下面可查看定价，库存，交付和生命周期等信息

[>>TE Connectivity\(泰科\)](#)