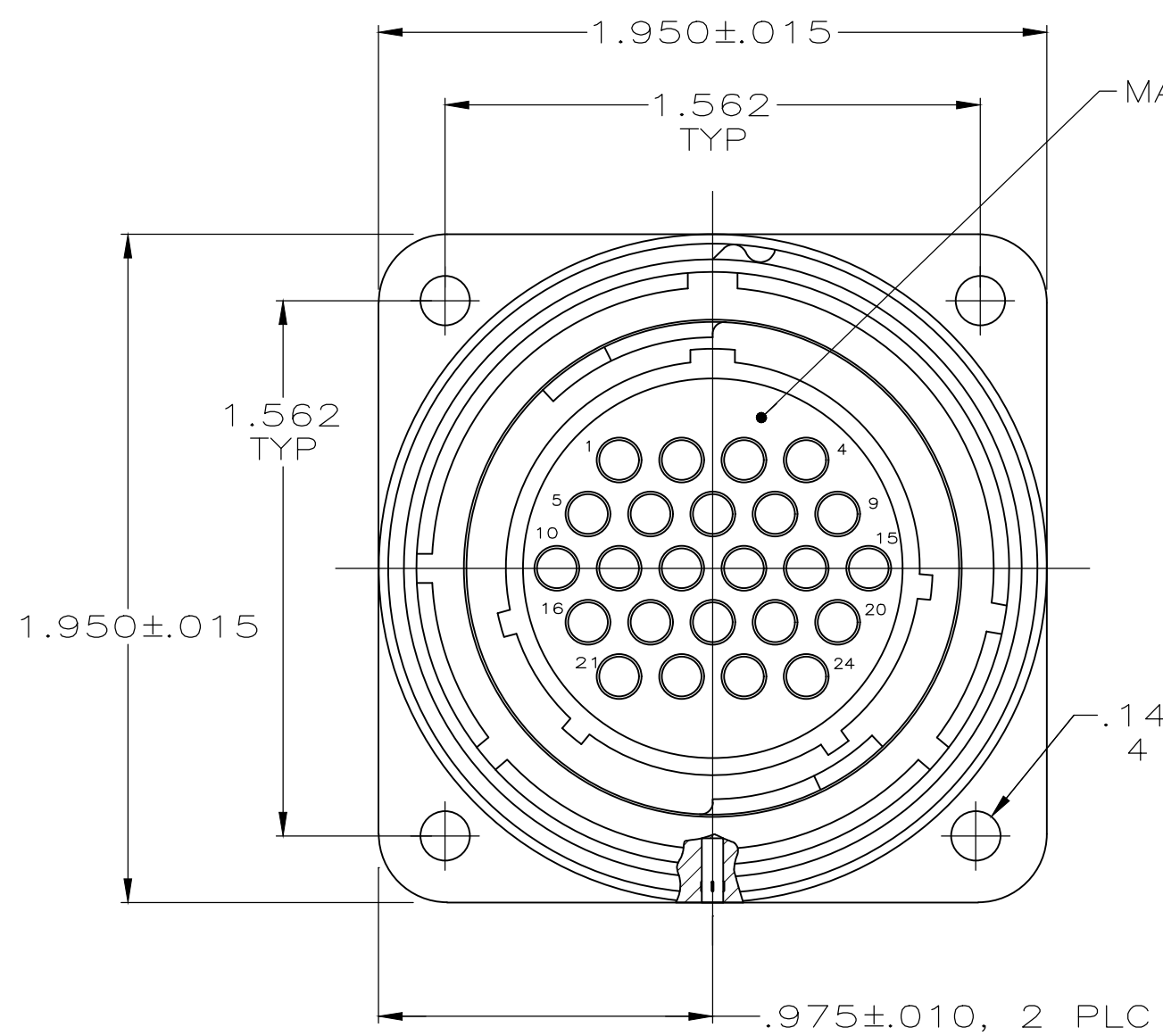


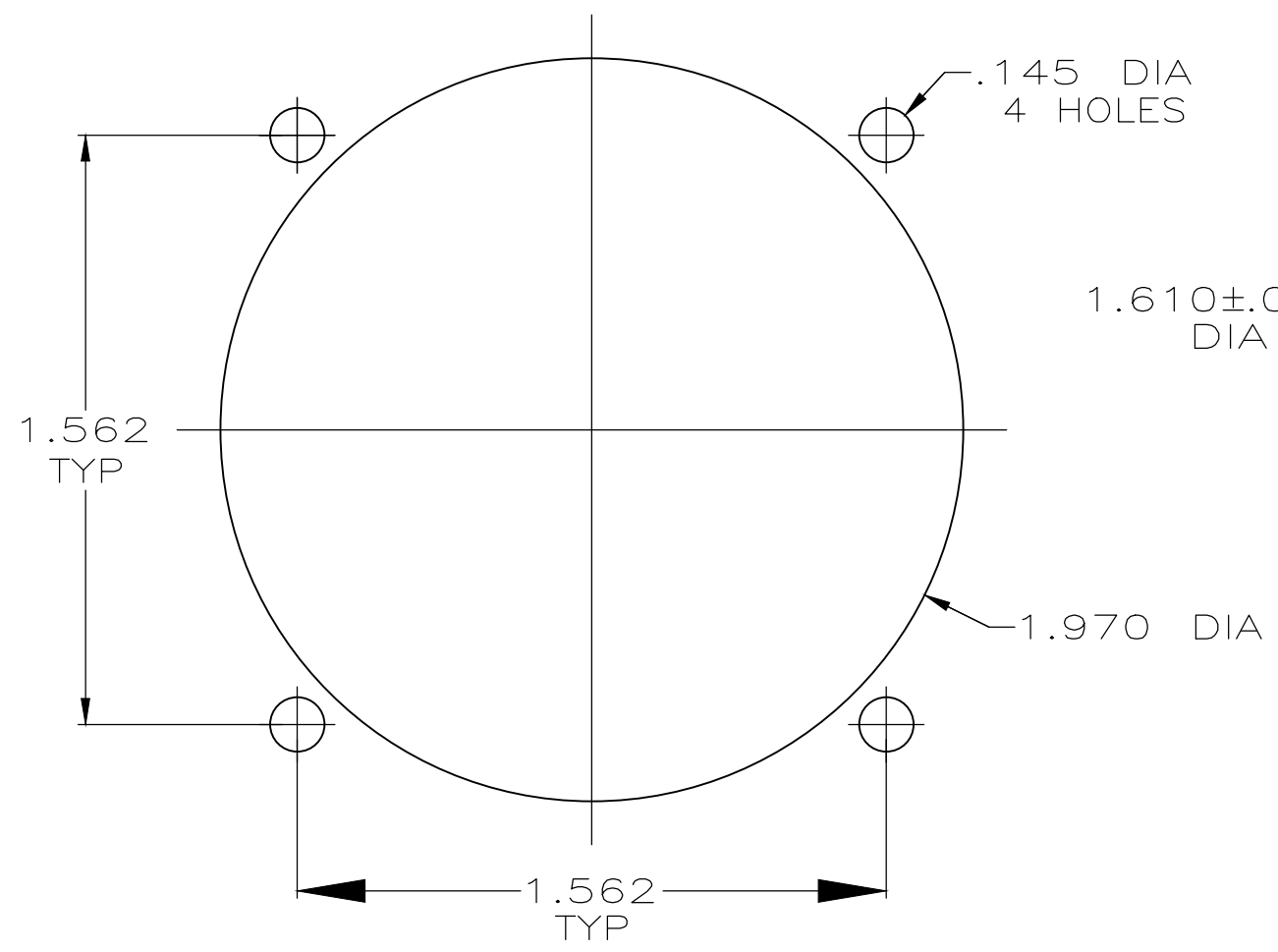
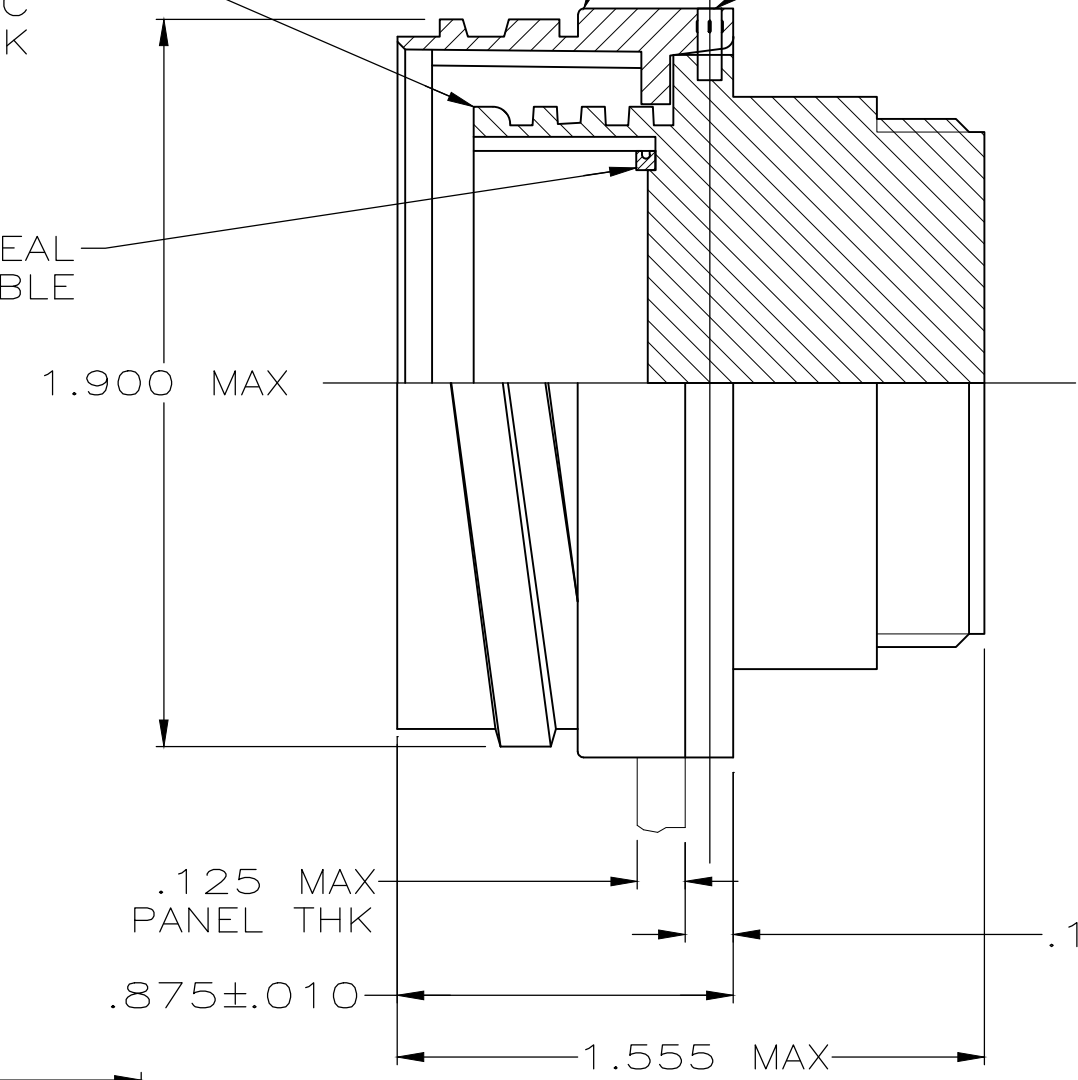
THIS DRAWING IS UNPUBLISHED. RELEASED FOR PUBLICATION  
 © COPYRIGHT - TE Connectivity Ltd. ALL RIGHTS RESERVED.

REVISIONS				
P	LTR	DESCRIPTION	DATE	APVD
L		REVISED PER ECO-18-007010	23MAY2018	KH MZ

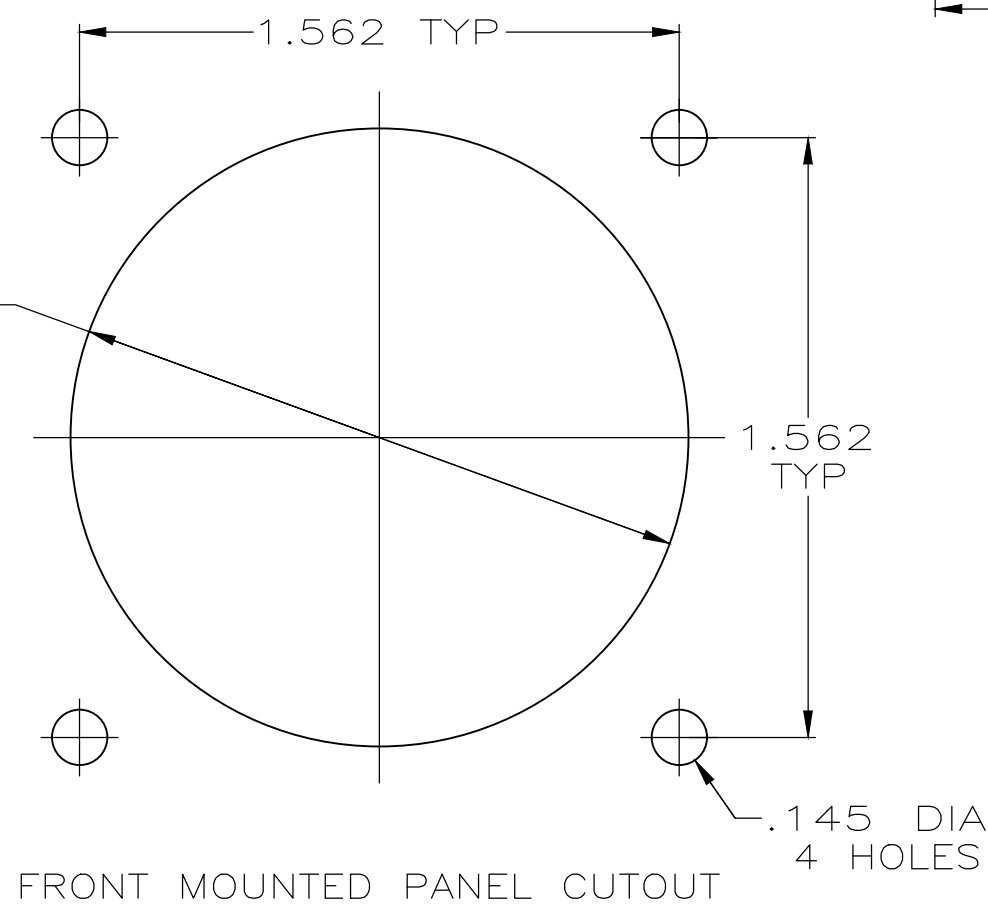


MATING FACE  
 RECEPTACLE, STD SEX  
 ARRANGEMENT 23-24  
 MATERIAL: THERMOPLASTIC  
 COLOR: BLACK  
 METAL SHELL RECEPTACLE  
 MATERIAL: ZINC ALLOY  
 FINISH: NICKEL PLATED  
 PER QQ-N-290  
 GROOVED PIN, 2 PLC  
 MATERIAL: STEEL ALLOY  
 FINISH: NICKEL PLATED  
 PER QQ-N-290

PERIPHERAL SEAL  
 SEE TABLE



REAR MOUNTED PANEL CUTOUT



FRONT MOUNTED PANEL CUTOUT

OBSOLETE	YES	208459-2
	NO	208459-1
	PERIPHERAL SEAL	PART NUMBER

- 208459-1 MATES WITH AMP PLUG 208457-1 OR -3.  
208459-2 MATES WITH 208457-1 ONLY.
- PART NUMBER AND DATE CODE MARKED ON ANY ANY FLANGE EDGE.

THIS DRAWING IS A CONTROLLED DOCUMENT.		DWN	R.LEE BG	6-22-91	TE Connectivity Ltd. RECEPTACLE ASSEMBLY, STD SEX, SERIES 1, 28-24, CMC
DIMENSIONS: INCHES		CHK	W.G.LENKER	4-15-92	
TOLERANCES UNLESS OTHERWISE SPECIFIED:		APVD	K.BEAVER	4-15-92	
0 PLC ± - 1 PLC ± - 2 PLC ± - 3 PLC ± .005 4 PLC ± - ANGLES ± -		PRODUCT SPEC	108-10040		
MATERIAL	-	FINISH	SEE CALLOUT	WEIGHT	0
		CUSTOMER DRAWING		SCALE	2:1
				SHEET	1 of 1
				REV	L

单击下面可查看定价，库存，交付和生命周期等信息

[>>TE Connectivity\(泰科\)](#)