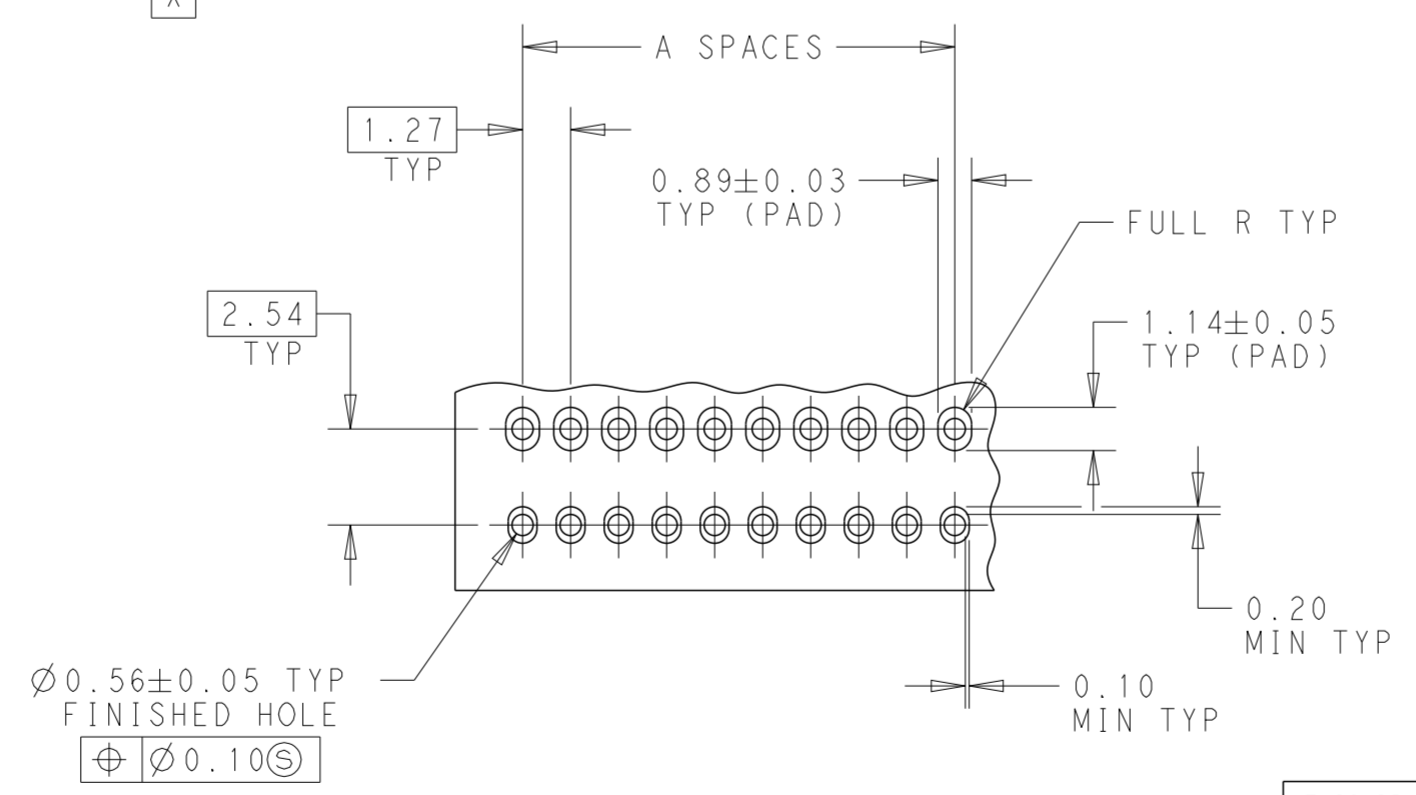
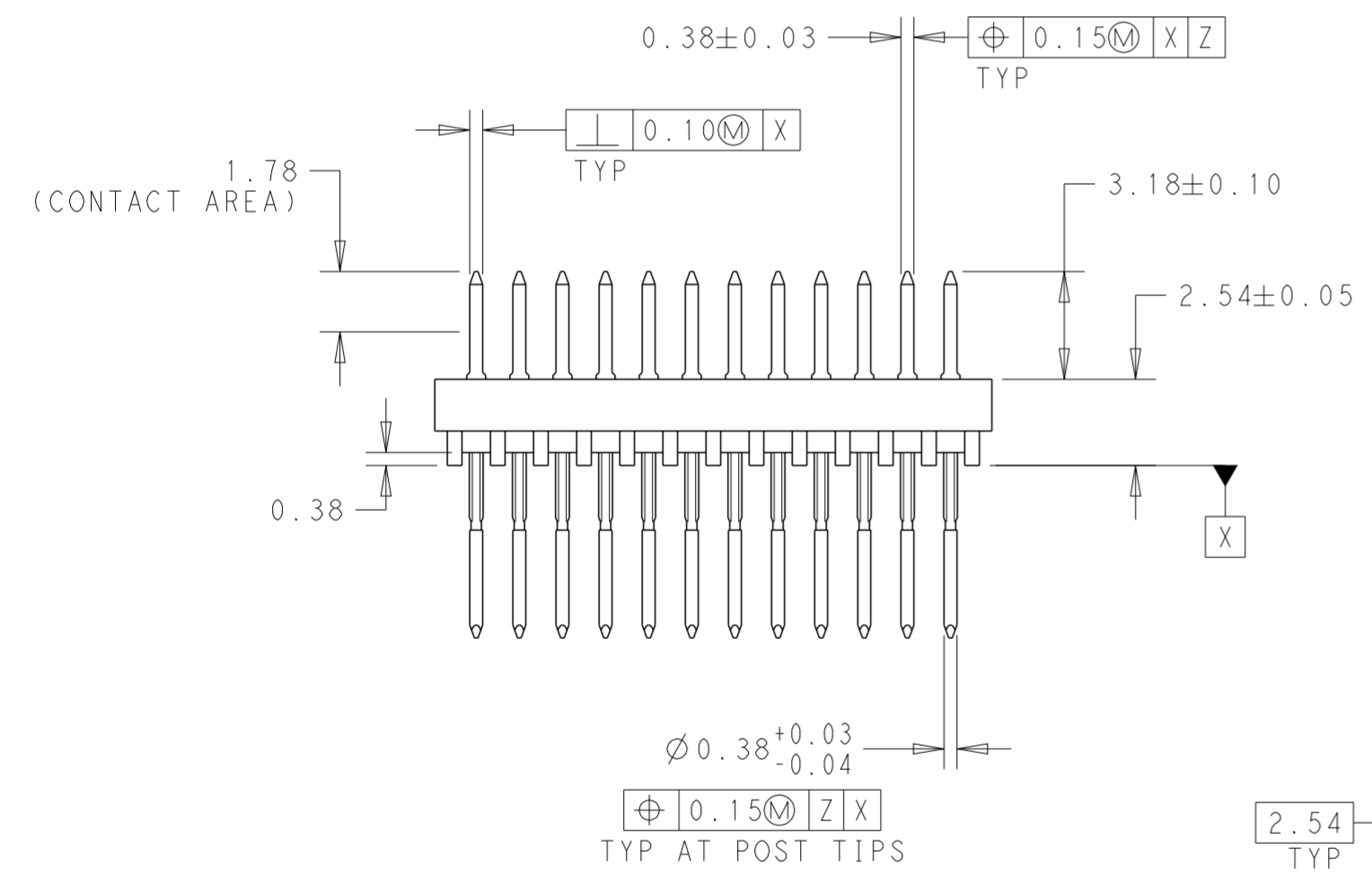
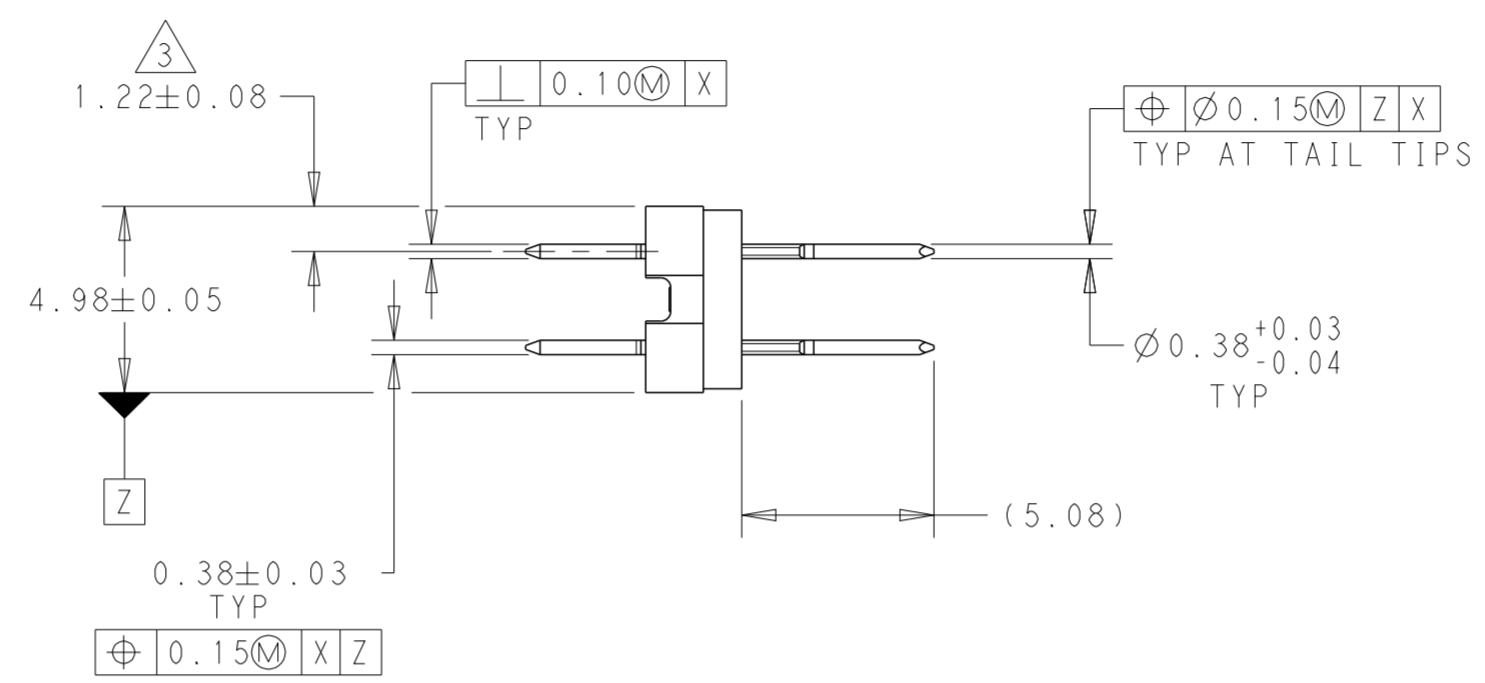
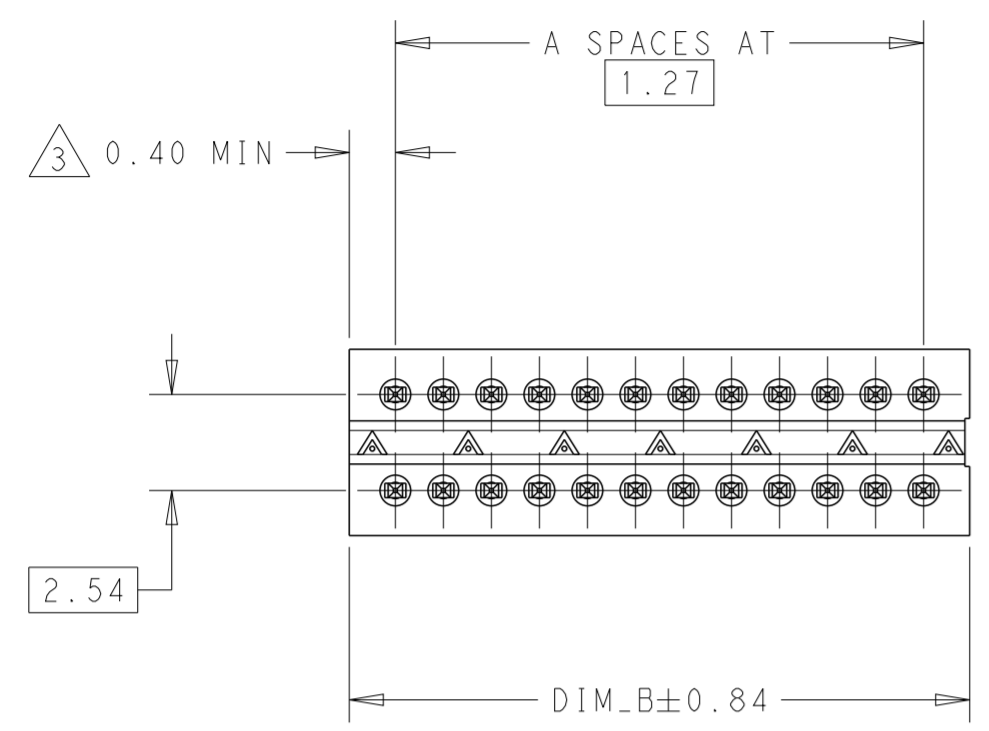
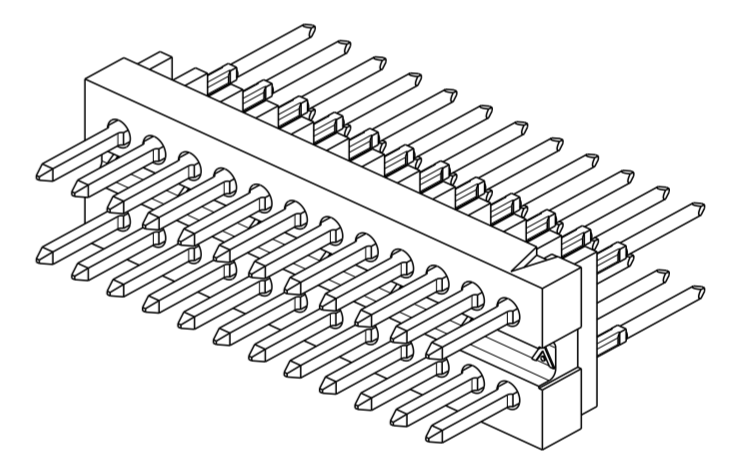


THIS DRAWING IS UNPUBLISHED. RELEASED FOR PUBLICATION 20
 © COPYRIGHT 20 BY - ALL RIGHTS RESERVED.

REVISIONS				
P	LTR	DESCRIPTION	DATE	DWN APVD
D		REDRAWN/REVISED PER ECO-17-001756	13NOV2017	GR JO



- 1. ENTIRE CONTACT PLATED WITH 0.76µm GOLD OVER 1.27µm MIN. NICKEL
- 2. NOTE DELETED
- 3. THE NOTED DIMENSIONS APPLY AT THE INTERSECTION OF THE POST AND HOUSING.
- 4. FINISH: 0.03µm MIN GOLD ON ENTIRE CONTACT. UNDER PLATING TO BE 1.27µm NICKEL ON ENTIRE CONTACT.
- 5. NOTE DELETED
- 6. NOTE DELETED
- 7. MATERIAL: HOUSING: LCP, COLOR-BLACK CONTACT: COPPER ALLOY



4	26.57	19	40	2-146744-3
	8.79	5	12	2-146744-2
	16.4	11	24	2-146744-1
1	26.57	19	40	146744-3
	8.79	5	12	146744-2
	16.4	11	24	146744-1
FINISH	DIM_B	A SPACES	NO OF POSN	PART NUMBER

DIMENSIONS:		TOLERANCES UNLESS OTHERWISE SPECIFIED:		DWN G. RAMESH 13NOV2017		CHK J. OLSON 13NOV2017		APVD J. OLSON 13NOV2017		NAME	
mm		0 PLC ±		PRODUCT SPEC		108-1093		APPLICATION SPEC		114-25031	
		1 PLC ±0.3		WEIGHT		-		SCALE		5:1	
MATERIAL		2 PLC ±0.13		CUSTOMER DRAWING		A200779		DRAWING NO		C-146744	
		3 PLC ±		RESTRICTED TO		-		SHEET		1 OF 1	
		4 PLC ±		REV		D		SCALE		5:1	
		ANGLES ±		SCALE		5:1		SHEET		1 OF 1	
		FINISH ±0.5°		SCALE		5:1		SHEET		1 OF 1	
		SEE TABLE		SCALE		5:1		SHEET		1 OF 1	

单击下面可查看定价，库存，交付和生命周期等信息

[>>TE Connectivity\(泰科\)](#)