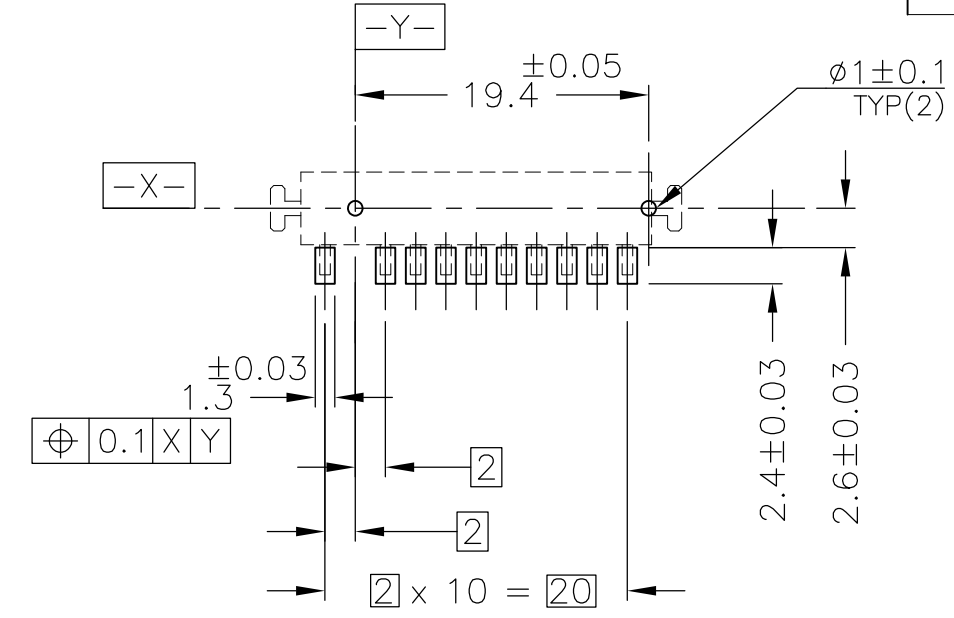
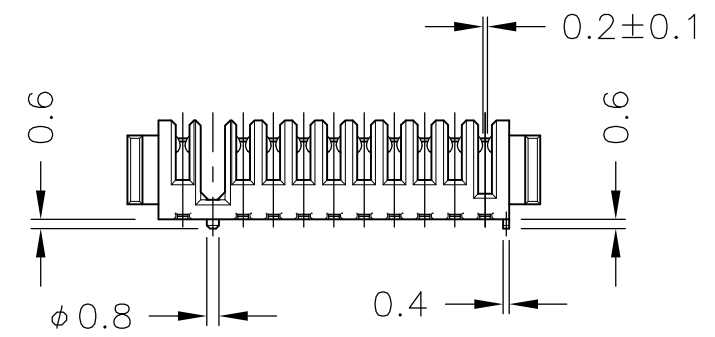
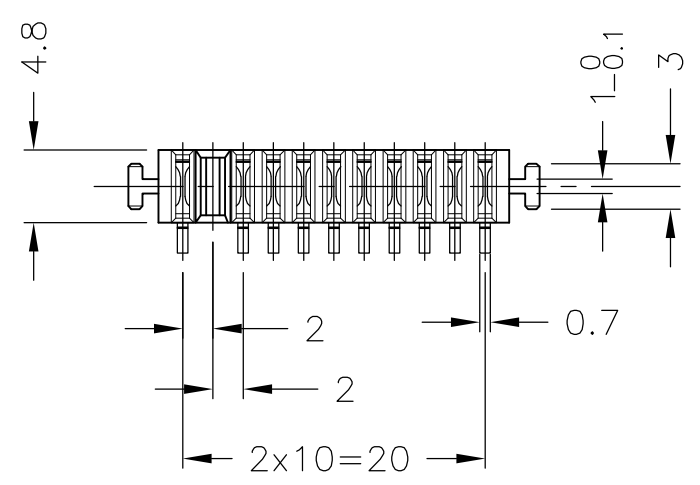
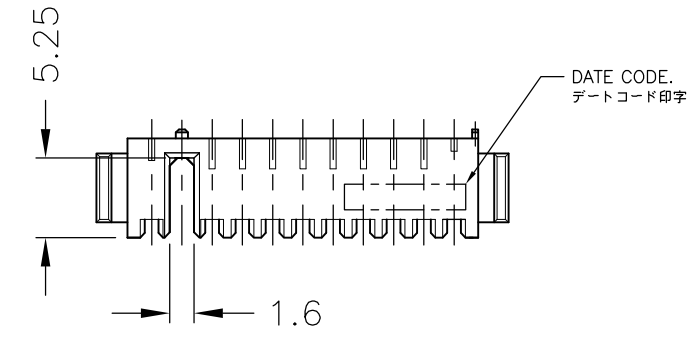
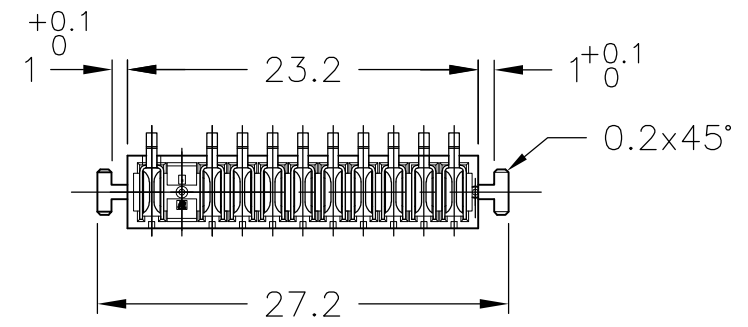
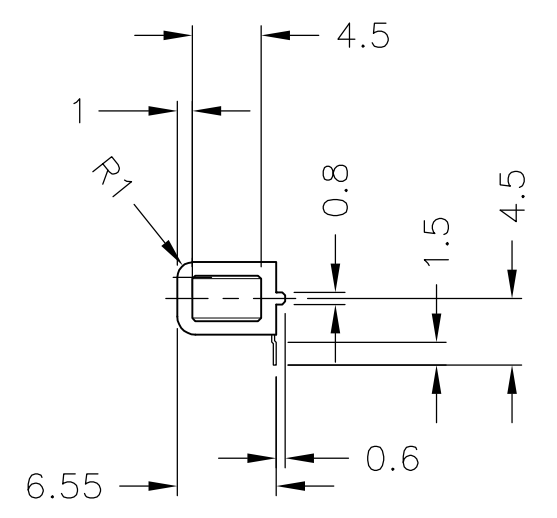


THIS DRAWING IS UNPUBLISHED. RELEASED FOR PUBLICATION  
 © COPYRIGHT 2001 BY TYCO ELECTRONICS CORPORATION. ALL RIGHTS RESERVED.

LOC	DIST	REVISIONS					
J		P	LTR	DESCRIPTION	DATE	DWN	APVD
			D	REVISED PER ECR-10-012533	16JUN10	HMR	TM



基板取付推奨寸法  
 RECOMMENDED P.C. BOARD LAYOUT  
 P.C. BOARD THK 0.8~1.2  
 (VIEW FROM CONNECTOR MOUNTING SIDE)



- △1 材料
  - ・ハウジング：熱可塑性樹脂、UL94V-O、黒
  - ・コンタクト：銅合金
- △2 仕上げ
  - ・コンタクト：全面ニッケル下地めっき  
接触部 金めっき 0.3μm 以上  
半田付け部 金フラッシュめっき
- △1 MATERIAL
  - ・HOUSING：THERMOPLASTIC RESIN  
UL94V-O、BLACK
  - ・CONTACT：COPPER ALLOY
- △2 FINISH
  - ・CONTACT：Ni ALL OVER UNDER PL.  
GOLD PL. (0.3μm MIN.) AT CONTACT AREA  
Au FLASH PL. AT LEAD AREA

AS SHOWN	1612964-4
SUPERSEDED BY 1612964-4	1612964-3
REMARK	P/N

THIS DRAWING IS A CONTROLLED DOCUMENT.		DWN	T.KATANO	30JAN03	 Tyco Electronics Corporation Kawasaki, Japan
DIMENSIONS: 単位：mm		CHK	K.IKEGAMI	30JAN03	
TOLERANCES UNLESS OTHERWISE SPECIFIED: 一般公差		APVD	K.KODAIRA	30JAN03	NAME 名称
0 PLC ± 0.3		PRODUCT SPEC		2mm PITCH BATTERY CONNECTOR RECEPTACLE ASSEMBLY	
1 PLC ± 0.3		製品規格		108-5850	
2 PLC ± 0.3		APPLICATION SPEC		取付適用規格	
3 PLC ± 0.3		WEIGHT		A3 00779 C-1612964	
4 PLC ± 0.3		CUSTOMER DRAWING		SCALE 2:1 SHEET 1 OF 1 REV D	
ANGLES ± 3'		FINISH 仕上			
MATERIAL 材料		△1			
		△2			

单击下面可查看定价，库存，交付和生命周期等信息

[>>TE Connectivity\(泰科\)](#)