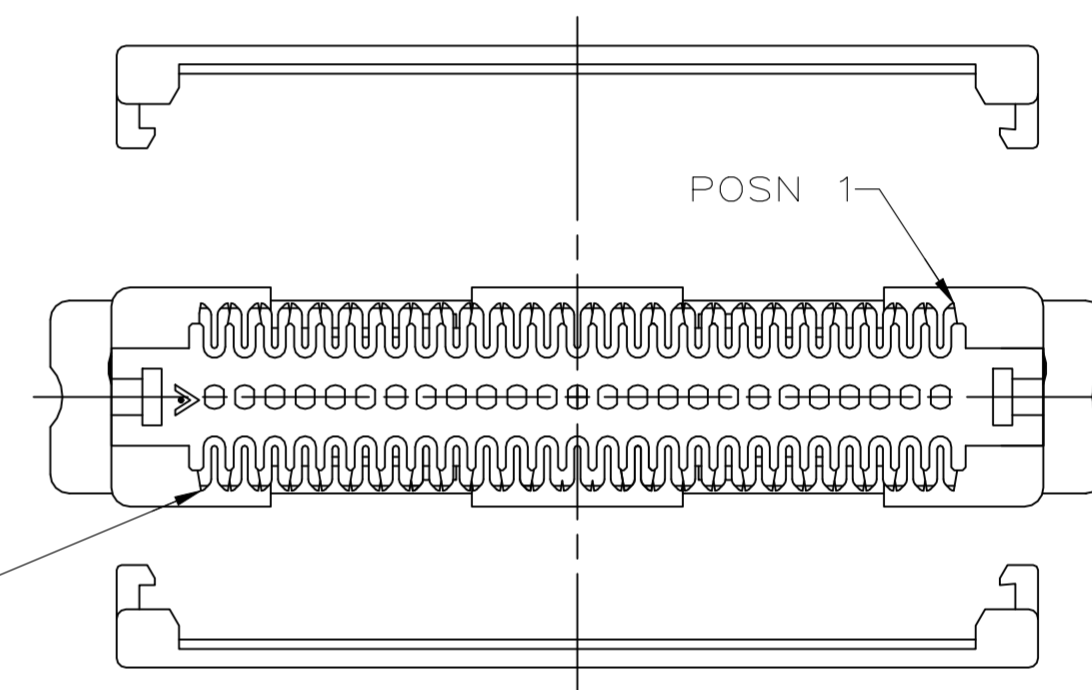
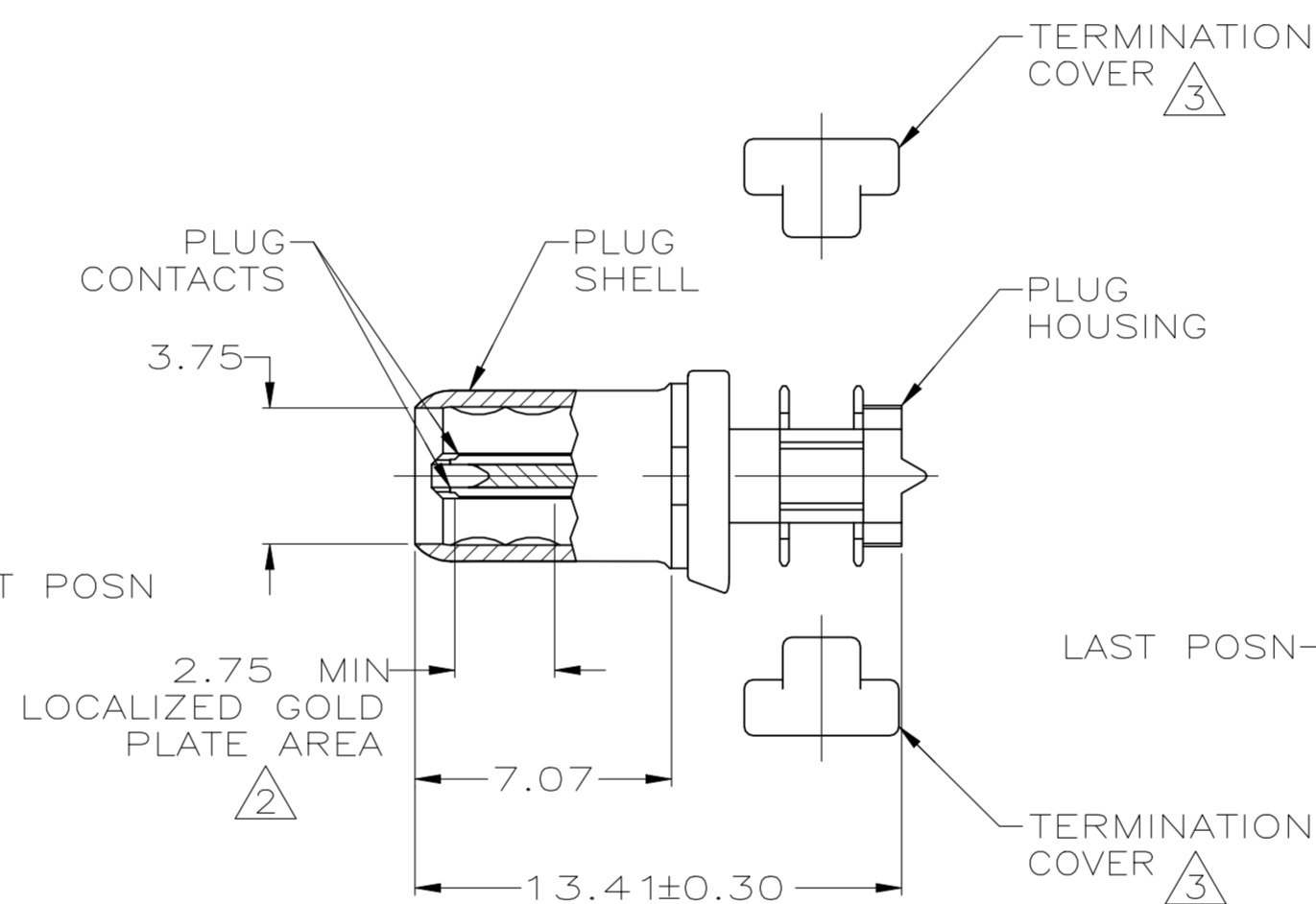
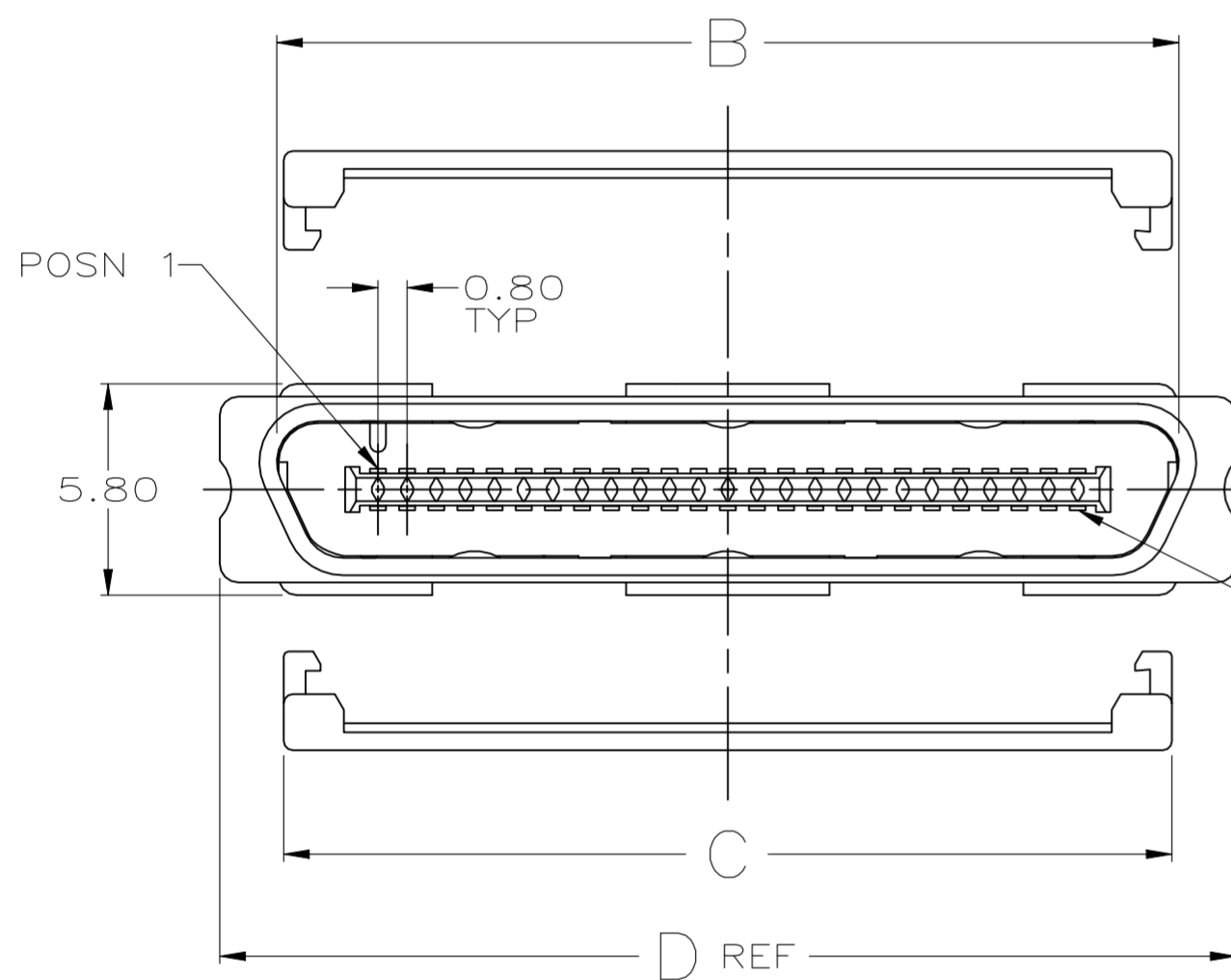
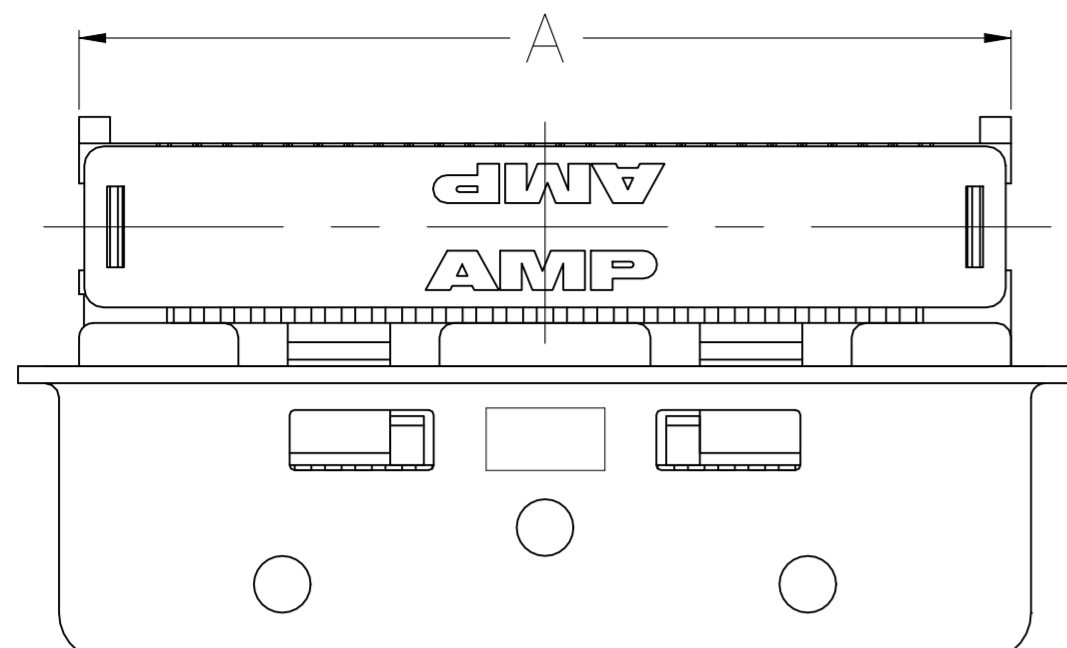


REVISIONS					
P	LTR	DESCRIPTION	DATE	DWN	APVD
P1		CORRECT 0.76 TO 0.076 FOR NOTES 4	24SEP2021	SH	SZ



- 1 MATERIAL:**
 PLUG CONTACTS – PHOSPHOR BRONZE.
 PLUG SHELL – STEEL.
 PLUG HOUSING – UL 94V-0 RATED LCP, COLOR: NATURAL.
 TERMINATION COVERS – ABS/POLYCARBONATE ALLOY MOLDING COMPOUND, COLOR: BLACK.
- 2 TERMINATION COVERS ARE PACKAGED SEPARATELY.**
- 3. RECOMMENDED WIRE: 30 AWG WITH A 0.56–0.64 INSULATION DIAMETER, WIRE MUST BE APPROVED BY AMP ENGINEERING.**
- 4 FINISH:**
 PLUG CONTACTS – 0.076 μm MINIMUM GOLD PLATE IN LOCALIZED GOLD PLATE AREA, 1.27 μm MINIMUM BRIGHT TIN PLATE IN TERMINATION AREA, ALL OVER 1.27 μm MINIMUM NICKEL.
 PLUG SHELL – 5.08 μm MINIMUM NICKEL OVER 1.27 μm MINIMUM COPPER.

35.08	31.57	31.95	31.85	68	5787131-3
22.28	18.77	19.15	19.05	36	5787131-2
27.88	24.37	24.75	24.65	50	5787131-1
D	C	B	A	POSN	PART NUMBER

THIS DRAWING IS A CONTROLLED DOCUMENT.		DWN J. ALCORTA – DOCK5 07-28-05	TE TE Connectivity	
DIMENSIONS: mm		CHK S. SHUEY 07-28-05		
TOLERANCES UNLESS OTHERWISE SPECIFIED:		APVD M. WALMSLEY 07-28-05	NAME PLUG KIT, CABLE CONNECTOR, CHAMP 0.8mm	
0 PLC ± - 1 PLC ± - 2 PLC ± 0.13 3 PLC ± - 4 PLC ± - ANGLES ± 3°		PRODUCT SPEC 108-1471	RESTRICTED TO	
MATERIAL 1		APPLICATION SPEC -	SIZE A2	CAGE CODE 00779
FINISH 4		WEIGHT 0.000000	DRAWING NO C=5787131	REV P1
CUSTOMER DRAWING			SCALE 5:1	SHEET 1 of 1

单击下面可查看定价，库存，交付和生命周期等信息

[>>TE Connectivity\(泰科\)](#)