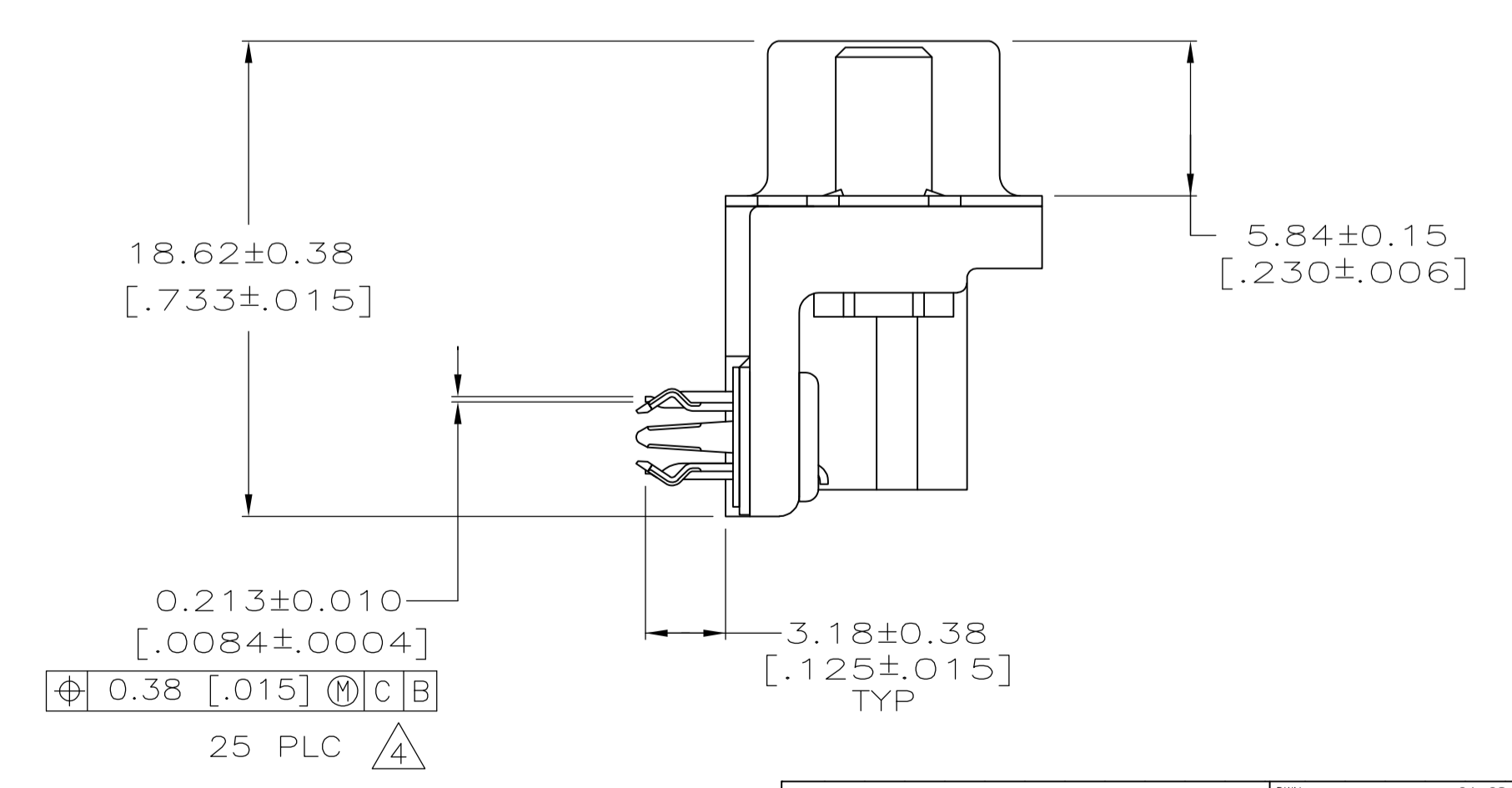
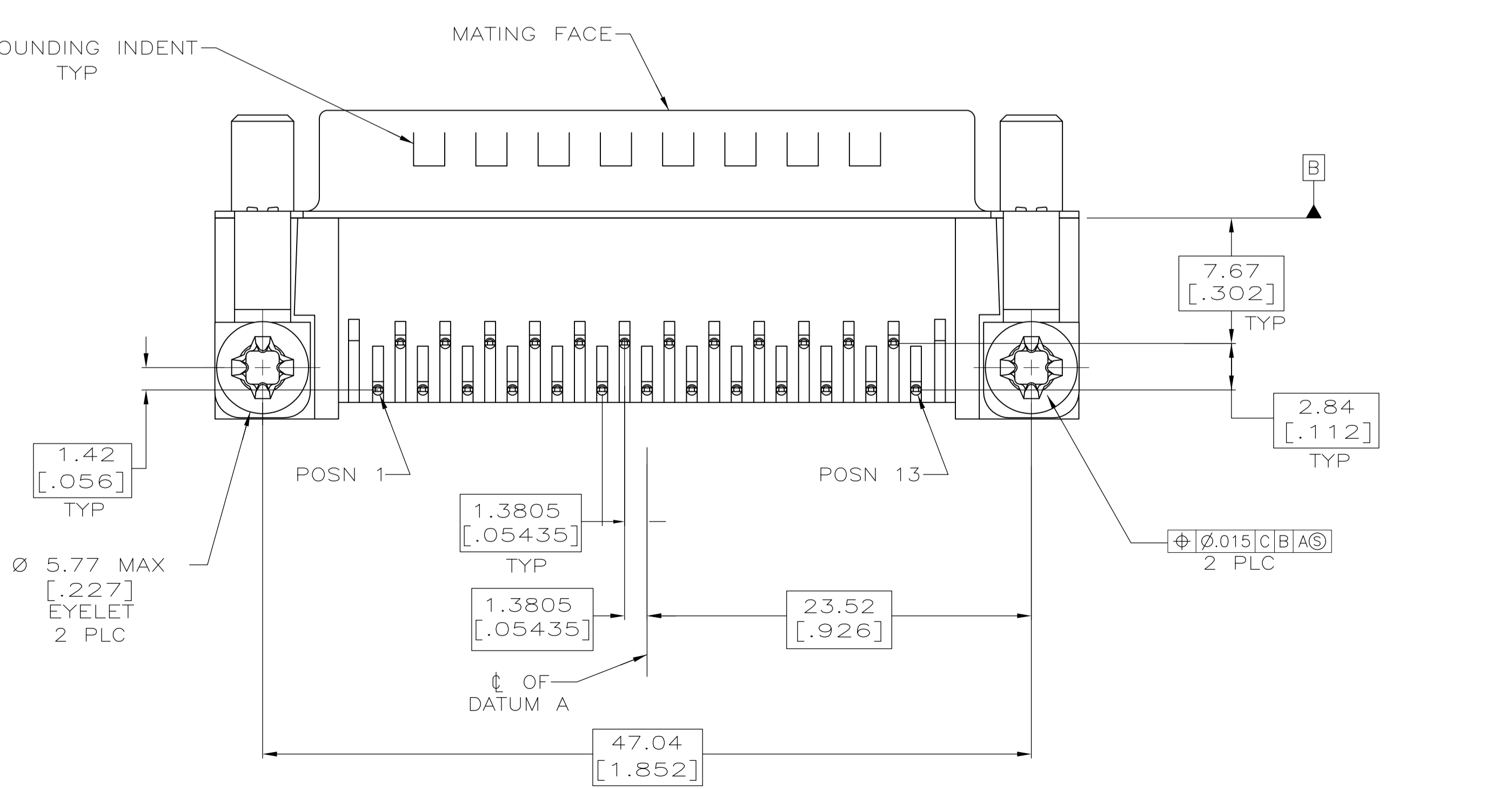
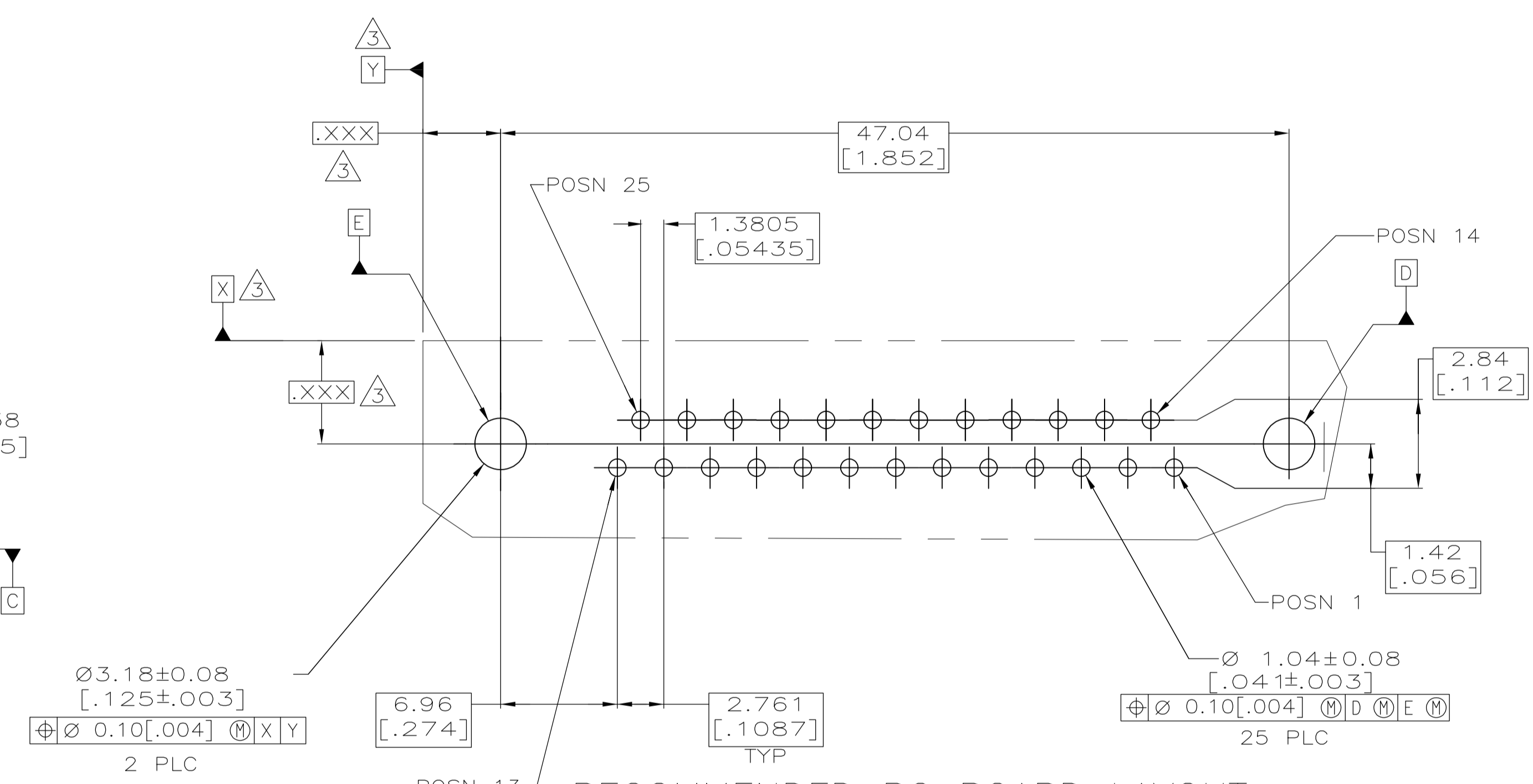
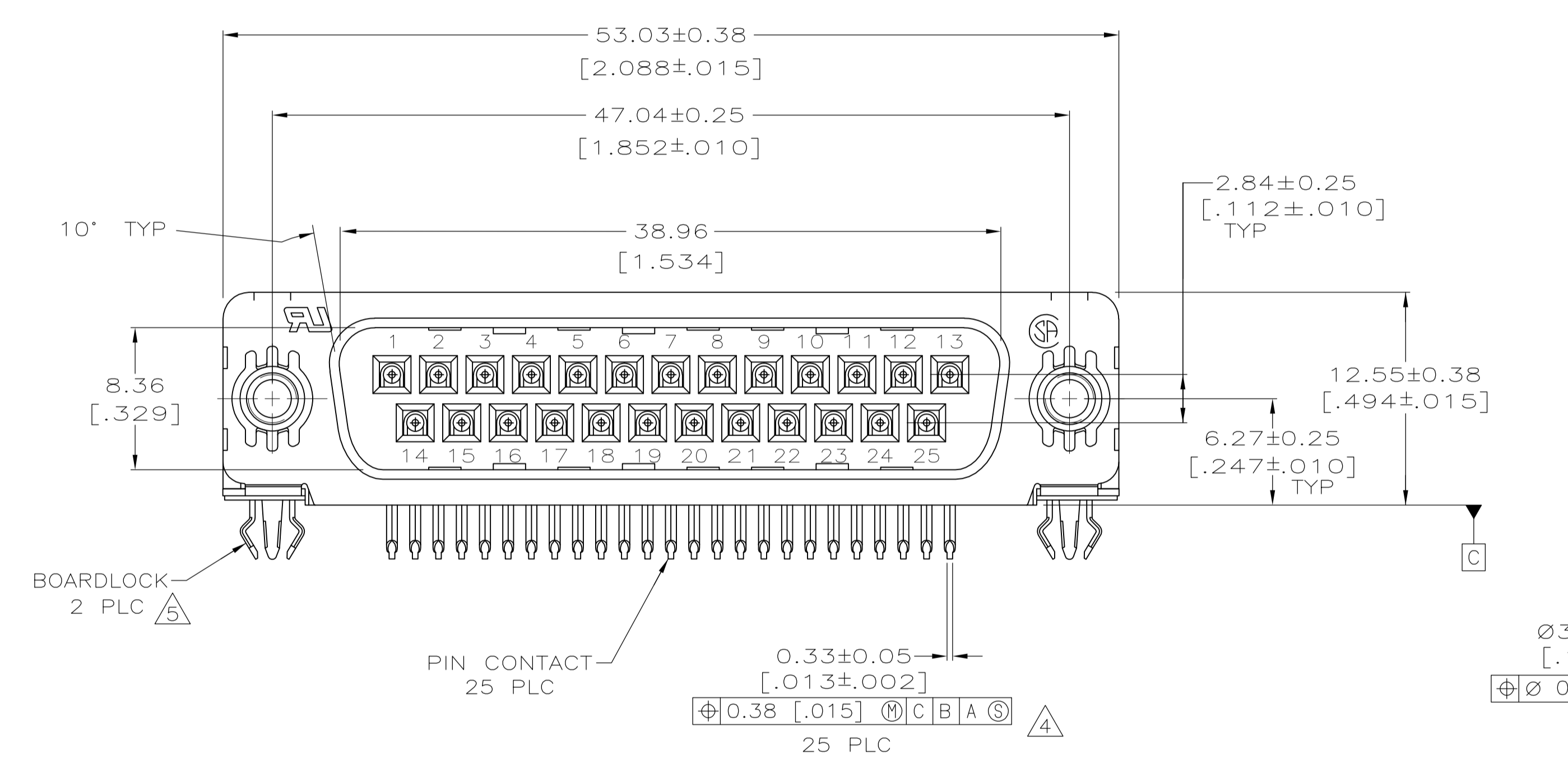
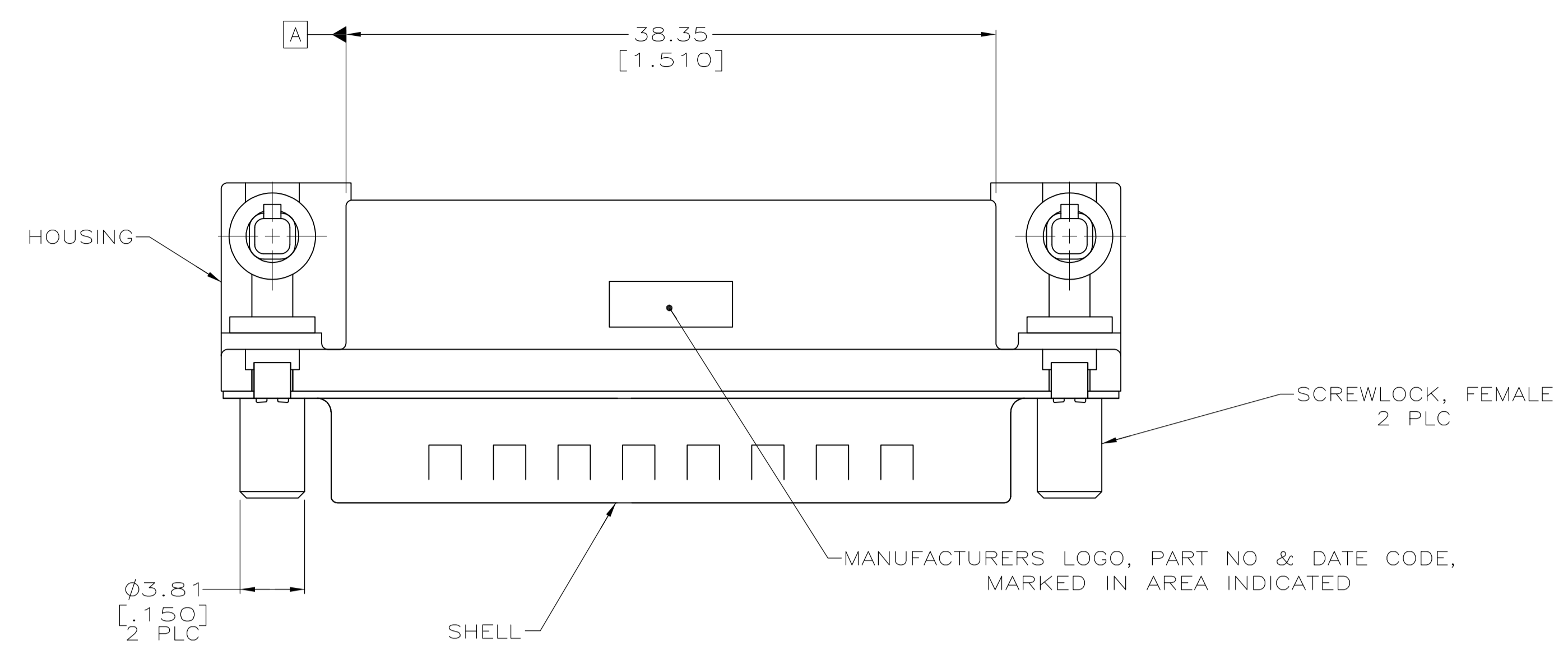


LOC		DIST		REVISIONS			
GP	00	F	LTR	DESCRIPTION	DATE	DMN	APVO
C				REVISED PER ECO-12-022391	02JAN2013	CJV	SLB

- △ HOUSING: NYLON, THERMOPLASTIC, UL 94VO RATED, BLACK.  
SHELL: CARBON STEEL.  
PIN CONTACTS: BRASS.  
EYELETS: BRASS.  
SCREWLOCKS: ZINC.  
BOARDLOCKS: COPPER ALLOY.
- △ PIN CONTACTS: 0.76µm[.000030] MIN GOLD PLATE ON THE MATING SURFACES, 2.54µm[.000100] MIN TIN PLATE ON THE SOLDER END, 1.27µm[.000050] MIN NICKEL UNDERPLATE ON THE ENTIRE CONTACT  
-OR-  
GOLD FLASH OVER PALLADIUM-NICKEL PLATE, 0.76µm[.000030] MIN TOTAL ON THE MATING SURFACES, 2.54µm[.000100] MIN TIN PLATE ON THE SOLDER END, 1.27µm[.000050] MIN NICKEL UNDERPLATE ON THE ENTIRE CONTACT.  
EYELETS: 2.54µm[.000100] MIN TIN OVER COPPER FLASH.  
SHELL: 2.54µm[.000100] MIN TIN OVER 1.27µm[.000050] MIN COPPER.  
SCREWLOCKS: CLEAR CHROMATE.  
BOARDLOCKS: 3.81µm[.000150] MIN TIN OVER 1.27µm[.000050] MIN NICKEL.
- △ DATUMS AND BASIC DIMENSIONS ESTABLISHED BY CUSTOMER.
- △ POSITION TOLERANCE APPLIES AT CONTACT TIP.
- △ BOARDLOCKS WILL ACCEPT .062 MAX PRINTED CIRCUIT BOARD THICKNESS.
- 6. COMPATIBLE WITH SOLDERING APPLICATIONS TO A MAXIMUM OF 225°C FOR A MAXIMUM DURATION OF 90 SECONDS. TEMPERATURE TO BE MEASURED ON CONNECTOR SURFACE.



**COPYRIGHT 2005 TYCO ELECTRONICS CORP ALL RIGHTS RESERVED**

THIS DRAWING IS A CONTROLLED DOCUMENT. DIMENSIONING AND TOLERANCING PER ASME Y14.5M-2009		DIN J. ALCORTA - 04-08-05 DOCK5		TE Connectivity																																																			
DIMENSIONS: mm [INCHES]		TOLERANCES UNLESS OTHERWISE SPECIFIED:		APVD M. WALMSLEY 04-08-05 NAME																																																			
<table border="1"> <tr><td>0 PLC</td><td>±</td><td>-</td></tr> <tr><td>1 PLC</td><td>±</td><td>-</td></tr> <tr><td>2 PLC</td><td>±</td><td>0.13 [.005]</td></tr> <tr><td>3 PLC</td><td>±</td><td>-</td></tr> <tr><td>4 PLC</td><td>±</td><td>-</td></tr> <tr><td>ANGLES</td><td>±</td><td>°</td></tr> </table>		0 PLC	±	-	1 PLC	±	-	2 PLC	±	0.13 [.005]	3 PLC	±	-	4 PLC	±	-	ANGLES	±	°	<table border="1"> <tr><td>APVD</td><td>M. WALMSLEY</td><td>04-08-05</td><td>NAME</td></tr> <tr><td>PRODUCT SPEC</td><td>108-40025</td><td></td><td></td></tr> <tr><td>APPLICATION SPEC</td><td>114-40010</td><td></td><td></td></tr> <tr><td>SIZE</td><td>CAGE CODE</td><td>DRAWING NO</td><td>RESTRICTED TO</td></tr> <tr><td>WEIGHT</td><td></td><td>A1 00779 C=5788795</td><td></td></tr> </table>		APVD	M. WALMSLEY	04-08-05	NAME	PRODUCT SPEC	108-40025			APPLICATION SPEC	114-40010			SIZE	CAGE CODE	DRAWING NO	RESTRICTED TO	WEIGHT		A1 00779 C=5788795		<table border="1"> <tr><td colspan="2">5788795-1</td></tr> <tr><td colspan="2">PART NO</td></tr> <tr><td colspan="2">PLUG ASSEMBLY, SIZE 3, .318 SERIES, WITH FRONT METAL SHELL, HIGH TEMPERATURE, AMPLIMITE HD-20</td></tr> <tr><td>SCALE</td><td>4:1</td></tr> <tr><td>SHEET</td><td>1 OF 1</td></tr> <tr><td>REV</td><td>C</td></tr> </table>		5788795-1		PART NO		PLUG ASSEMBLY, SIZE 3, .318 SERIES, WITH FRONT METAL SHELL, HIGH TEMPERATURE, AMPLIMITE HD-20		SCALE	4:1	SHEET	1 OF 1	REV	C
0 PLC	±	-																																																					
1 PLC	±	-																																																					
2 PLC	±	0.13 [.005]																																																					
3 PLC	±	-																																																					
4 PLC	±	-																																																					
ANGLES	±	°																																																					
APVD	M. WALMSLEY	04-08-05	NAME																																																				
PRODUCT SPEC	108-40025																																																						
APPLICATION SPEC	114-40010																																																						
SIZE	CAGE CODE	DRAWING NO	RESTRICTED TO																																																				
WEIGHT		A1 00779 C=5788795																																																					
5788795-1																																																							
PART NO																																																							
PLUG ASSEMBLY, SIZE 3, .318 SERIES, WITH FRONT METAL SHELL, HIGH TEMPERATURE, AMPLIMITE HD-20																																																							
SCALE	4:1																																																						
SHEET	1 OF 1																																																						
REV	C																																																						

单击下面可查看定价，库存，交付和生命周期等信息

[>>TE Connectivity\(泰科\)](#)