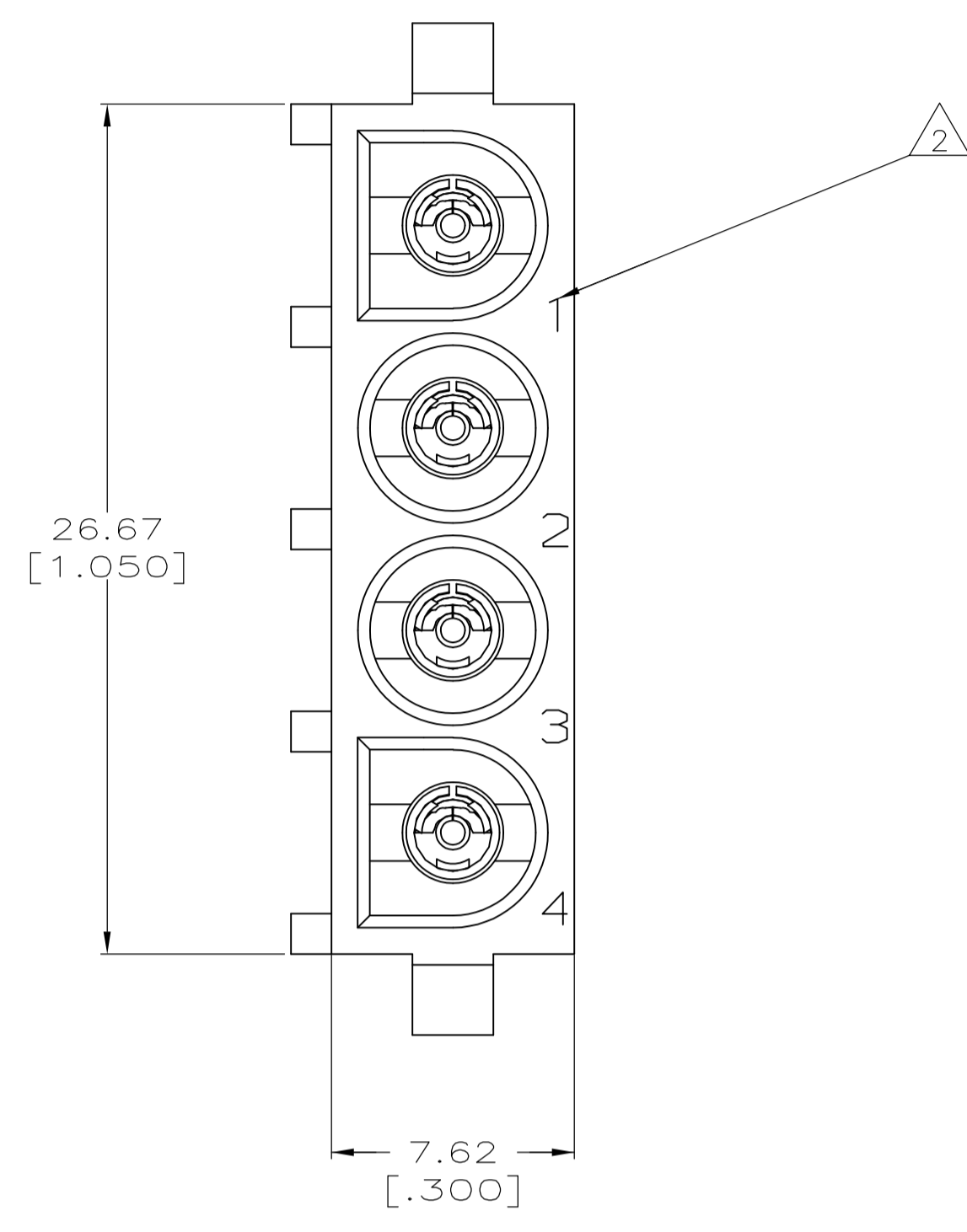
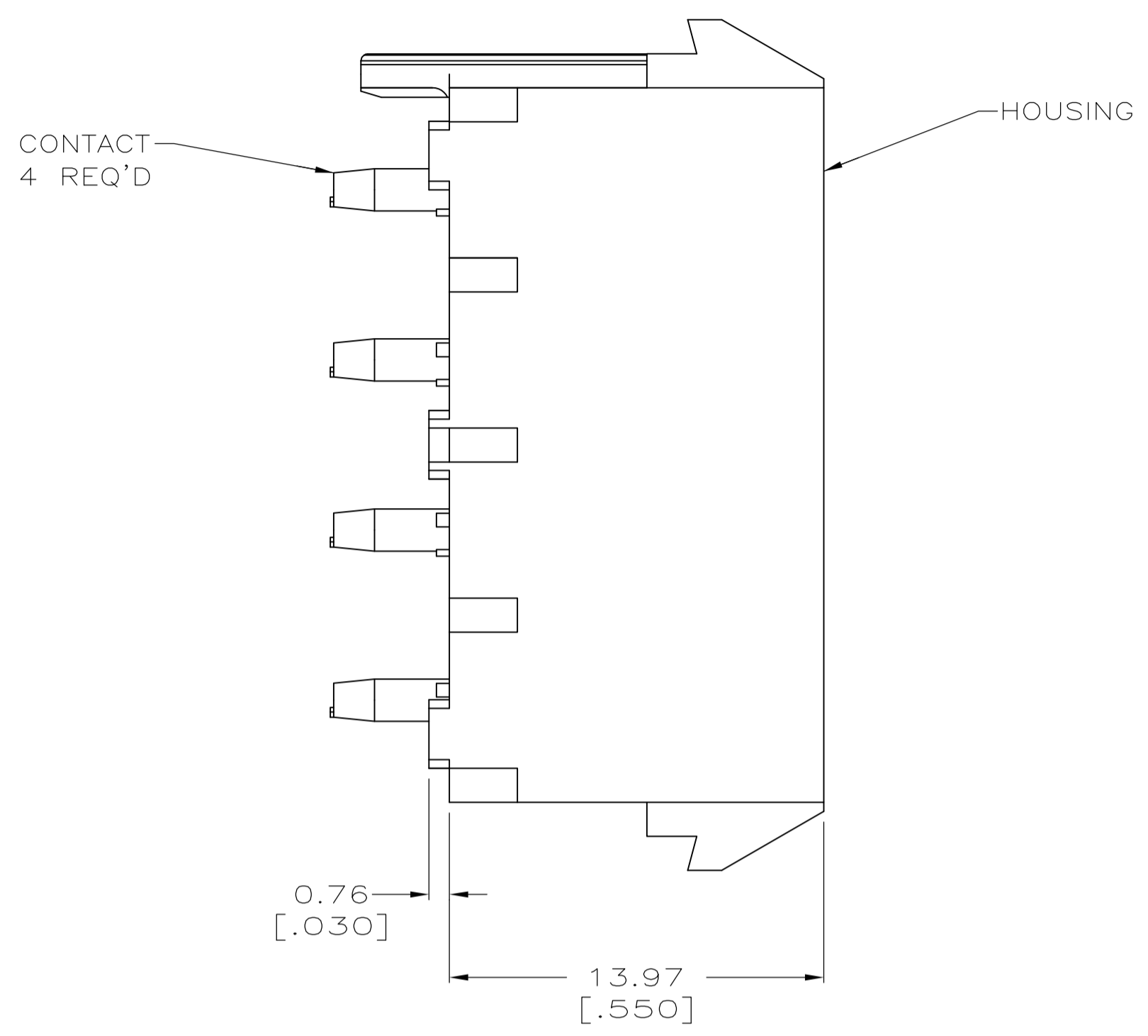
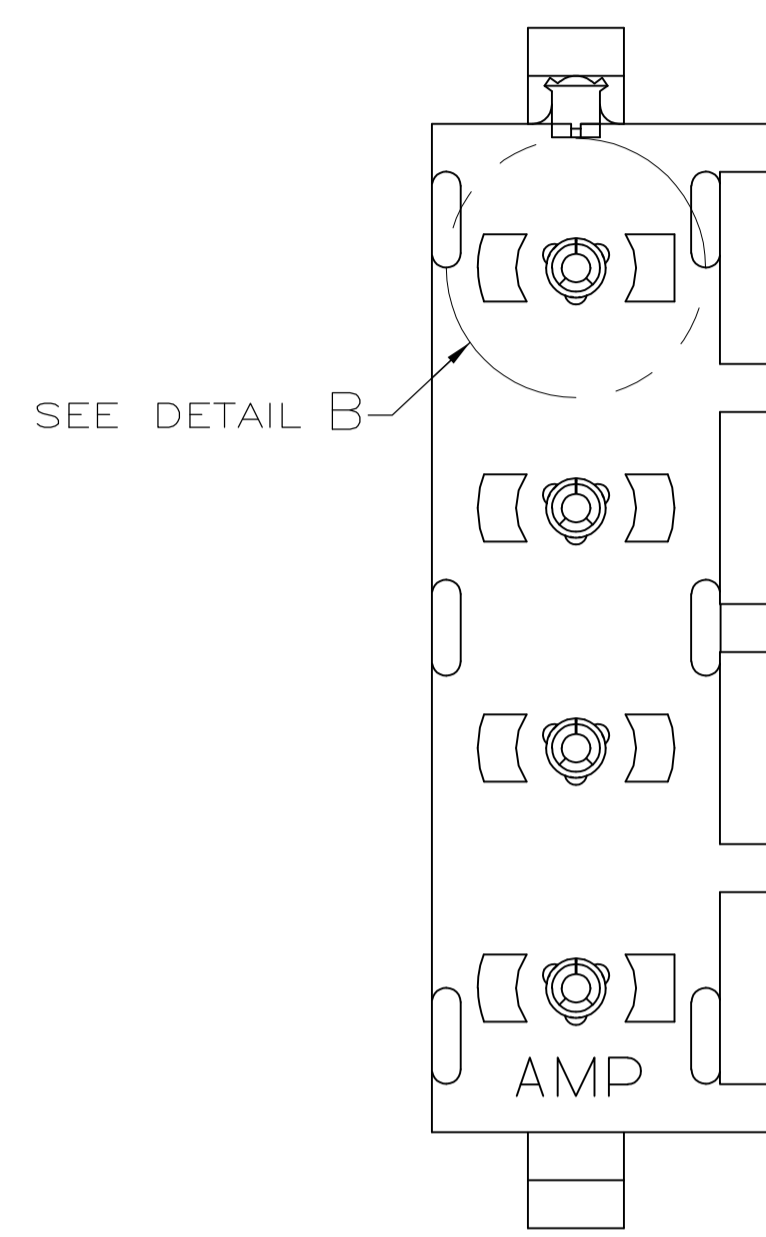
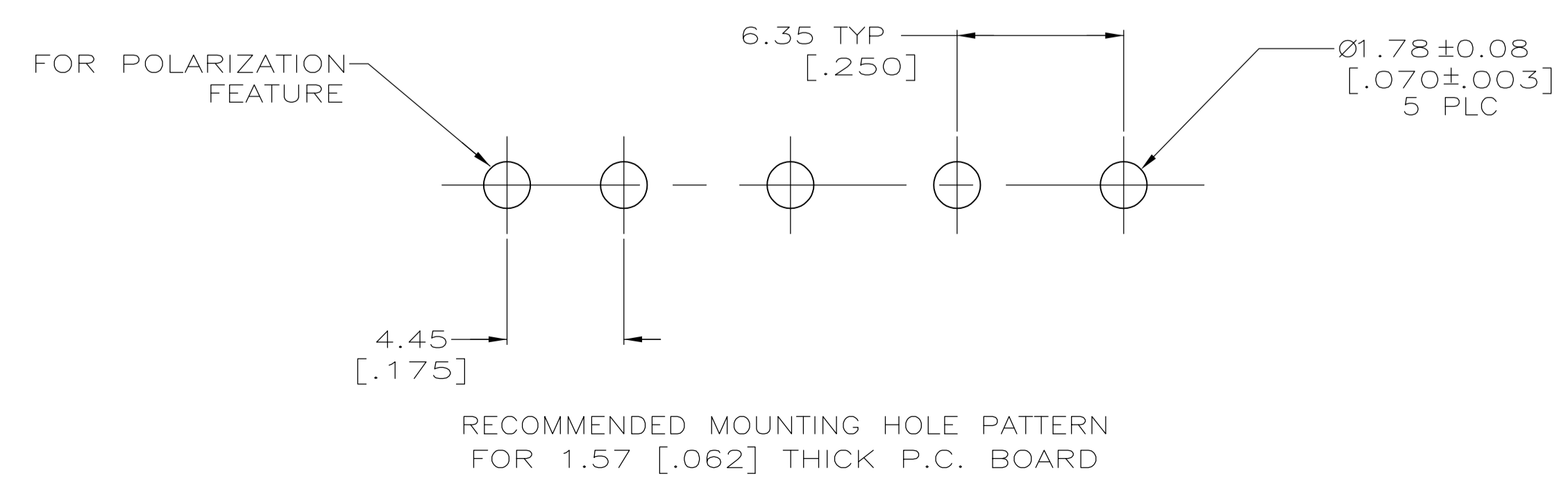
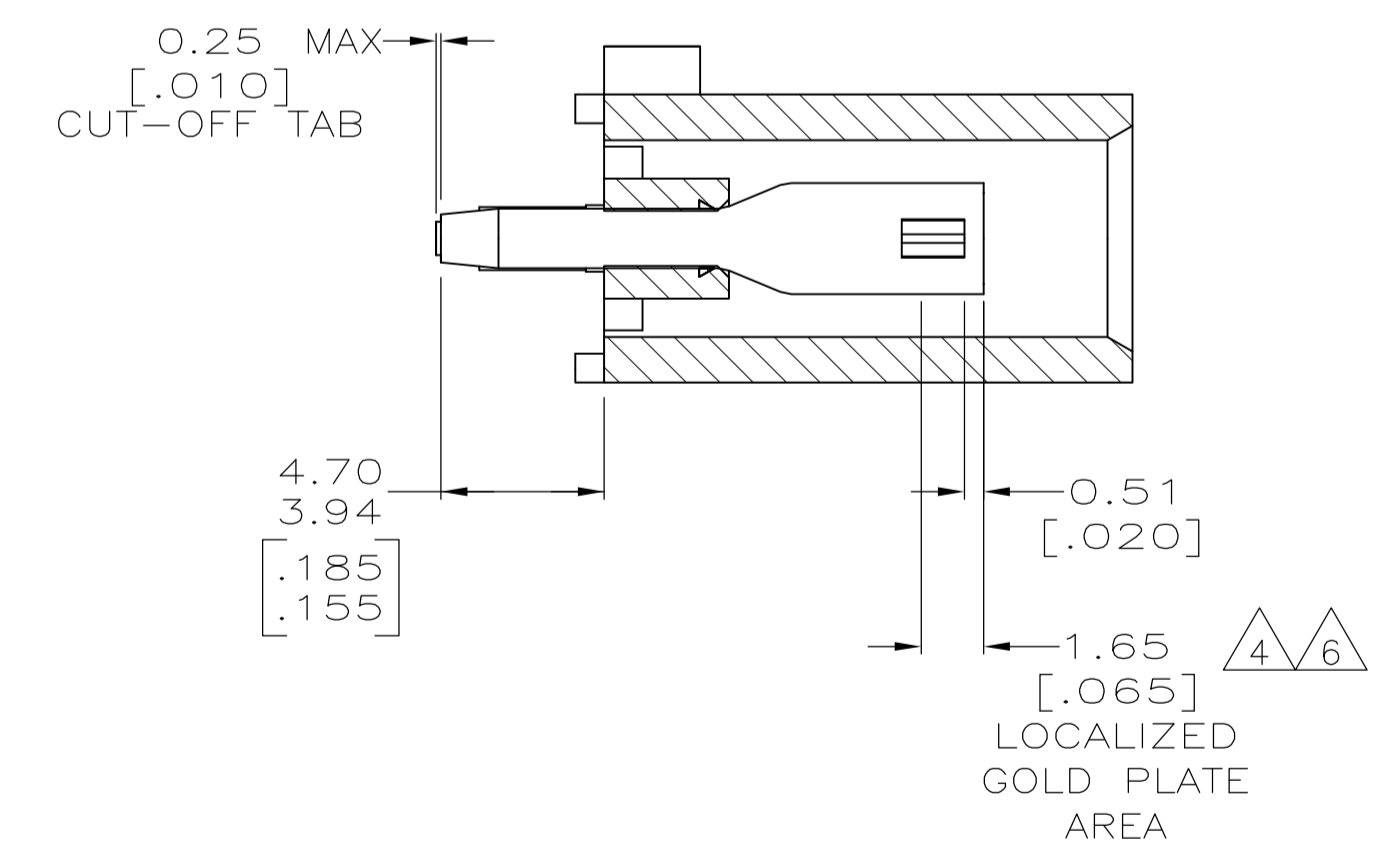
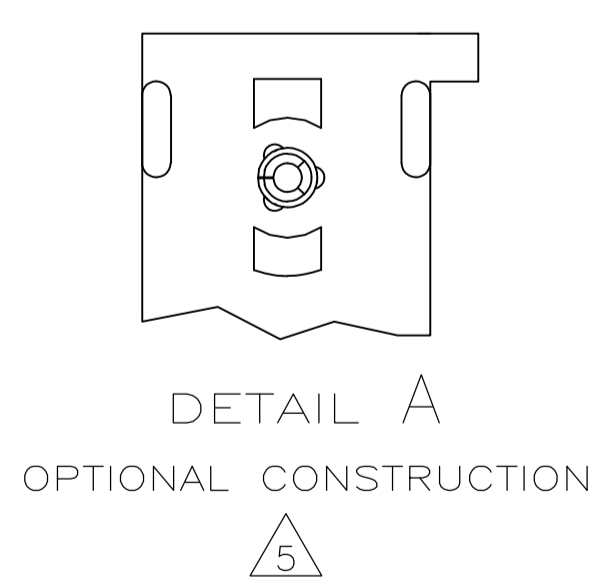
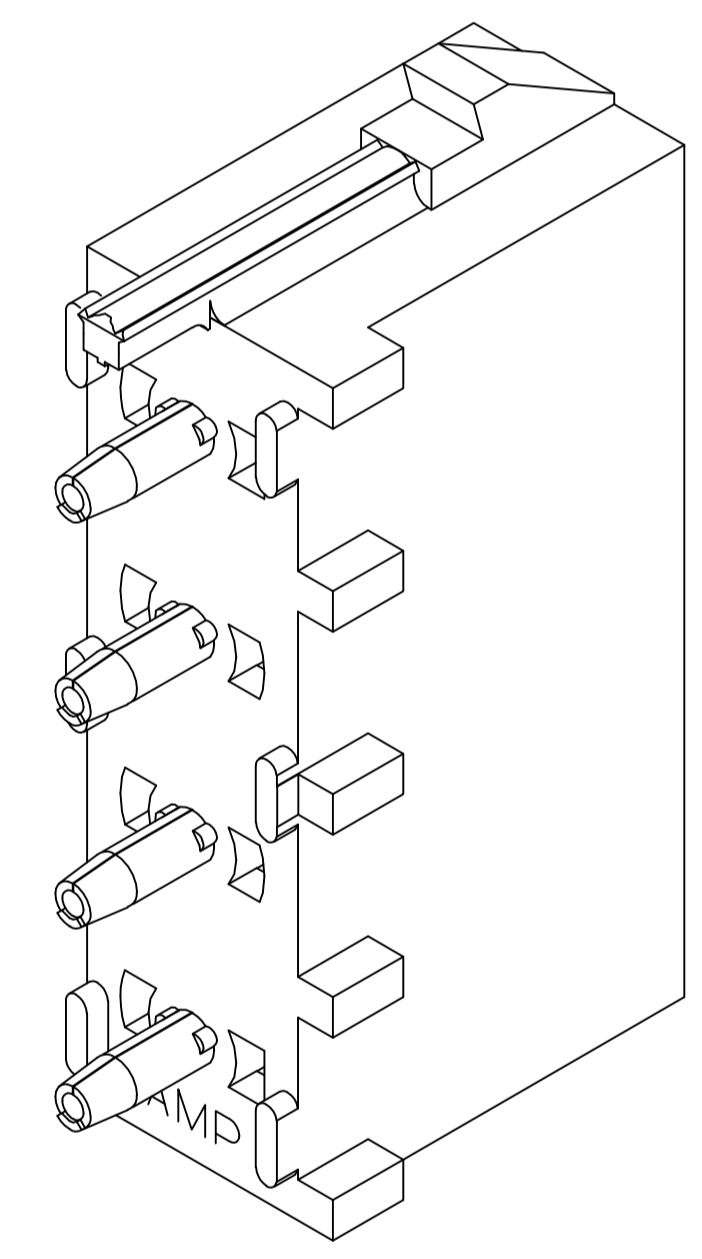


| LOC | | DIST | | REVISIONS | | | |
|-----|-----|---------------------------|---------|-----------|------|--|--|
| P | LTR | DESCRIPTION | DATE | DNW | APVD | | |
| B2 | | REVISED PER ECR-12-011660 | 06FEB13 | KH | TM | | |



- 1 PARTS COMPLY TO AMP SOLDERABILITY SPECIFICATION 109-11-3.
- 2 CIRCUIT IDENTIFICATION CHARACTERS ARE ADJACENT TO THE INDICATED CAVITIES, BUT LOCATION AND ORIENTATION MAY DIFFER FROM PRINT.
- 3 DIMENSIONS IN BRACKETS ARE IN INCHES.
- 4 CONTACT IS STAMPED FROM PRE-PLATED STOCK WHICH IS PLATED OVERALL WITH 0.00127 - 0.00178 [.000050 - .000070] NICKEL, THEN STRIPED WITH 0.00076 [.000030] GOLD IN CONTACT AREA INDICATED AND MATTE TIN LEAD ON SOLDER TAIL END.
- 5 DRAIN HOLES LOCATED AS SHOWN. OPTIONAL CONSTRUCTION- ALL DRAIN HOLES LOCATED 90° AS SHOWN IN DETAIL A.
- 6 CONTACT IS STAMPED FROM PRE-PLATED STOCK WHICH IS PLATED OVERALL WITH 0.00127 - 0.00178 [.000050 - .000070] NICKEL, THEN STRIPED WITH 0.00076 [.000030] GOLD IN CONTACT AREA INDICATED AND MATTE TIN ON SOLDER TAIL END.
- 7 SUPERSEDED BY 794783-3



| | | |
|-----------------------------|-----------------------|-------------|
| PHOSPHOR BRONZE, GOLD 6 | NYLON, UL94V-0, BLACK | 794783-3 |
| PHOSPHOR BRONZE, GOLD 4 | NYLON, UL94V-0, BLACK | 794783-2 |
| PHOSPHOR BRONZE, PRE-TIN | NYLON, UL94V-0, BLACK | 794783-1 |
| CONTACT MATERIAL AND FINISH | HOUSING MATERIAL | PART NUMBER |

| | | | |
|--|---------------------|-----------------------------------|--|
| THIS DRAWING IS A CONTROLLED DOCUMENT. | | DIN L. McEACHIN 19-JUN-2000 | TE Connectivity |
| DIMENSIONS: mm [INCHES] | | CHK K. COBLE 19-JUN-2000 | |
| TOLERANCES UNLESS OTHERWISE SPECIFIED: | | APVD K. COBLE 19-JUN-2000 | NAME SOCKET HEADER ASSEMBLY, POLARIZED, 4 CIRCUIT UNIVERSAL MATE-N-LOK™ |
| 0 PLC ± - | 1 PLC ± - | PRODUCT SPEC | APPLICATION SPEC |
| 2 PLC ± 0.13 [.005] | 3 PLC ± - | WEIGHT | SIZE A1 |
| 4 PLC ± - | ANGLES ± 0°30' | FINISH | CAGE CODE 00779 |
| MATERIAL SEE TABLE | FINISH SEE TABLE | RESTRICTED TO | DRAWING NO 794783 |
| CUSTOMER DRAWING | | SCALE 5:1 | SHEET 1 OF 1 |
| | | REV B2 | |

单击下面可查看定价，库存，交付和生命周期等信息

[>>TE Connectivity\(泰科\)](#)