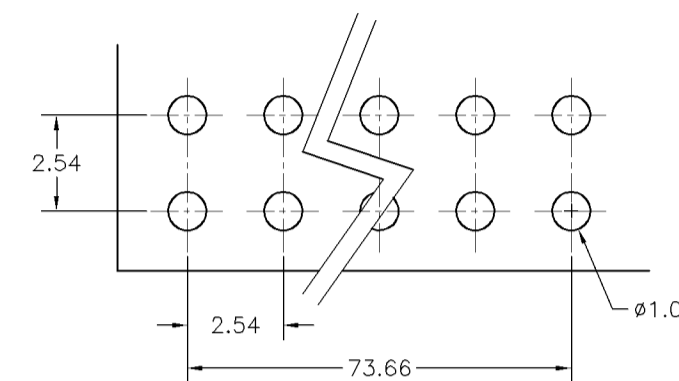
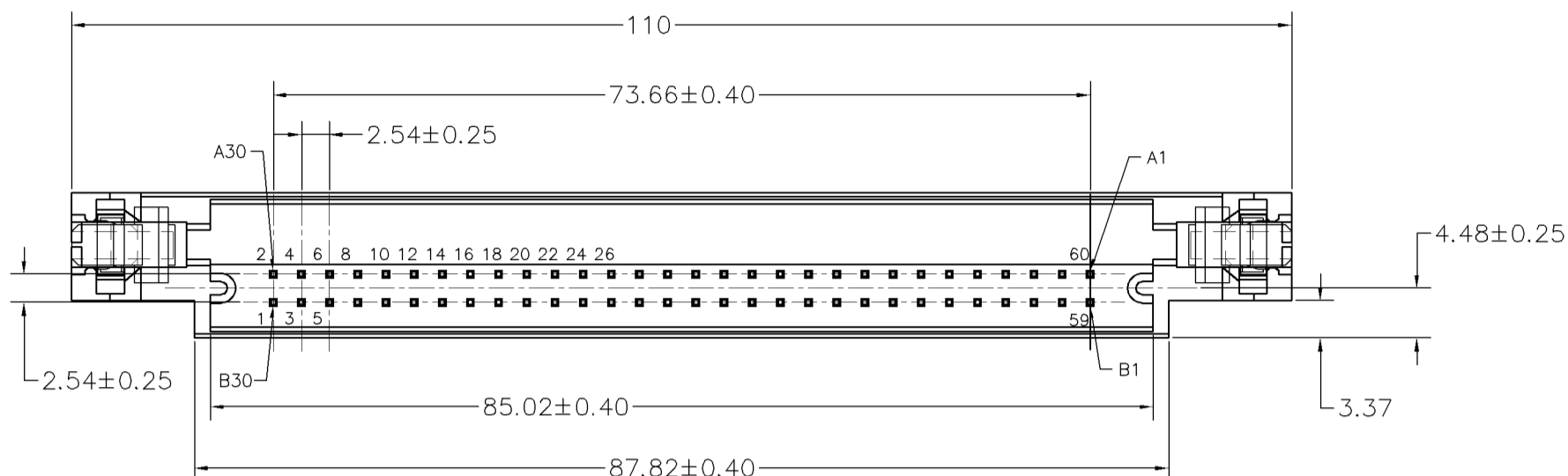


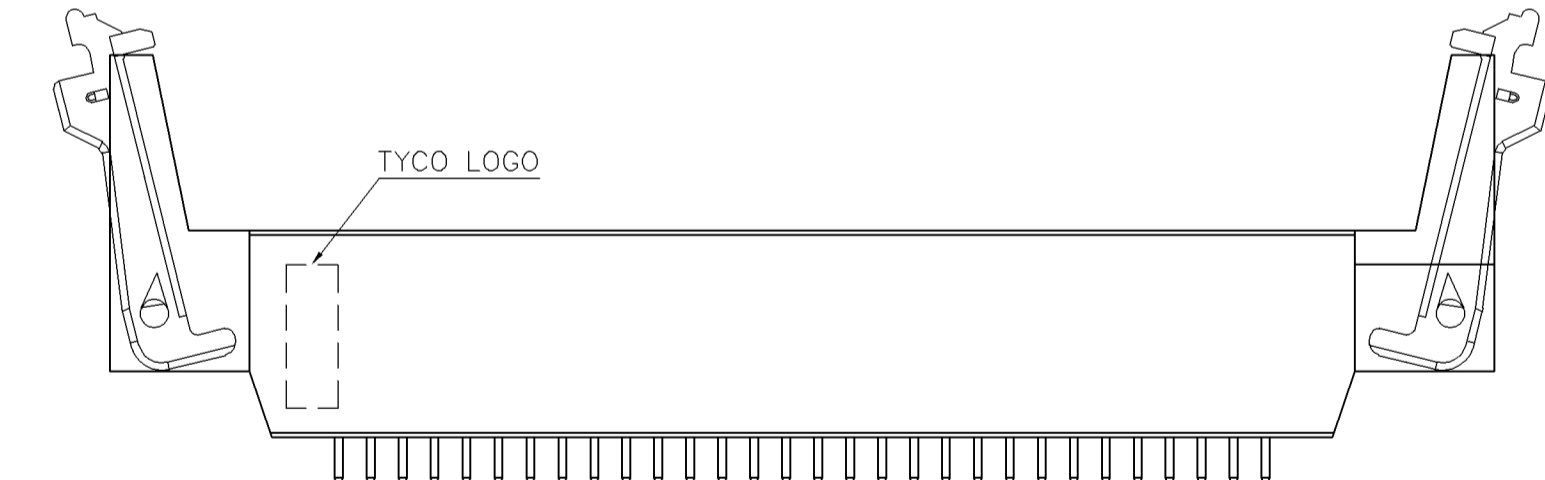
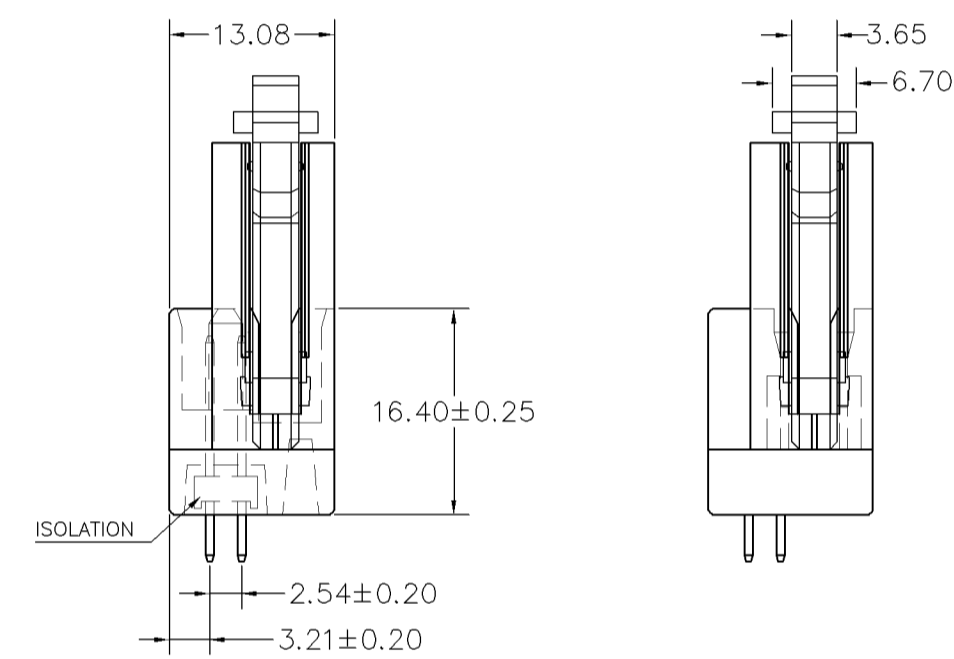
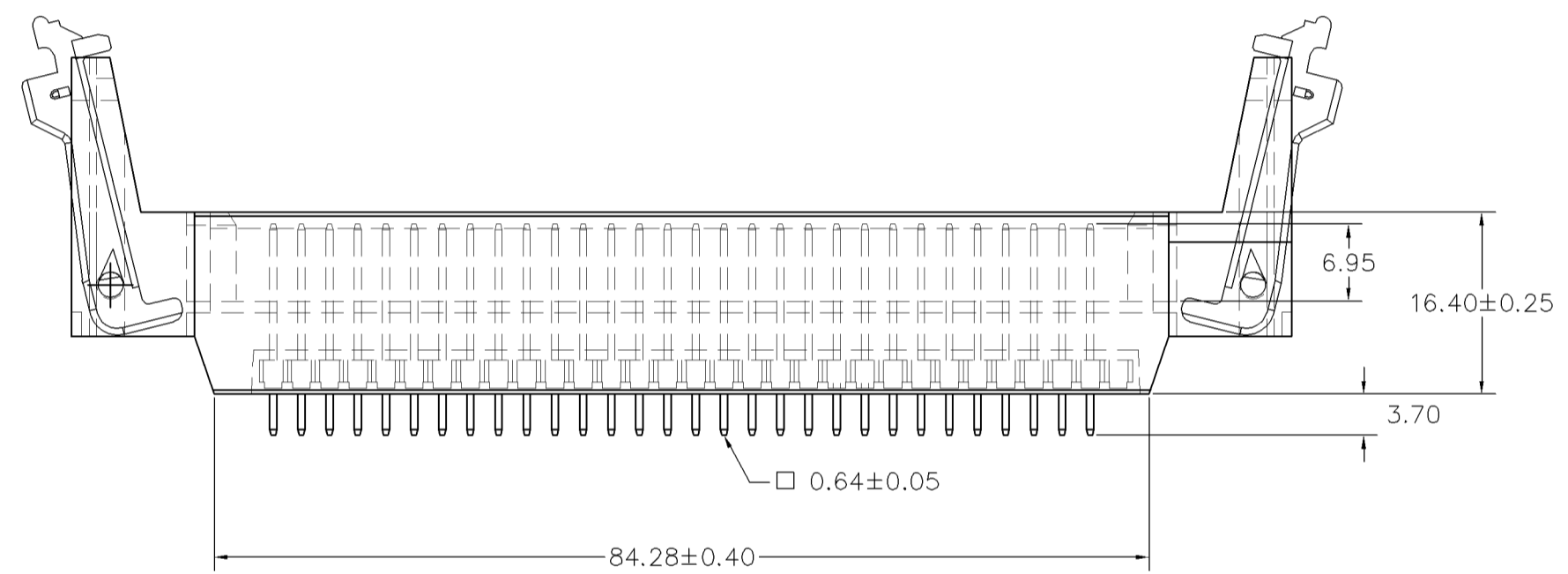
THIS DRAWING IS UNPUBLISHED. RELEASED FOR PUBLICATION

© COPYRIGHT BY TYCO ELECTRONICS CORPORATION. ALL RIGHTS RESERVED.

LOC	DIST	REVISIONS					
DW	—	P	LTR	DESCRIPTION	DATE	DWN	APVD
			A	RELEASED	10FEB2007	OH	WK



RECOMMENDED PCB LAYOUT



- NOTE:
- MATERIAL:
HOUSING: PA6T, UL 94V-0, BLACK COLOR.
LATCH: PA6T, UL 94V-0, BLACK COLOR.
ISOLATION OF PIN: PA9T, UL 94V-0, BLACK COLOR
CONTACTS: BRASS.
 - FINISH:
CONTACTS: 0.381µm [15µ"] MIN. GOLD PLATED ON CONTACT AREA,
2.54µm [100µ"] MIN. BRIGHT TIN ON SOLDER TAILS, WITH
ENTIRE CONTACT UNDERPLATED 1.27µm [50µ"] MIN. NICKEL.
 - WAVE SOLDER CAPABLE TO 265°C PER TYCO TEST SPEC.
109-202, CONDITION B.
 - SPECIFICATIONS:
CURRENT RATING: 3 AMPS.
INSULATOR RESISTANCE: 5000 MIN. MEGOHMS.
DIELECTRIC WITHSTANDING: AC 500 V.
OPERATING TEMPERATURE: -40°C ~ +105°C.

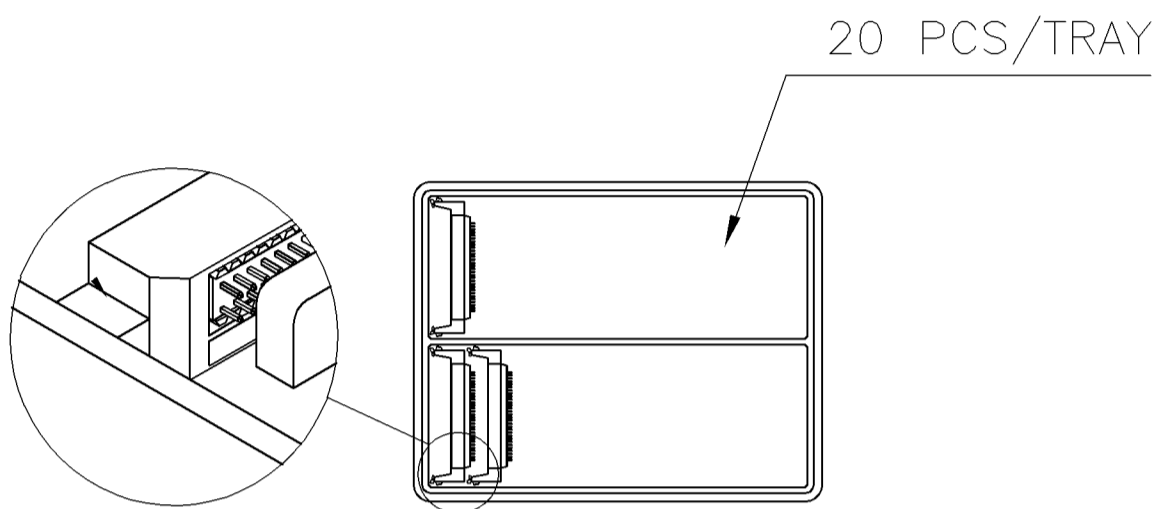
A23	16	1775616-3
A21	20	1775616-2
A19	24	1775616-1
SGI ID FOR OMITTED PIN	CIRCUITY CAVITY ID FOR OMITTED PIN	PART NUMBER

THIS DRAWING IS A CONTROLLED DOCUMENT.		DWN O. HU	08FEB2007	tyco Electronics	Tyco Holdings (Bermuda) VII Ltd. Taiwan Branch		
DIMENSIONS: MM		CHK S. HOU	08FEB2007		NAME		
TOLERANCES UNLESS OTHERWISE SPECIFIED:		APVD W.J. KE	08FEB2007	PRODUCT SPEC			
0 PLC ± 0.50		QUALIFICATION TEST REPORT		VRM HEADER			
1 PLC ± 0.40		---		SIZE	CAGE CODE	DRAWING NO	RESTRICTED TO
2 PLC ± 0.30		---		A300779			---
3 PLC ± -		---		C=1775616			---
4 PLC ± -		---		SCALE			SHEET
ANGLES ± -		---		---			1 OF 2
FINISH		---		REV			A
SEE NOTE		---		CUSTOMER DRAWING			---

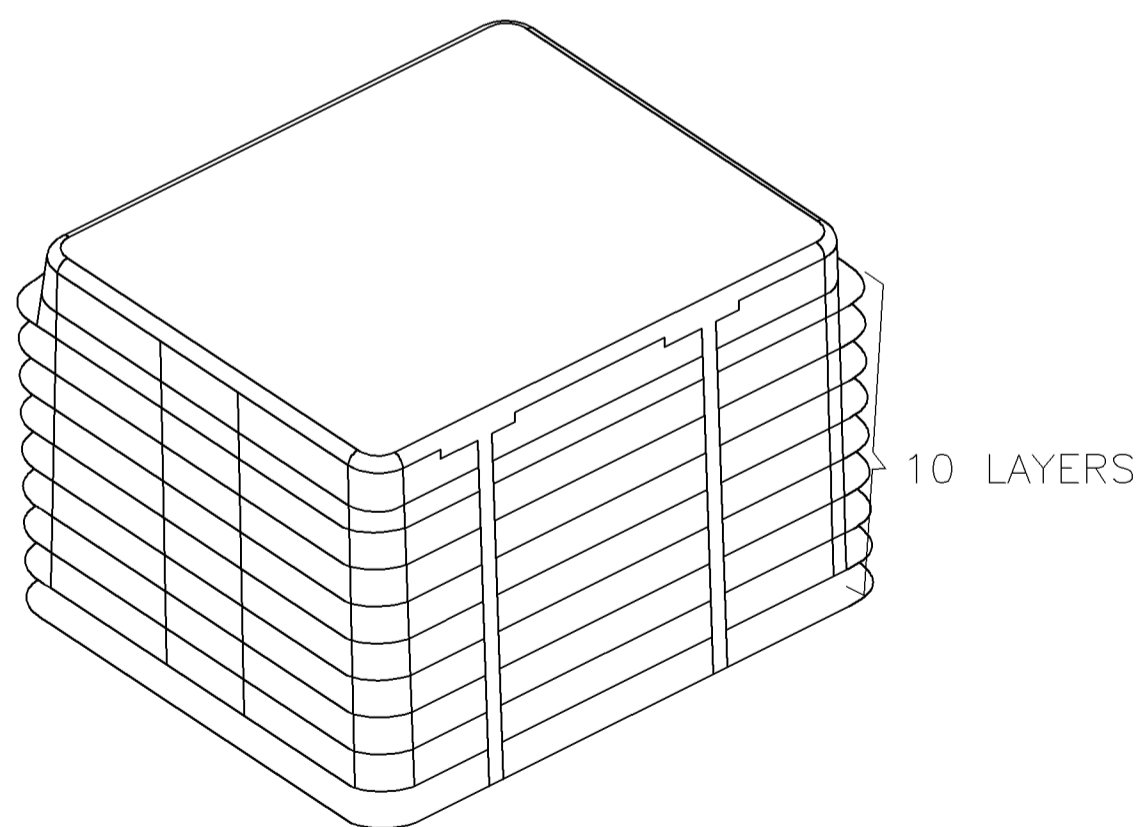
THIS DRAWING IS UNPUBLISHED. RELEASED FOR PUBLICATION
 © COPYRIGHT BY TYCO ELECTRONICS CORPORATION. ALL RIGHTS RESERVED.

LOC	DIST	REVISIONS			
P	LTR	DESCRIPTION	DATE	DWN	APVD
		SEE SHEET 1.			

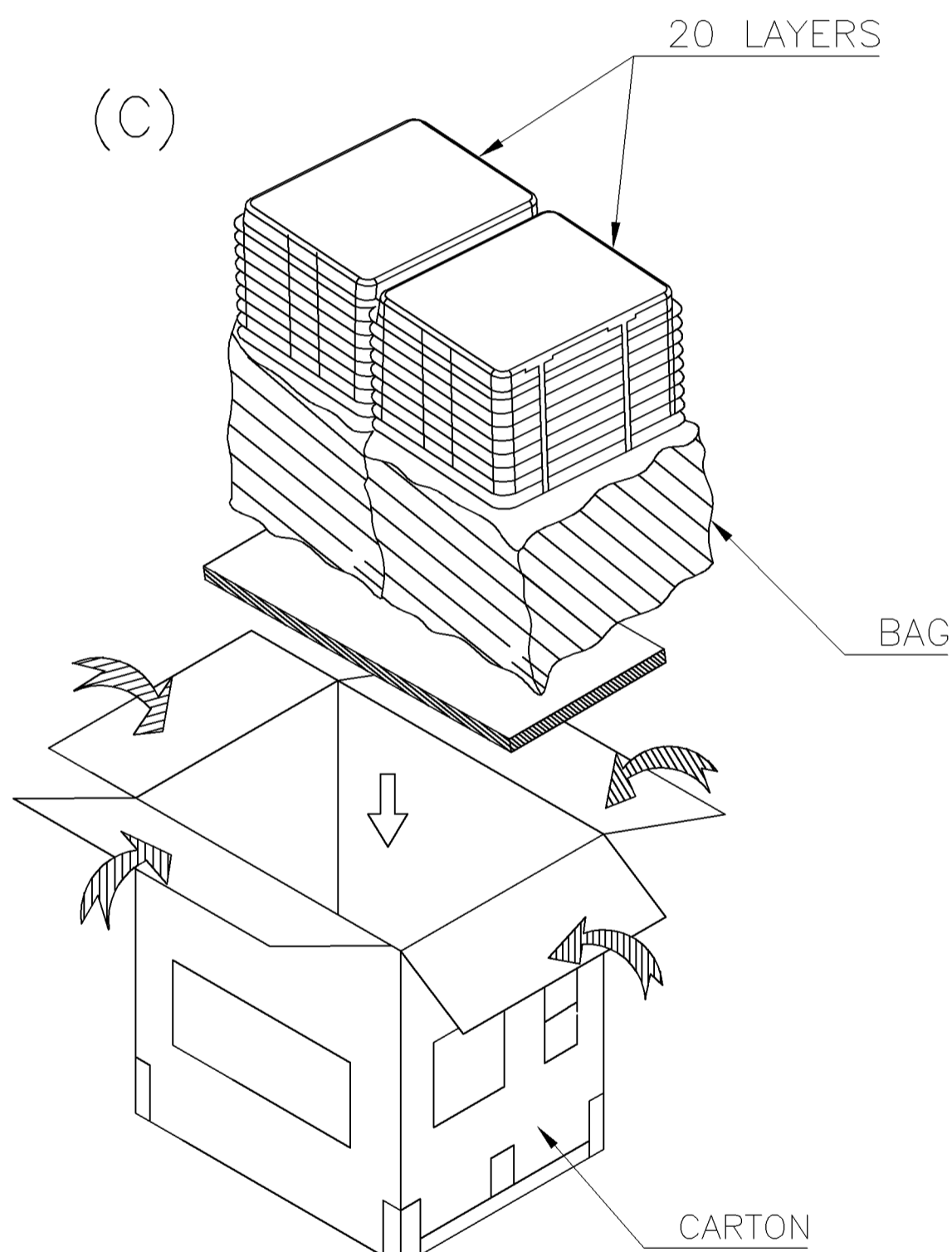
(A)



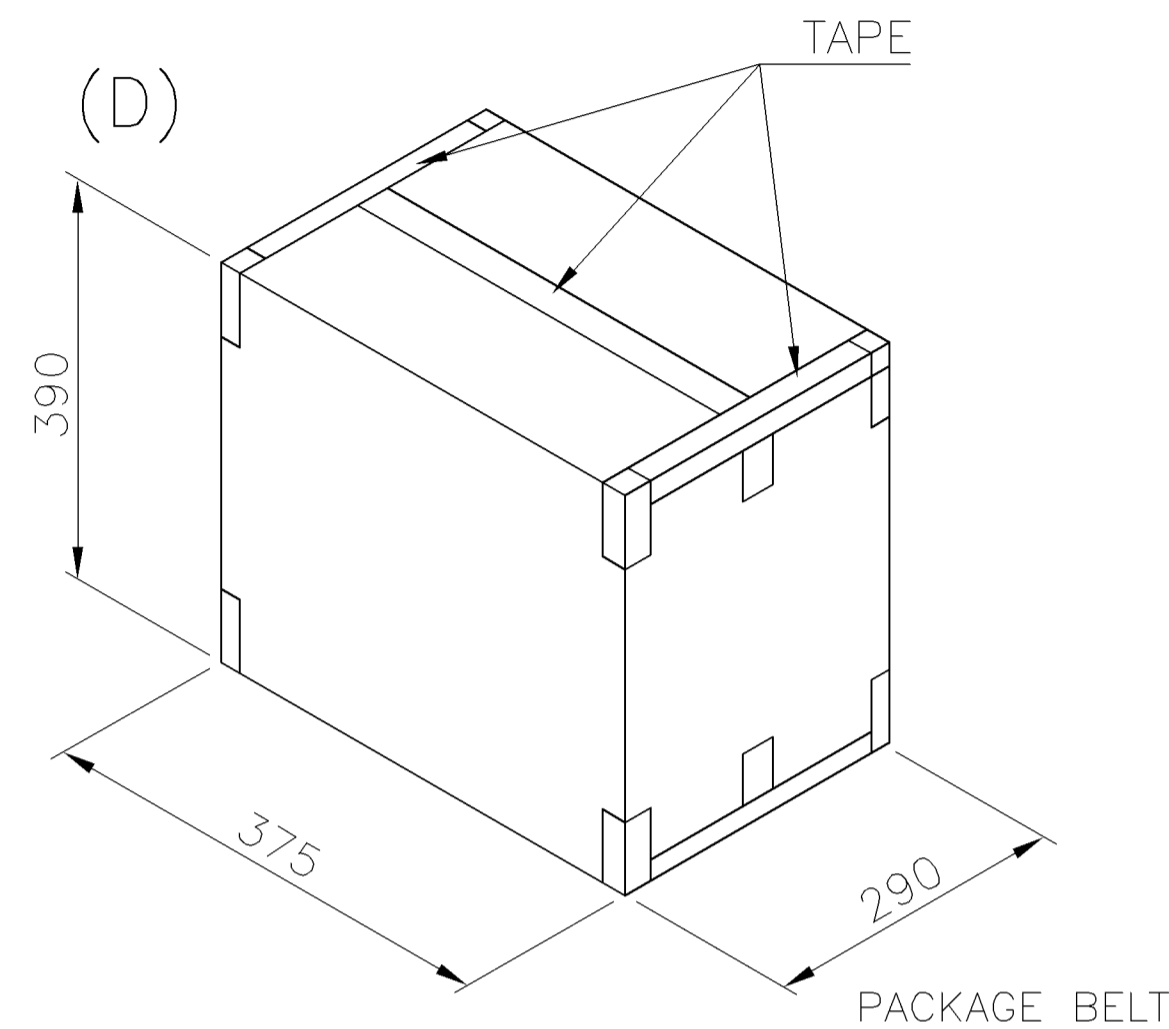
(B)



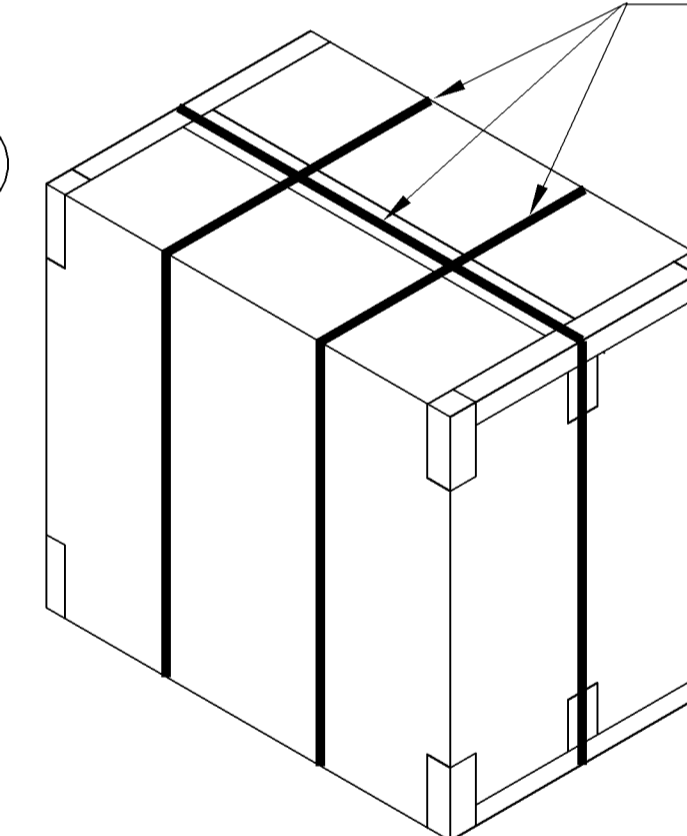
(C)



(D)



(E)



12.3 Kg	8.4 Kg	20	20	400 PCS
GROSS WEIGHT	NET WEIGHT	PCS/TRAY	TRAYS / CARTON	QUANTITY

THIS DRAWING IS A CONTROLLED DOCUMENT.

DIMENSIONS: MM	TOLERANCES UNLESS OTHERWISE SPECIFIED:
	0 PLC ± -
	1 PLC ± -
	2 PLC ± -
	3 PLC ± -
	4 PLC ± -
	ANGLES ± -
MATERIAL	FINISH

DWN	O. HU	08FEB2007
CHK	S. HOU	08FEB2007
APVD	W.J. KE	08FEB2007
PRODUCT SPEC	-	
APPLICATION SPEC	-	
WEIGHT	-	

tyco		Tyco Holdings (Bermuda)	
Electronics		VII Ltd. Taiwan Branch	
NAME			
VRM HEADER			
SIZE	CAGE CODE	DRAWING NO	RESTRICTED TO
A3	00779	C=1775616	-
CUSTOMER DRAWING		SCALE	SHEET 2 OF 2 REV A

单击下面可查看定价，库存，交付和生命周期等信息

[>>TE Connectivity\(泰科\)](#)