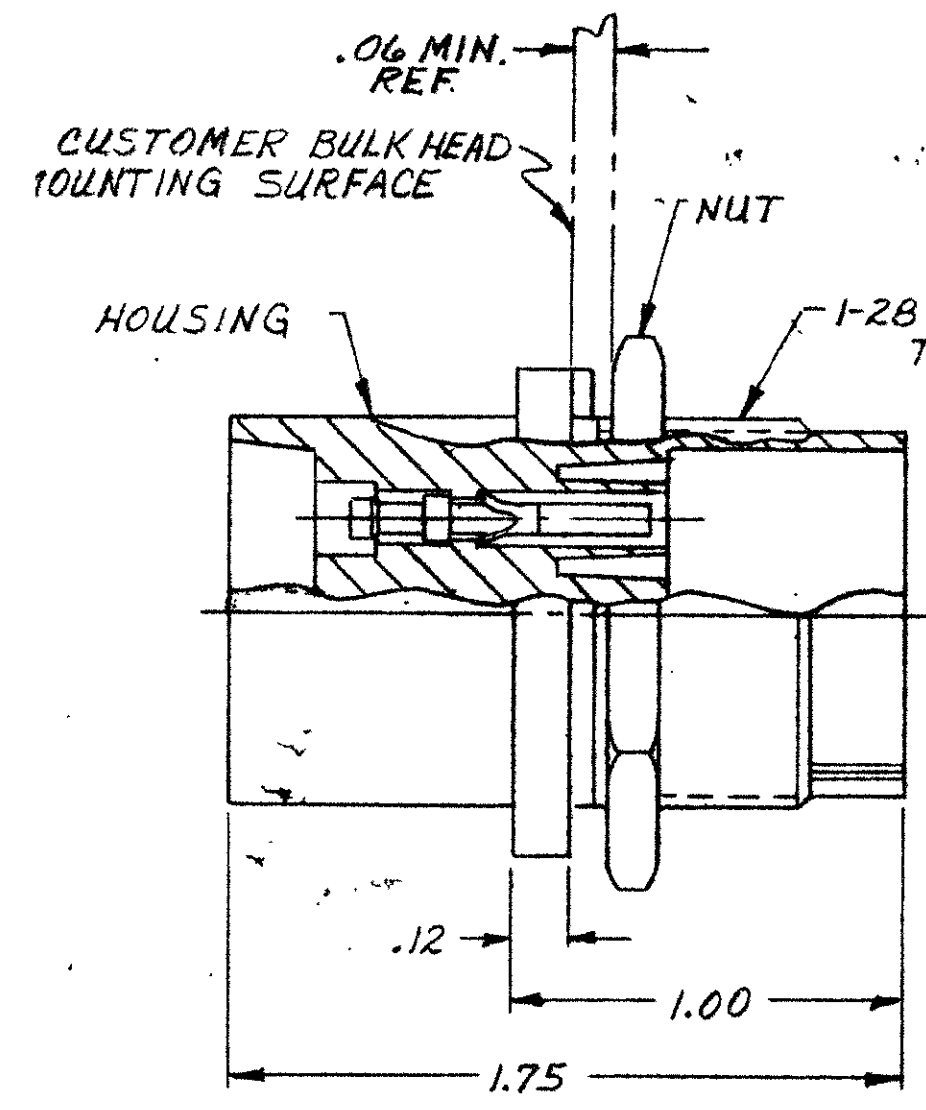


THIS PRODUCT DESIGNED AND BUILT BY AMP INCORPORATED. NO LICENSE TO USE THAT DESIGN IN MANUFACTURE, OR TO USE ANY DESIGN OR PENDING PATENTS WHICH ARE INVOLVED, IS IMPLIED.

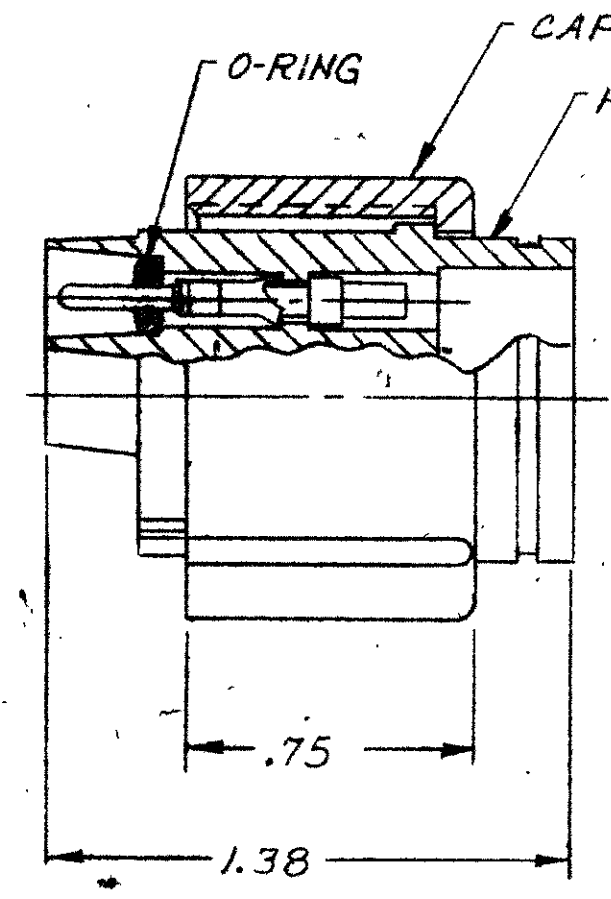
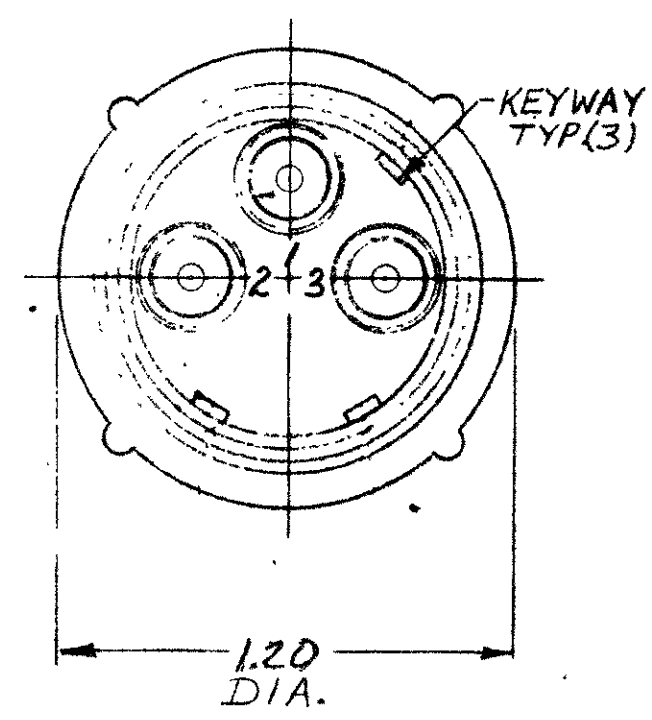
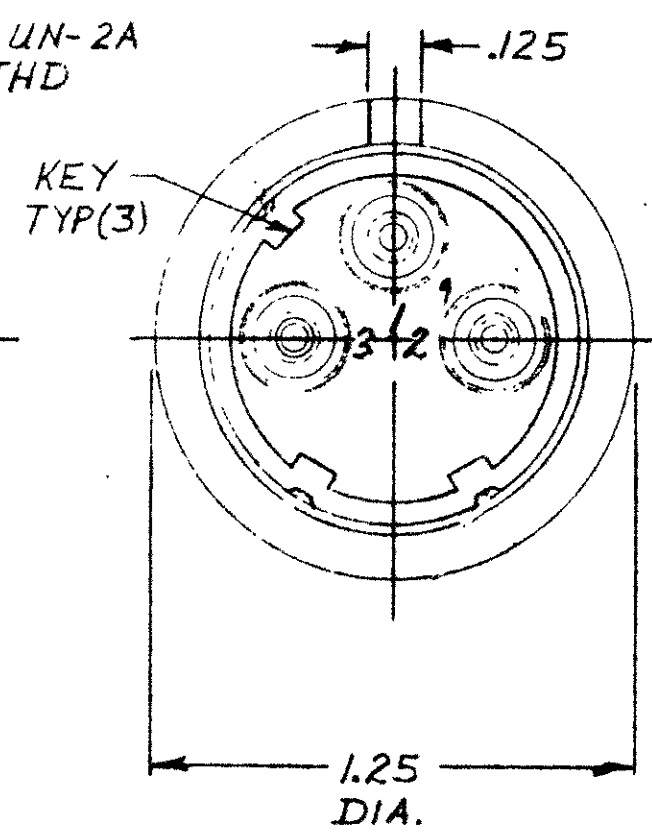
© 1976 BY AMP INCORPORATED. ALL RIGHTS RESERVED. AMP PRODUCTS COVERED BY PATENTS AND/OR PATENTS PENDING.

No part of this drawing may be reproduced or published without written permission of AMP Incorporated.

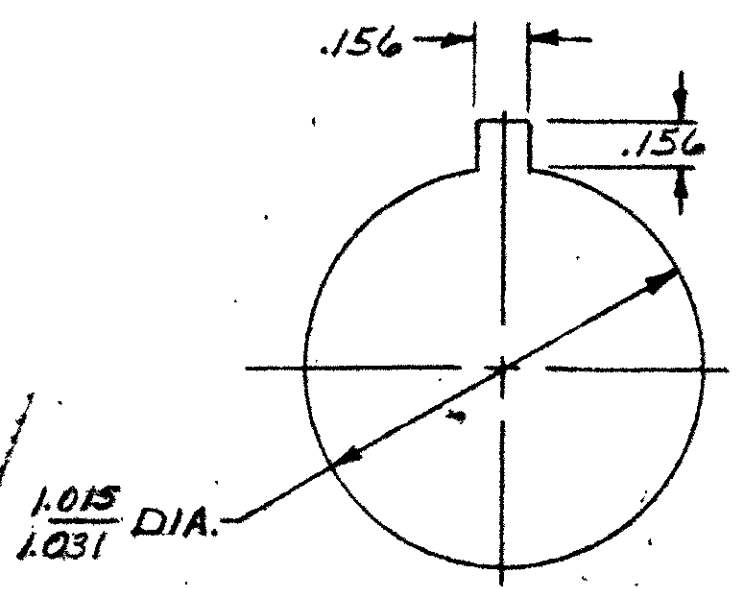
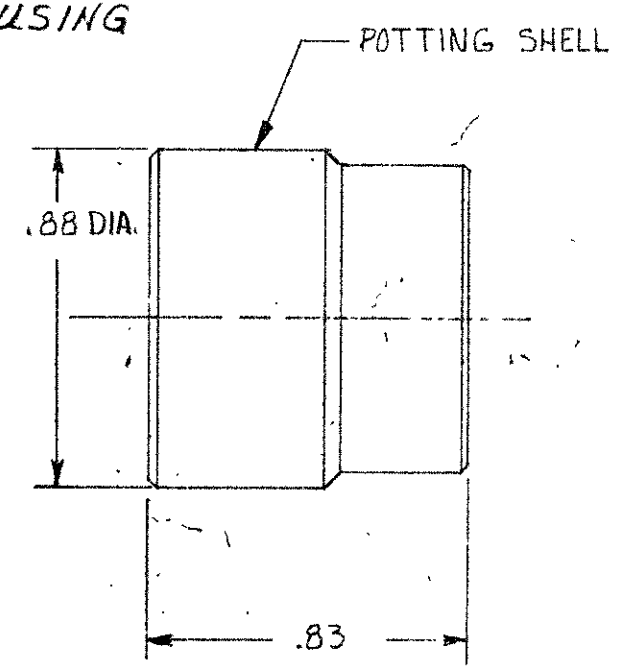
REVISIONS				
ZONE	LTR	DESCRIPTION	DATE	APPROVED
B-7	A	RECEPTACLE WAS -1-28-3	RN 2/1/78	
	B	REV. ESN 0750	RLL 4/10/78	
	C	REV PER 0414-120-03	CT 10/04	



RECEPTACLE



PLUG



RECOMMENDED PANEL CUTOUT

AMP P/N	RECEPTACLE	PLUG	WIRE SIZE RANGE	HAND TOOL
863016-1	859528-4	863021-1	20, 22, 24	45093
863016-2	859528-5	863021-2	16, 18	45094
863016-3	859528-6	863021-3	14	45098

NOTE:

- 1 TYPE II PINS & SOCKETS TO ACCEPT ONE (1) 20 AWG, (1) 22 AWG, OR (1) 24 AWG STRANDED WIRE
- 2 TYPE II PINS & SOCKETS TO ACCEPT ONE (1) 16 AWG OR (1) 18 AWG STRANDED WIRE
- 3 PINS & SOCKETS SUPPLIED SEPARATELY IN PLASTIC BAG
- 4 TYPE II PINS & SOCKETS TO ACCEPT ONE (1) 14 AWG STRANDED WIRE.

QTY REQD	QTY REQD	ITEM NO.	DWG SIZE	PART OR IDENTIFYING NO.	NOMENCLATURE OR DESCRIPTION	SYMBOL
-2	-1					

UNLESS OTHERWISE SPECIFIED: DIMENSIONS ARE IN INCHES TOLERANCES .00 ± .000 ±		CONTRACT NO. DR - DICK STONE 3-2-76		AMP INCORPORATED CAPITRON DIVISION ELIZABETHTOWN, PENNSYLVANIA	
MATERIAL: MOLDED PLASTIC		CHK		NAME 3 PIN PLUG & RECEPTACLE KIT	
FINISH: BLACK		APPD		SIZE CODE IDENT NO. NUMBER C 00779 863016	
NEXT ASSY		OTHER APPD		REV C	
QTY REQD		APPLICATION		SCALE 2-1	
				SHEET 10/1	

单击下面可查看定价，库存，交付和生命周期等信息

[>>TE Connectivity\(泰科\)](#)