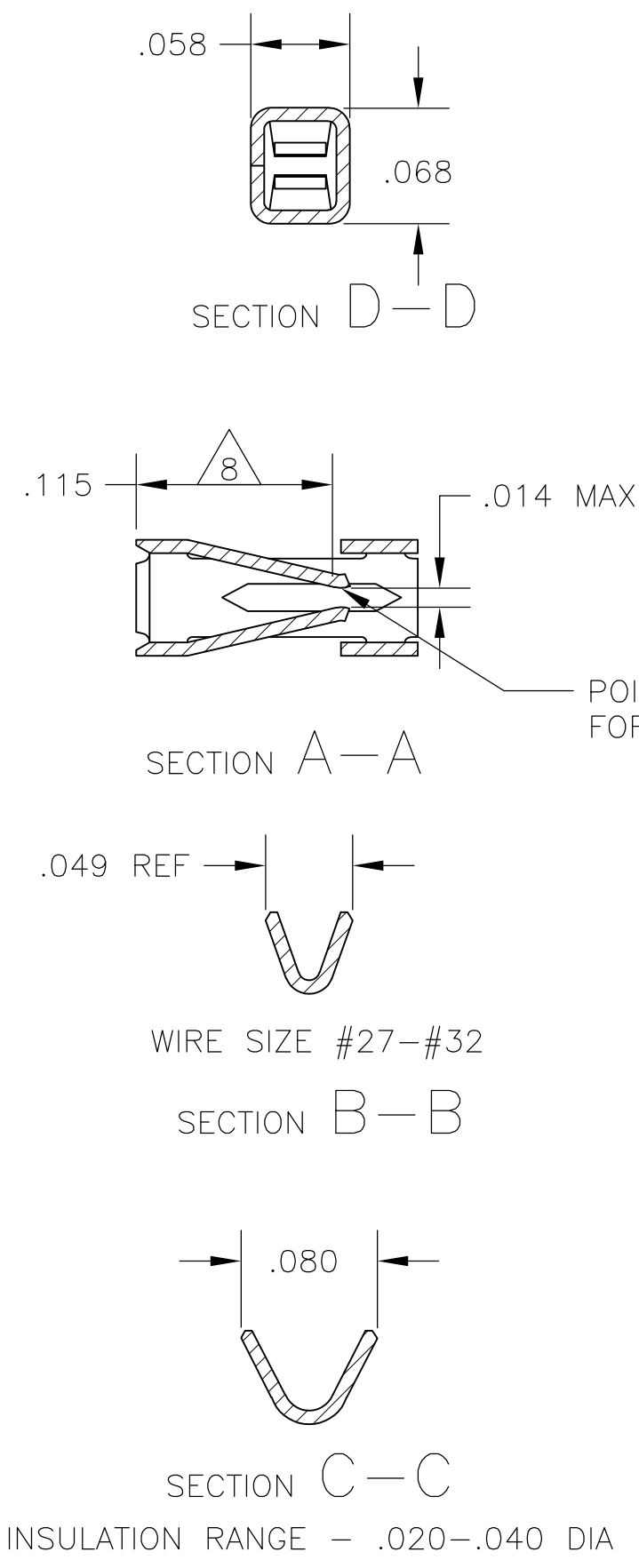
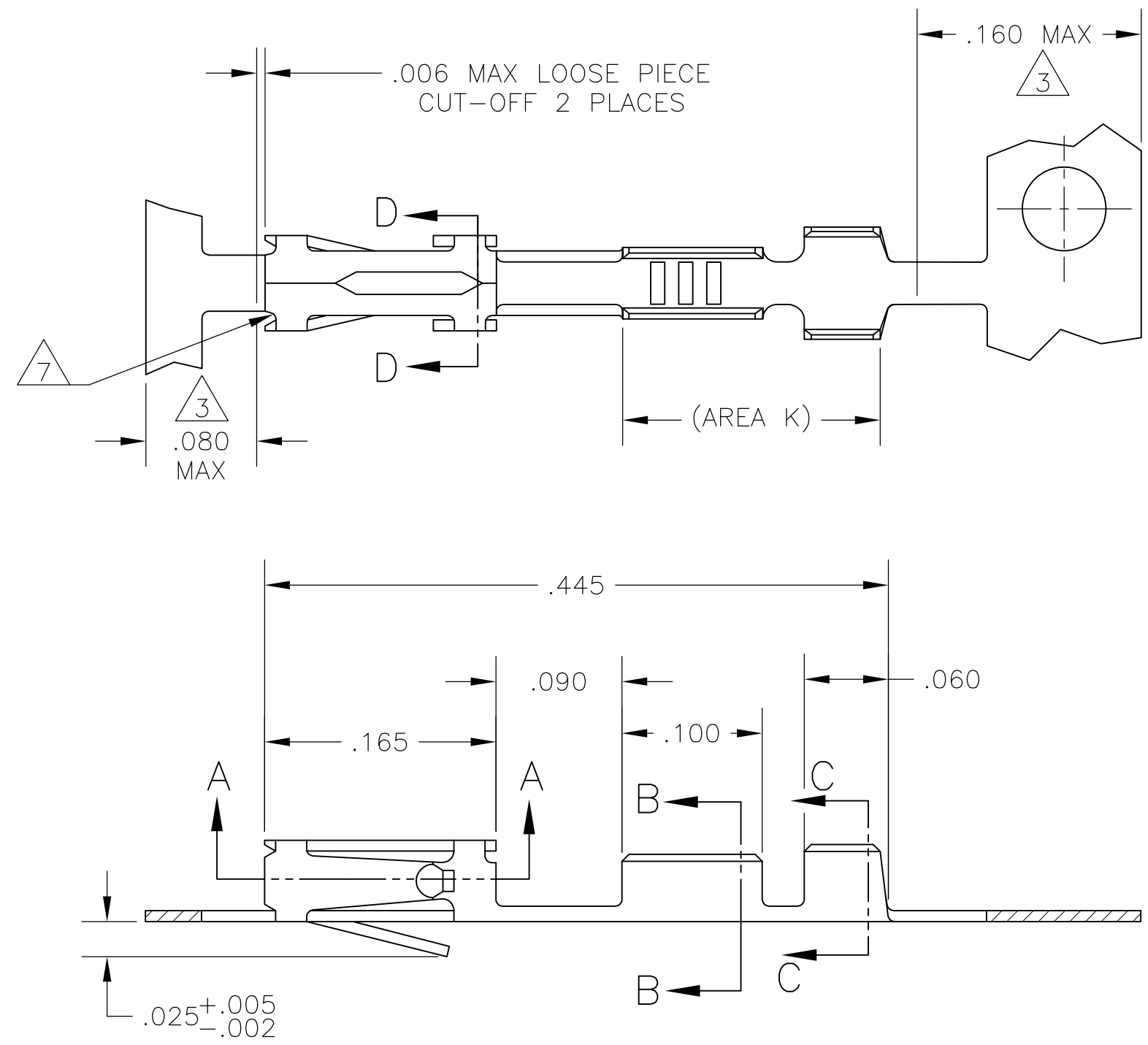


THIS DRAWING IS UNPUBLISHED. RELEASED FOR PUBLICATION
 © COPYRIGHT - By - ALL RIGHTS RESERVED.

LOC		DIST		REVISIONS			
P	LTR	DESCRIPTION		DATE	DWN	APVD	
AD	00	J		REVISED PER ECO-15-004633	18JUN2015	NK	JO



- 1 .000030 GOLD ON CONTACT AREA, GOLD FLASH ON REMINDER OVER .000050 NICKEL.
- 2 RELEED FOR MIN APPLICATOR.
- 3 GOLD PLATING IS NOT REQUIRED IN THIS AREA.
- 4 HAND TOOL MUSED FOR CRIMPING L.P. CONTACT IS #90358-1.
- 5 .0000150 GOLD ON CONTACT AREA, .00010-.000200 93/7 BRIGHT TIN-LEAD IN AREA K, ALL OVER .000050 NICKEL.
- 6 .000030 GOLD ON CONTACT AREA, .00010-.000200 93/7 BRIGHT TIN-LEAD IN AREA K, ALL OVER .000050 NICKEL.
- 7 CUT-OUTS ON THE BOX ARE AT MANUFACTURERS OPTION.
- 8 POINT OF MEASUREMENT FOR PLATING THICKNESS(INSIDE BEAMS).
- 9 OBSOLETE PART NUMBER.

LOOSE PIECE	4	6	9	102918-6
SUPERCEDED BY 102918-1		6	9	102918-5
LOOSE PIECE	4	5	9	102918-4
		5	9	102918-3
LOOSE PIECE	4	1		102918-2
		1		102918-1
REMARKS	FINISH	PART NUMBER		

THIS DRAWING IS A CONTROLLED DOCUMENT.		DWN	KATE HELM	03MAY89	TE TE Connectivity
DIMENSIONS: INCHES		CHK	C. OBERMAN	02JUN89	
TOLERANCES UNLESS OTHERWISE SPECIFIED:		APVD	J. GESFORD	02JUN89	
0 PLC ± - 1 PLC ± - 2 PLC ± - 3 PLC ± .005 4 PLC ± - ANGLES ± -		PRODUCT SPEC	108-25021		
MATERIAL: CU-NI-SI		FINISH	SEE TABLE		NAME: CONTACT, MOD IV 1/2, RECEPTACLE, CRIMP SNAP-IN
		WEIGHT	-		SIZE: A2
		CUSTOMER DRAWING	SCALE: 10:1	SHEET: 1 of 1	RESTRICTED TO: -

单击下面可查看定价，库存，交付和生命周期等信息

[>>TE Connectivity\(泰科\)](#)