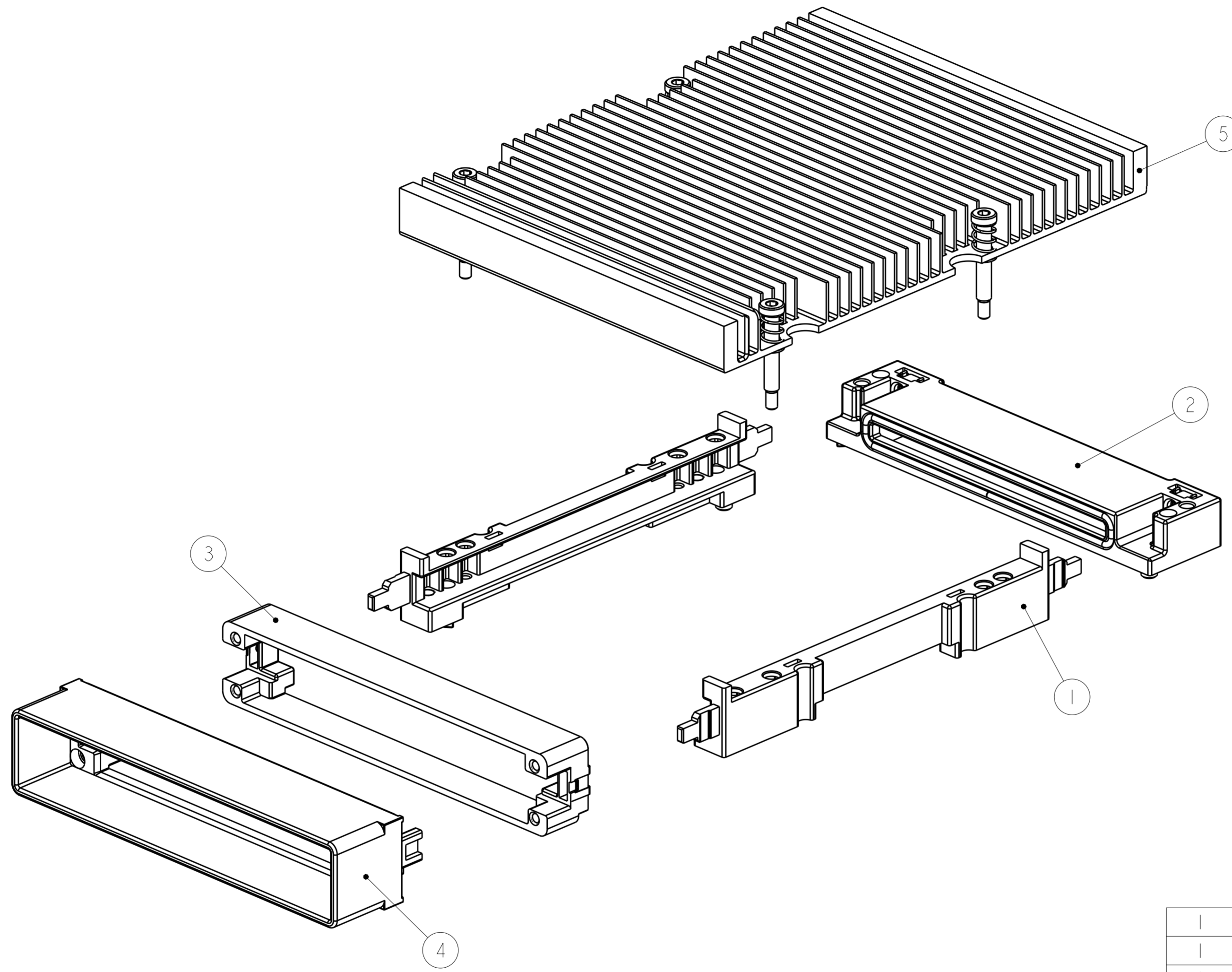



THIS DRAWING IS UNPUBLISHED. RELEASED FOR PUBLICATION 20  
 © COPYRIGHT 20 BY - ALL RIGHTS RESERVED.

LOC	DIST	REVISIONS					
GP	00	P	LTR	DESCRIPTION	DATE	DWN	APVD
		B		REVISED PER ECO-12-021786	04MAR2013	CJV	MRS
		BI		UPDATE ERROR PN	22JAN2019	IT	SH



1	1963856-1	HEATSINK ASSEMBLY	5
1	2057626-1	EXTERNAL BRACKET ASSEMBLY	4
1	2057928-3	BACKER PLATE	3
1	2057631-1	CONNECTOR COVER ASSEMBLY	2
2	2057592-2	GUIDE RAIL	1
- 1	PART NUMBER	DESCRIPTION	ITEM NO

THIS DRAWING IS A CONTROLLED DOCUMENT. DIMENSIONING AND TOLERANCING PER ASME Y14.5M-2009		DWN B. MATTHEWS 10 JUN 2011	 TE Connectivity CFP HARDWARE KIT NO HEATSINK
DIMENSIONS: mm		CHK M. SCHMITT 10 JUN 2011	
TOLERANCES UNLESS OTHERWISE SPECIFIED:		APVD M. SCHMITT 10 JUN 2011	
0 PLC ± 1 PLC ± 2 PLC ± 3 PLC ± 4 PLC ± ANGLES ± FINISH		PRODUCT SPEC 108-2399 APPLICATION SPEC 114-13263 WEIGHT -	
MATERIAL	-	CUSTOMER DRAWING	NAME SIZE CAGE CODE DRAWING NO RESTRICTED TO A200779 C-2180837 SCALE SHEET OF REV BI

单击下面可查看定价，库存，交付和生命周期等信息

[>>TE Connectivity\(泰科\)](#)