

4

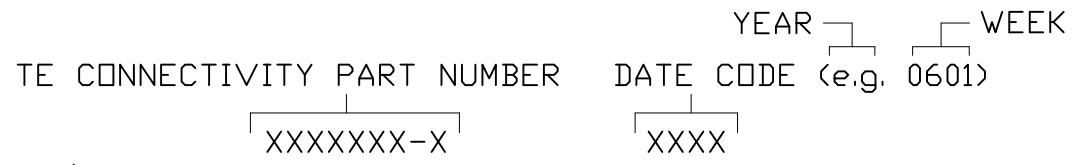
3

2

1

REVISIONS			
EC	REV	DESCRIPTION	DATE
CPR	A1	REVISED PER ECO-11-005140	25MAR11

- 7. CONTACTS PURCHASED SEPARATELY.
- 6. ELCON EQUIVALENT SERIES 298-08-01100.
- 5. ITEMS PROVIDED TO THIS SPECIFICATION TO BE PERMANENTLY IDENTIFIED PER THE FOLLOWING IDENTIFIER:



△ A REFERENCE DIMENSION (X.XX) IS WITHOUT TOLERANCE AND USED FOR INFORMATION ONLY.

- 3. FINISHES:  
RETENTION CLIPS: BRITE DIP PICKLED PER INDUSTRY STANDARDS.
- 2. MATERIALS:  
INSULATORS: THERMOPLASTIC, GLASS REINFORCED, UL94V-0 FLAMMABILITY RATED, COLOR-BLACK.  
RETENTION CLIPS: COPPER OR STAINLESS STEEL.

1. PART NUMBER CHANGES AND OR DESIGN CHANGES AFFECTING ITEM INTERCHANGEABILITY REQUIRE PRIOR TE CONNECTIVITY APPROVAL AND AUTHORIZATION BY REVISION TO THIS DRAWING.

NOTES: UNLESS OTHERWISE SPECIFIED

PART NUMBER
1648206-1

<p>THIRD ANGLE PROJECTION</p> <p>UNLESS OTHERWISE SPECIFIED DIMENSIONS ARE IN INCHES (METRIC)</p> <p>TOLERANCES</p> <p>ANGLES ± .5°</p> <p>DECIMALS</p> <p>.XXX ± .010 (.25)</p> <p>.XX ± .02 (.3)</p>	<p>INCH OR INCH (MM)</p> <p>← INCH →</p> <p>MM</p>	<p>DRAWN</p> <p>R. F. A.</p>	<p>DATE</p> <p>3/1/06</p>			
	CHECKED		<p>TITLE</p> <p>CONNECTOR, SOCKET</p> <p>SIZE #12, #20, #12 CONFIG.</p> <p>LOWER DRAWER</p>			
	APPROVED					
	APPROVED		<p>S. FLICKINGER</p>	<p>3/3/06</p>	<p>SIZE</p> <p>B</p>	<p>DWG NUMBER</p> <p>C= 1648206</p>
DCA APPROVED		<p>ACAD FILE NUMBER</p> <p>C1648206A.DWG</p>		<p>DWG SCALE</p> <p>1=1</p>	<p>SH 1 OF 2</p>	

4

3

2

1

4

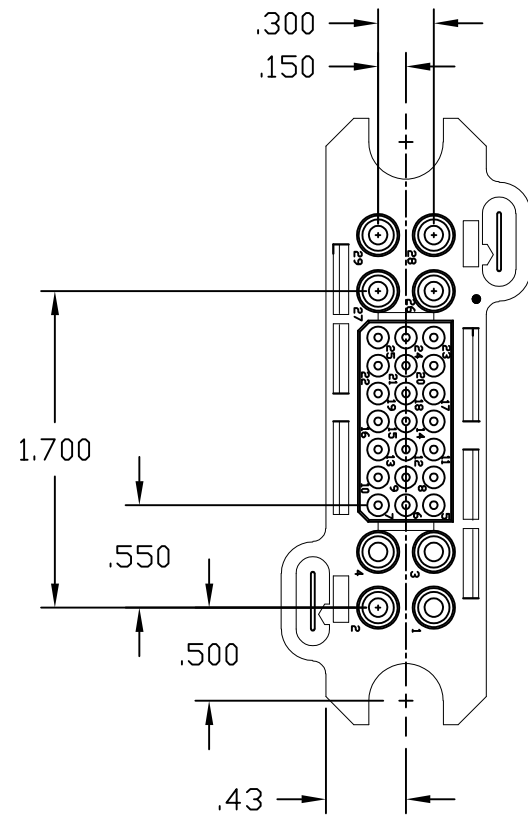
3

2

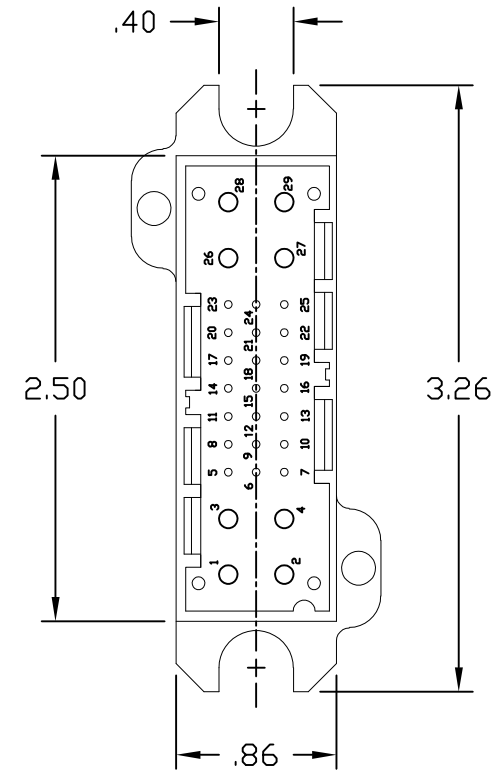
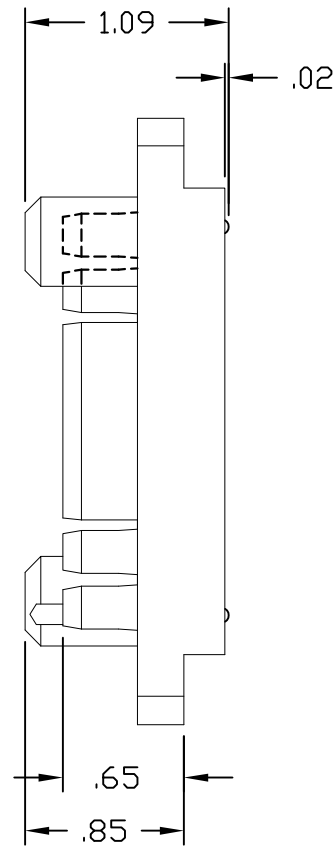
1

REVISIONS

EC	REV	DESCRIPTION	DATE
		SEE SHEET 1	



FRONT VIEW



REAR VIEW

<p>INCH OR INCH (MM) MM</p> <p>THIRD ANGLE PROJECTION</p> <p>UNLESS OTHERWISE SPECIFIED DIMENSIONS ARE IN INCHES (METRIC)</p> <p>TOLERANCES</p> <p>ANGLES ± .5°</p> <p>DECIMALS</p> <p>.XXX ± .010 (.25)</p> <p>.XX ± .02 (.3)</p>	<p>DRAWN R. F. A.</p>	<p>DATE 3/1/06</p>	<p><b>TE</b> TE Connectivity <b>ELCON</b></p>		
	<p>CHECKED</p>		<p>TITLE</p> <p>CONNECTOR, SOCKET SIZE #12, #20, #12 CONFIG. LOWER DRAWER</p>		
	<p>APPROVED</p>		<p>APPROVED</p> <p>S. FLIKINGER</p>	<p>DATE</p> <p>3/3/06</p>	<p>REV.</p> <p>A1</p>
	<p>DCA APPROVED</p>		<p>ACAD FILE NUMBER</p> <p>C1648206A.DWG</p>	<p>SIZE</p> <p>B</p>	<p>DWG NUMBER</p> <p>C= 1648206</p>
		<p>DWG SCALE</p> <p>1=1</p>	<p>SH 2 OF 2</p>		

4

3

2

1

单击下面可查看定价，库存，交付和生命周期等信息

[>>TE Connectivity\(泰科\)](#)