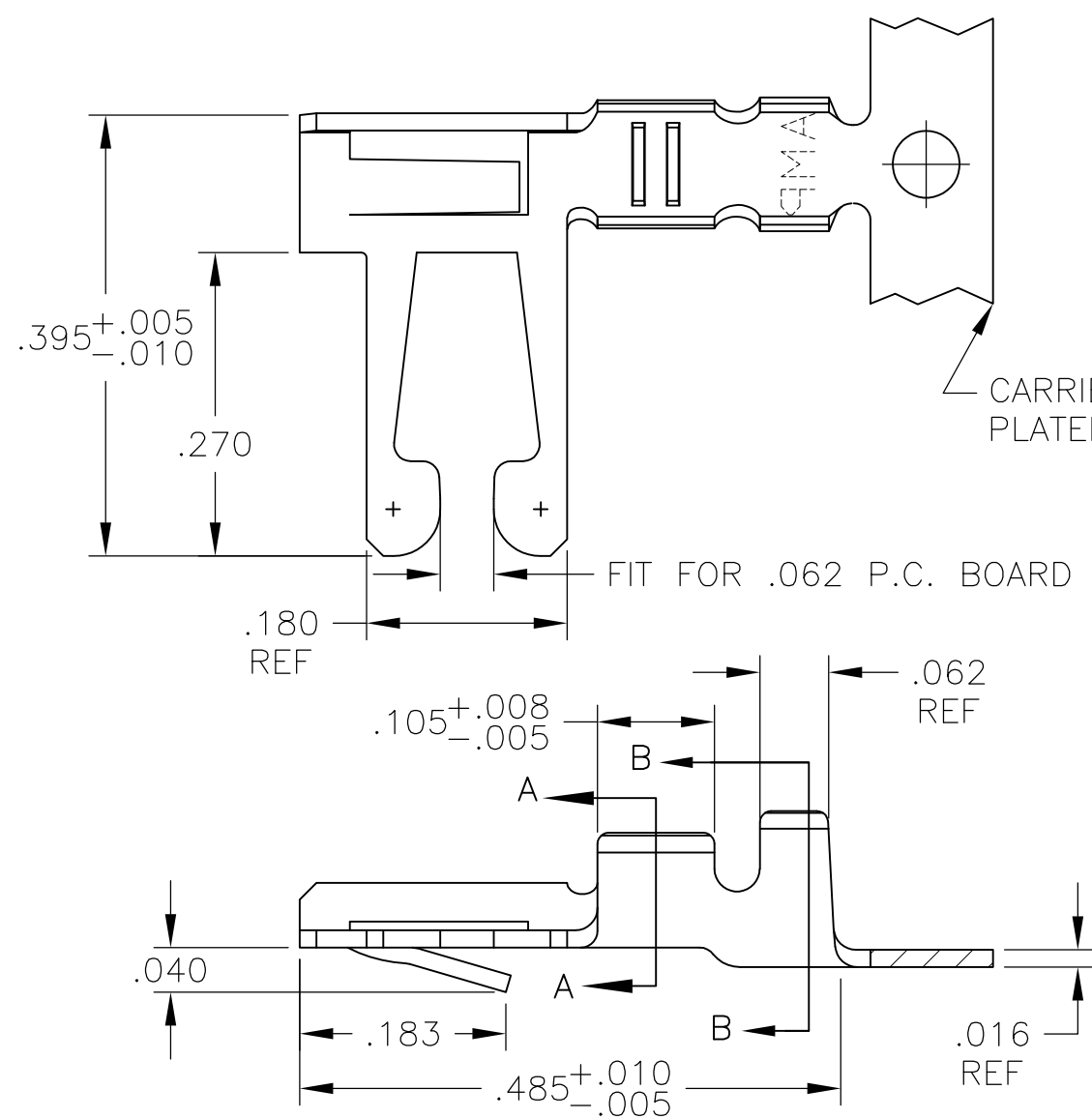


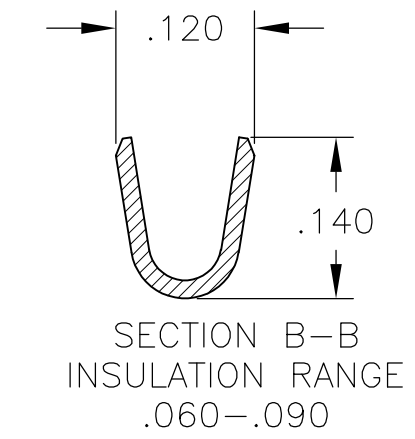
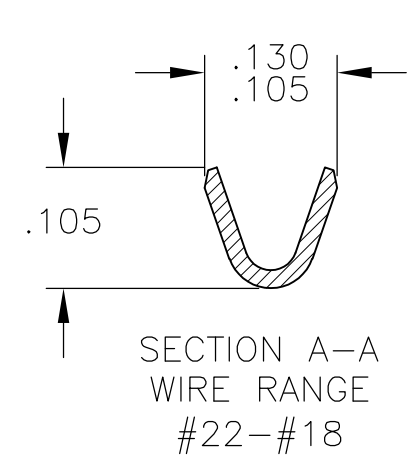
THIS DRAWING IS UNPUBLISHED. RELEASED FOR PUBLICATION

© COPYRIGHT BY TYCO ELECTRONICS CORPORATION. ALL RIGHTS RESERVED.

LOC	DIST	REVISIONS			
P	LTR	DESCRIPTION	DATE	DWN	APVD
AD	00				
	H	ECO 05 006319	22MAY06	BSV	MK
	H1	REV PER ECO-09-021510	10SEP09	KK	AEG



- REFER TO CUSTOMER 582370 SERIES AND CUSTOMER 582380 SERIES FOR HOUSING AND P.C. BOARD REQUIREMENTS
- $\triangle 2$.000015 GOLD OVER .000050 NICKEL IN CONTACT AREA. REMAINDER OF CONTACT .000050 NICKEL.
- $\triangle 3$.000030 GOLD OVER .000050 NICKEL IN CONTACT AREA. .000050 NICKEL ON REMAINDER OF CONTACT.
- $\triangle 4$ L-R FEED FOR MINI-APPL.
- $\triangle 5$ OBSOLETE PARTS: OBSOLETE CIS STREAMLINING PER D.RENAUD/D.SINISI



$\triangle 5$	OBSOLETE	MATTE TIN	$\triangle 4$	5-530006-5
		MATTE TIN	$\triangle 4$	5-530006-2
		$\triangle 2$	$\triangle 4$	530006-7
$\triangle 5$	OBSOLETE	$\triangle 3$	$\triangle 4$	530006-6
		TIN PLATE	$\triangle 4$	530006-5
		$\triangle 2$		530006-4
	OBSOLETE	$\triangle 3$		530006-3
		TIN PLATE		530006-2
		FINISH		PART NUMBER

THIS DRAWING IS A CONTROLLED DOCUMENT.		DWN M.BINNER 29MAR01	Tyco Electronics Corporation Harrisburg, Pa 17105-3608													
DIMENSIONS: INCHES		CHK M.MILLER 05APR01	NAME CONTACT, 22-18 AWG, DUO-TYNE FLAG WITH TAPERED BEAMS													
TOLERANCES UNLESS OTHERWISE SPECIFIED:		APVD M.MILLER 05APR01	PRODUCT SPEC	RESTRICTED TO												
<table border="0"> <tr><td>0 PLC</td><td>± -</td></tr> <tr><td>1 PLC</td><td>± -</td></tr> <tr><td>2 PLC</td><td>± -</td></tr> <tr><td>3 PLC</td><td>± .005</td></tr> <tr><td>4 PLC</td><td>± .0005</td></tr> <tr><td>ANGLES</td><td>± -</td></tr> </table>		0 PLC	± -	1 PLC	± -	2 PLC	± -	3 PLC	± .005	4 PLC	± .0005	ANGLES	± -	APPLICATION SPEC	SIZE A3	CAGE CODE 00779
0 PLC	± -															
1 PLC	± -															
2 PLC	± -															
3 PLC	± .005															
4 PLC	± .0005															
ANGLES	± -															
MATERIAL BERYLLIUM COPPER	FINISH SEE TABLE	WEIGHT -	DRAWING NO C-530006	SCALE 6:1												
CUSTOMER DRAWING			SHEET 1 OF 1	REV H1												

单击下面可查看定价，库存，交付和生命周期等信息

[>>TE Connectivity\(泰科\)](#)