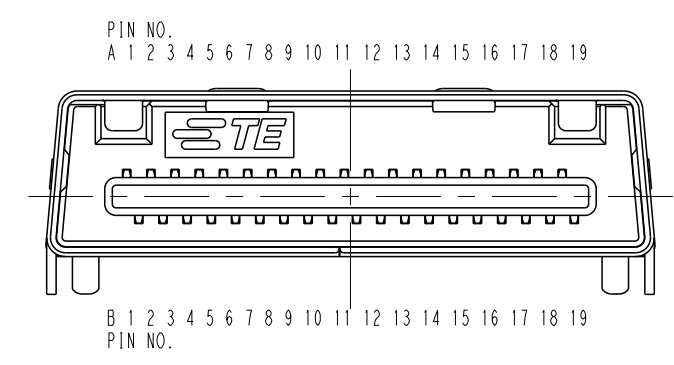
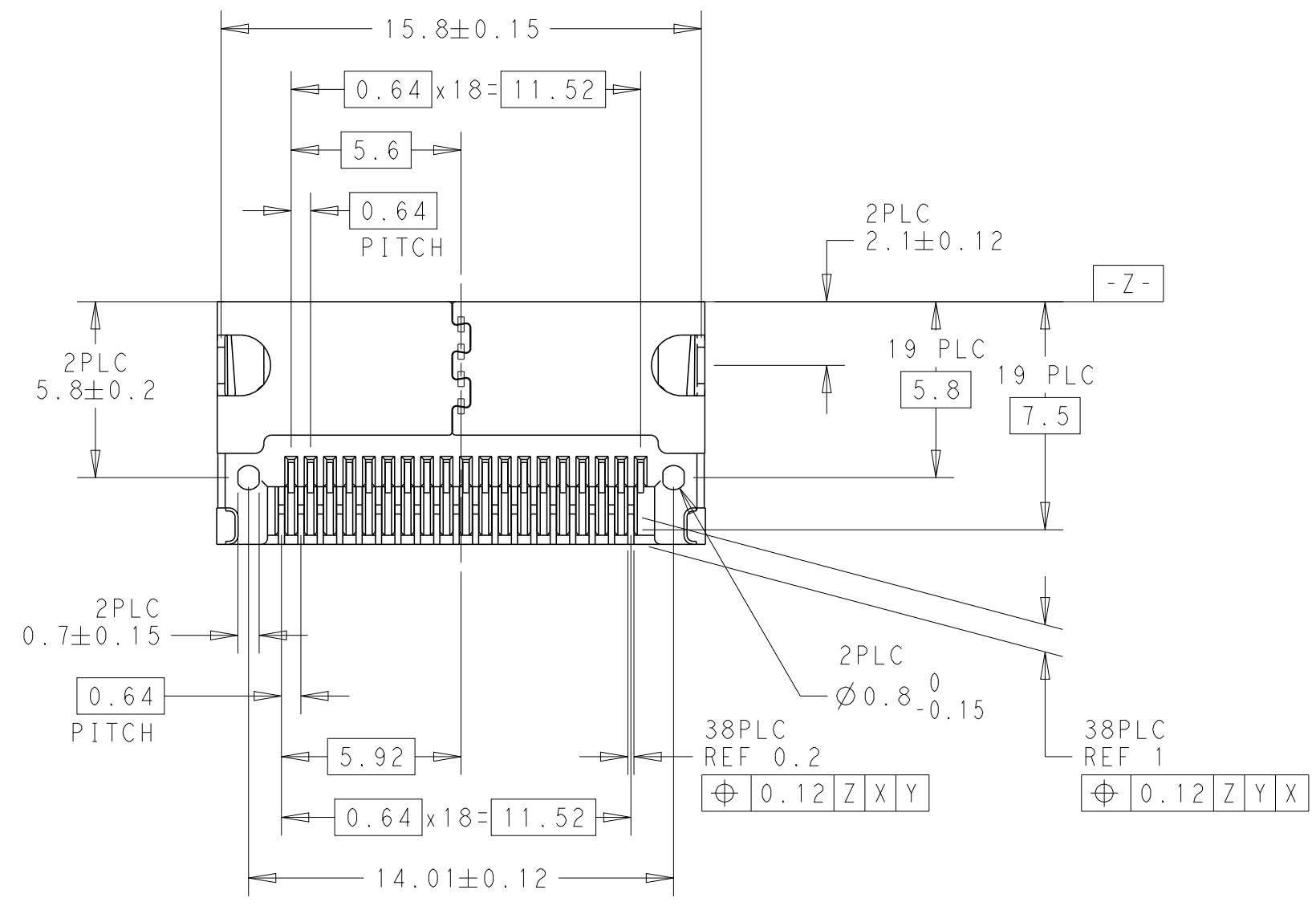
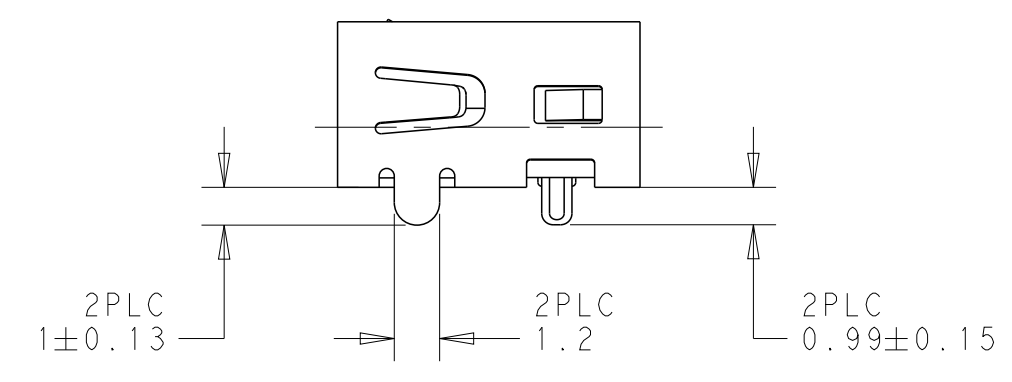
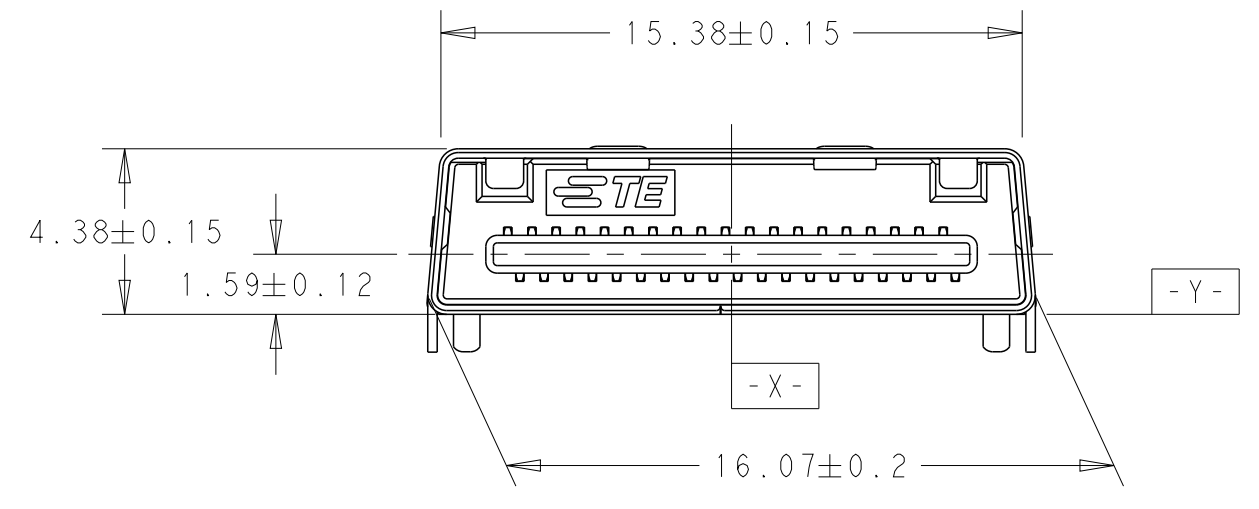
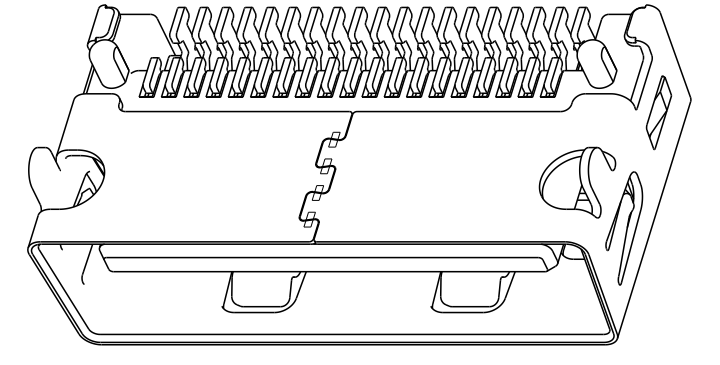
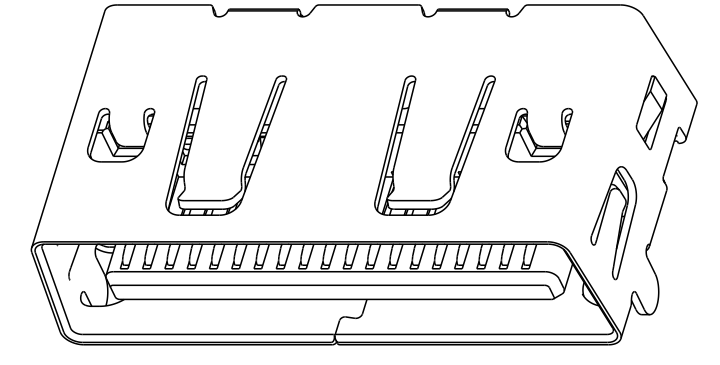
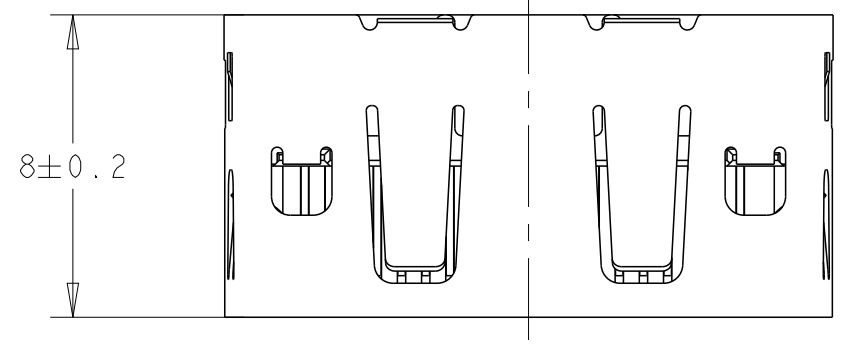


THIS DRAWING IS UNPUBLISHED. RELEASED FOR PUBLICATION 2014  
 © COPYRIGHT 2014 BY - ALL RIGHTS RESERVED.

REVISIONS					
P	LTR	DESCRIPTION	DATE	DWN	APVD
A		RELEASED	11MAR2015	Y. S	M. K
A1		REVISED	16MAR2015	Y. S	M. K
B		REVISED	28JAN2016	Y. S	M. K
B1		REVISED	19JUL2021	Y. S	M. K

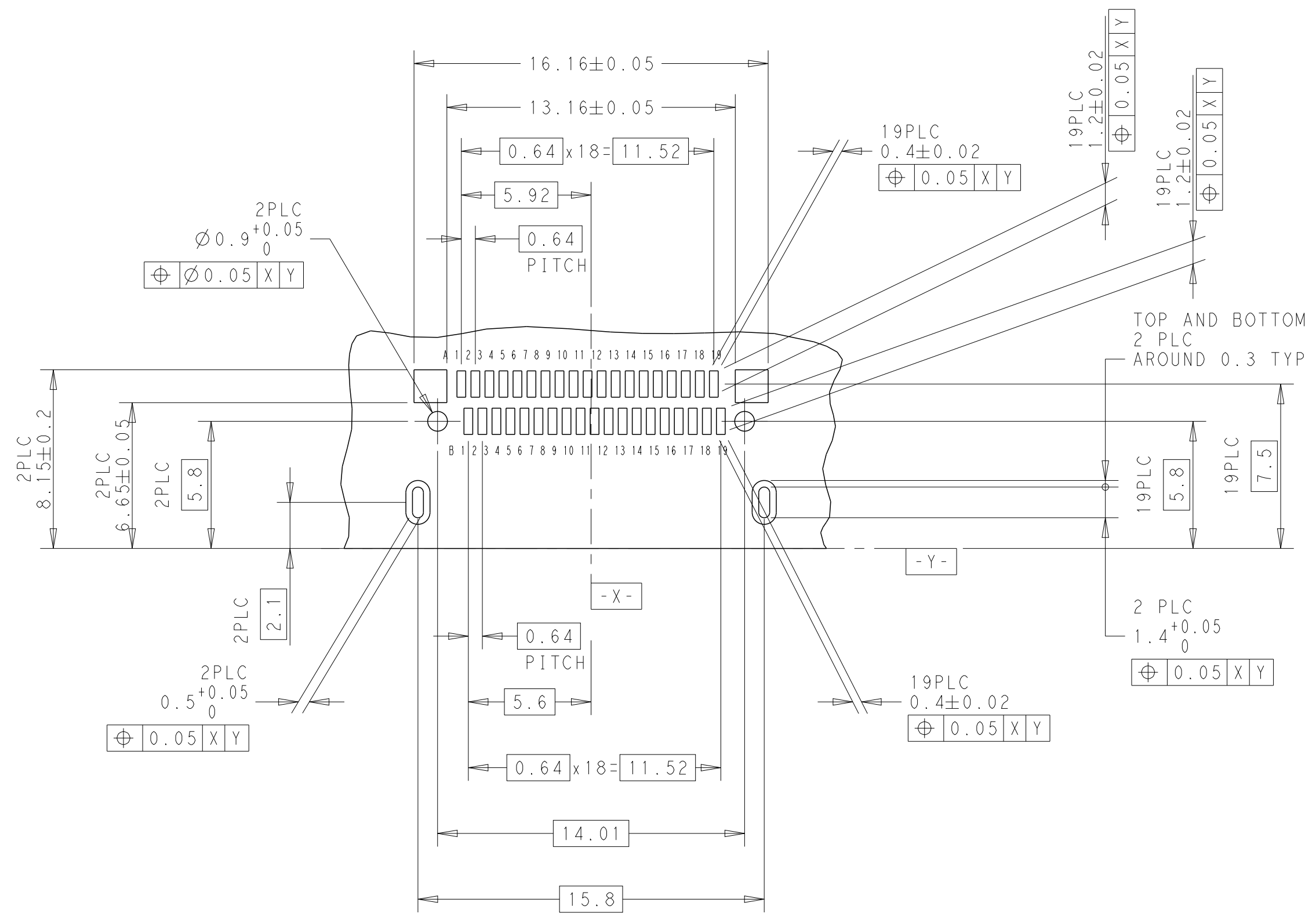
ROHS COMPLIANT



THIS DRAWING IS A CONTROLLED DOCUMENT.		DWN Y. SASAKI 09DEC2013	TE Connectivity	
DIMENSIONS: mm		CHK M. KIMURA 09DEC2013		
TOLERANCES UNLESS OTHERWISE SPECIFIED:		APVD M. KIMURA 09DEC2013	NAME RECEPTACLE CONNECTOR ASSEMBLY HASAKI 38P RECEPTACLE CONNECTOR KEEN EDGE CONNECTOR SERIES	
0-PLC ±0.15 1-PLC ±0.2 2-PLC ±0.01 3-PLC ±0.001 4-PLC ±0.0001 ANGLES ±0.5 FINISH -		PRODUCT SPEC 108-140067	SIZE A2	CAGE CODE -
MATERIAL SEE TABLE 1		APPLICATION SPEC -	DRAWING NO. G-2822022	RESTRICTED TO -
		WEIGHT 1.02g	SCALE 5:1	SHEET 1 OF 2
		CUSTOMER DRAWING	REV B1	

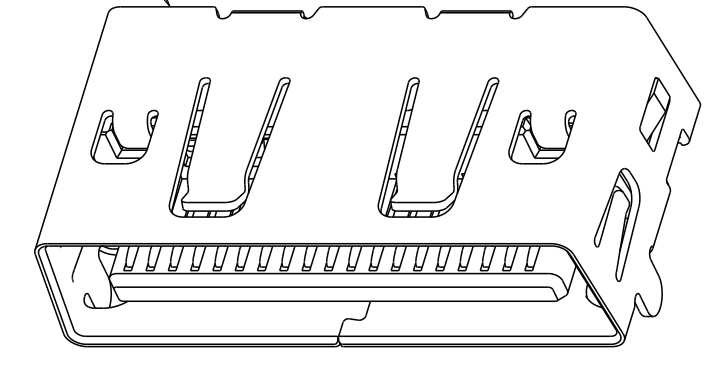
REVISIONS				
P	LTR	DESCRIPTION	DATE	APVD
-	-	SEE SHEET 1	-	-

RoHS COMPLIANT



RECEPTACLE PCB FOOTPRINT  
SCALE 5:1

- ①
- ②
- ③
- ④



- ① USED MATERIAL : SEE TABLE
2. REFLOW OR SPLDERING  
 REFLOW CONDITION : AIR REFLOW, TEST PCB BOARD THICKNESS : 1.8 mm MAX.  
 PEAK 250°C~255°C, 230°C MIN 30±10sec, 150°C~180°C 90±30sec.

QTY	DESCRIPTION	MATERIAL	ITEM NO.
1	RECEPTACLE OUTER SHELL KEEN EDGE CONNECTOR SERIES	PH BRONZE	4
19	RECEPTACLE LOWER CONTACT KEEN EDGE CONNECTOR SERIES	BERYLLIUM COPPER	3
19	RECEPTACLE UPPER CONTACT KEEN EDGE CONNECTOR SERIES	BERYLLIUM COPPER	2
1	RECEPTACLE HOUSING KEEN EDGE CONNECTOR SERIES	LCP BLACK	1
- 1	NAME	MATERIAL	ITEM NO.

THIS DRAWING IS A CONTROLLED DOCUMENT.		DWN Y. SASAKI 09DEC2013	TE Connectivity	
DIMENSIONS: mm		CHK M. KIMURA 09DEC2013		
TOLERANCES UNLESS OTHERWISE SPECIFIED:		APVD M. KIMURA 09DEC2013	NAME RECEPTACLE CONNECTOR ASSEMBLY HASAKI 38P RECEPTACLE CONNECTOR KEEN EDGE CONNECTOR SERIES	
0-PLC ±0.15 1-PLC ±0.1 2-PLC ±0.01 3-PLC ±0.001 4-PLC ±0.0001 ANGLES ±0.5 FINISH -		PRODUCT SPEC 108-140067	SIZE A2	CAGE CODE -
MATERIAL SEE TABLE ①		APPLICATION SPEC -	DRAWING NO C-2822022	RESTRICTED TO -
		WEIGHT 1.02g	SCALE 5:1	SHEET 2 OF 2
		CUSTOMER DRAWING	REV B1	

单击下面可查看定价，库存，交付和生命周期等信息

[>>TE Connectivity\(泰科\)](#)