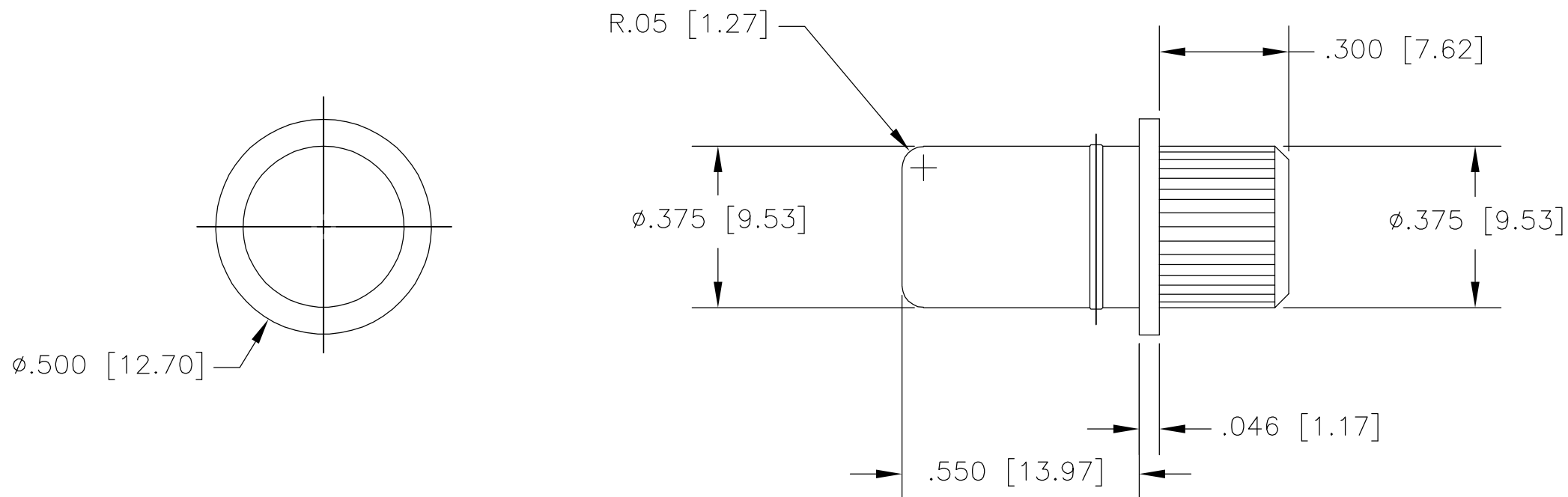


THIS DRAWING IS UNPUBLISHED. RELEASED FOR PUBLICATION
 © COPYRIGHT - BY TYCO ELECTRONICS CORPORATION. ALL RIGHTS RESERVED.

LOC	DIST	REVISIONS					
GP	00	P	LTR	DESCRIPTION	DATE	DWN	APVD
			A	RELEASED	04MAY06	RG	SF



1. PART NUMBER CHANGES AND/OR DESIGN CHANGES AFFECTING ITEM INTERCHANGEABILITY REQUIRE PRIOR ELCON APPROVAL AND AUTHORIZATION BY REVISION TO THIS DRAWING.

2. ITEMS PROVIDED TO THIS SPECIFICATION SHALL BE IDENTIFIED ON THE CONTAINER WITH THE FOLLOWING INFORMATION: PART NUMBER & DATE CODE OF MANUFACTURE.

3 MATERIAL - COPPER ALLOY

4 FINISH - PIN CONTACT: SILVER PLATE .0002 MIN THK. OVER NICKEL .00004 MIN THK.

AS SHOWN	1766879-1
DESCRIPTION	PART NUMBER

THIS DRAWING IS A CONTROLLED DOCUMENT.		DWN	R.GRZYBOWSKI	04MAY2006	Tyco Electronics Corporation Harrisburg, PA 17105-3608			
DIMENSIONS: INCHES		CHK	S.FLICKINGER	04MAY06				
		APVD		S.FLICKINGER	04MAY06	NAME		
TOLERANCES UNLESS OTHERWISE SPECIFIED: 0 PLC ± - 1 PLC ± - 2 PLC ± .02 [.5] 3 PLC ± .010 [.25] 4 PLC ± - ANGLES ± .5		PRODUCT SPEC		PIN CONTACT, SIZE NO.2, SWAGE MOUNT LOCKING STYLE PRESS FIT				
MATERIAL		APPLICATION SPEC		SIZE		CAGE CODE	DRAWING NO	RESTRICTED TO
3		FINISH		A3		00779	C-1766879	-
4		WEIGHT		CUSTOMER DRAWING		SCALE	3:1	SHEET 1 OF 1
						REV		A

ELCON CONTACTS

单击下面可查看定价，库存，交付和生命周期等信息

[>>TE Connectivity\(泰科\)](#)