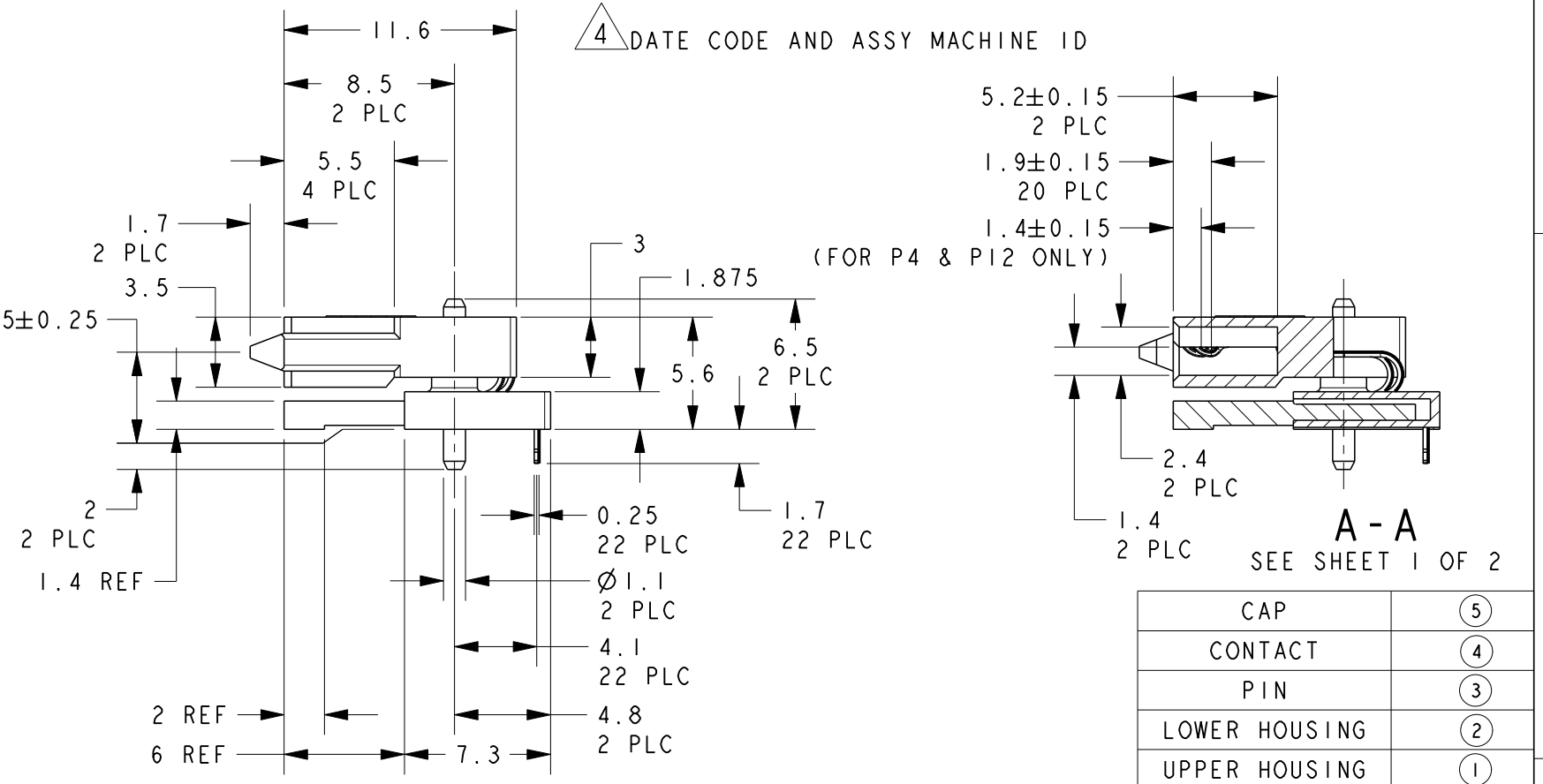
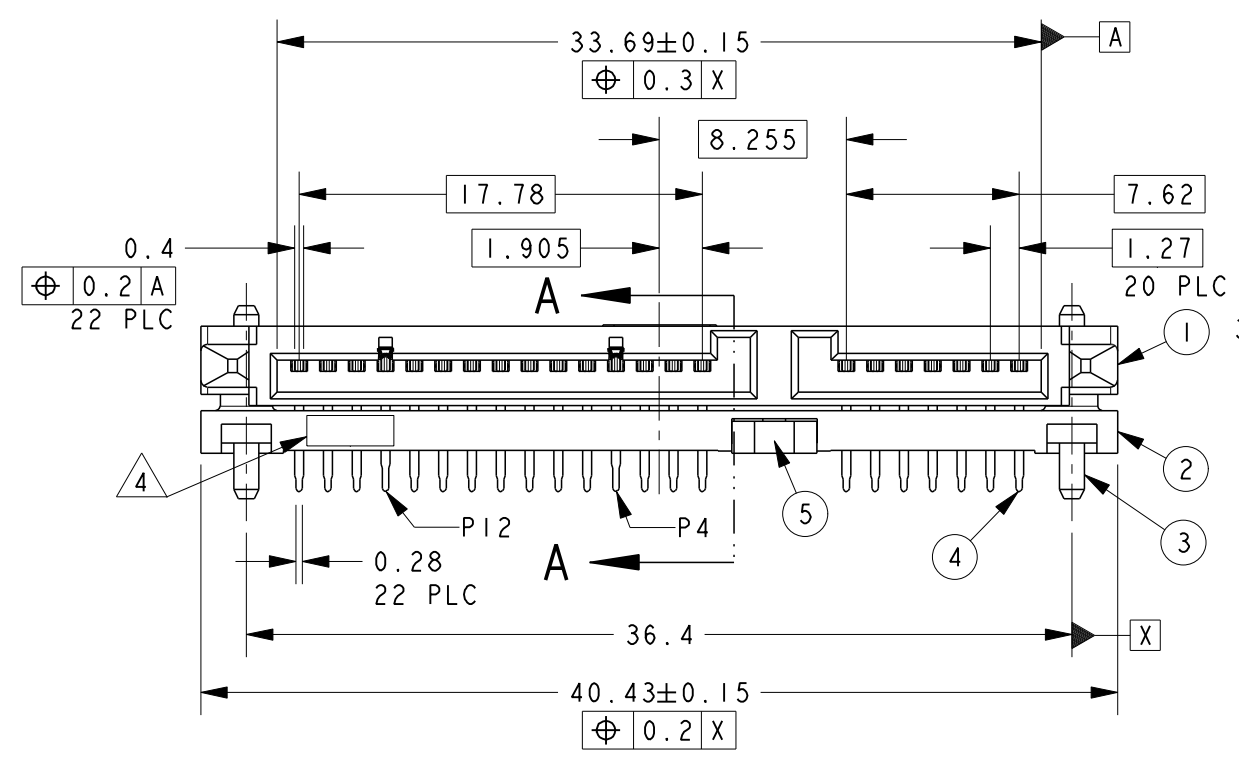
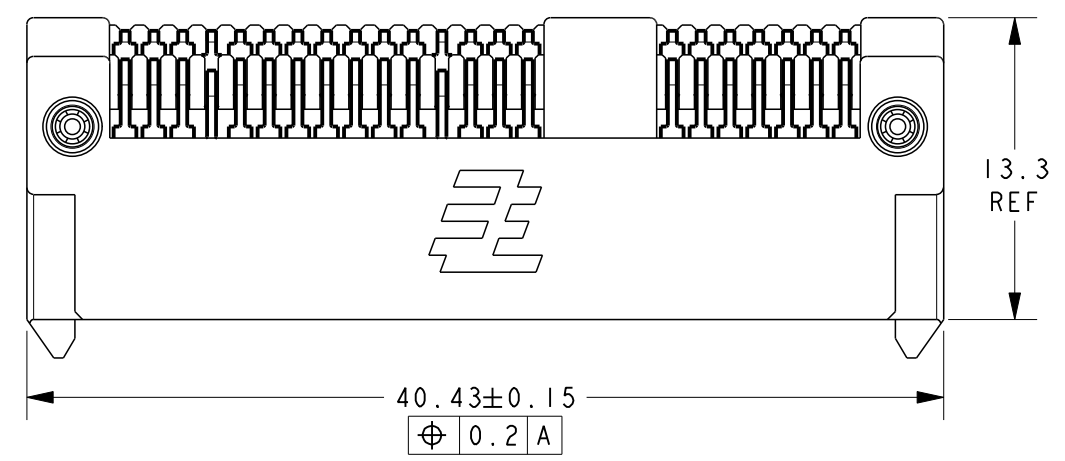


THIS DRAWING IS UNPUBLISHED. RELEASED FOR PUBLICATION .19 .
 © COPYRIGHT 19 BY AMP INCORPORATED. ALL RIGHTS RESERVED.

LOC	DIST	REVISIONS					
		P	LTR	DESCRIPTION	DATE	DWN	APVD
DY	-		A	NPR ECR-10-014193	06JUL2010	JC	LSF

NOTES:

- 1 MATERIAL:
 HOUSING: THERMOPLASTIC HIGH TEMP., UL94V-0, COLOR: BLACK
 CONTACT: PHOSPHOR BRONZE
 PIN: BRASS
 CAP: THERMOPLASTIC HIGH TEMP., UL94V-0, COLOR: BLACK
 EMBOSS TAPE: PS, COLOR: CLEAR
 COVER TAPE: PET
- 2 FINISH:
 CONTACT:
 CONTACT AREA: 0.2µm Au PL.
 1.27µm NICKEL UNDER PL. ALL OVER
 SOLDERING AREA: 2-5µm MATTE TIN PL.
 1.27µm NICKEL UNDER PL. ALL OVER
 PIN: 2-5µm MATTE TIN PL. ALL OVER
 1.27µm NICKEL UNDER PL. ALL OVER
- 3 PIN MUST BE SOLDERED WITH PCB
- 4 DATE CODE AND ASSY MACHINE ID



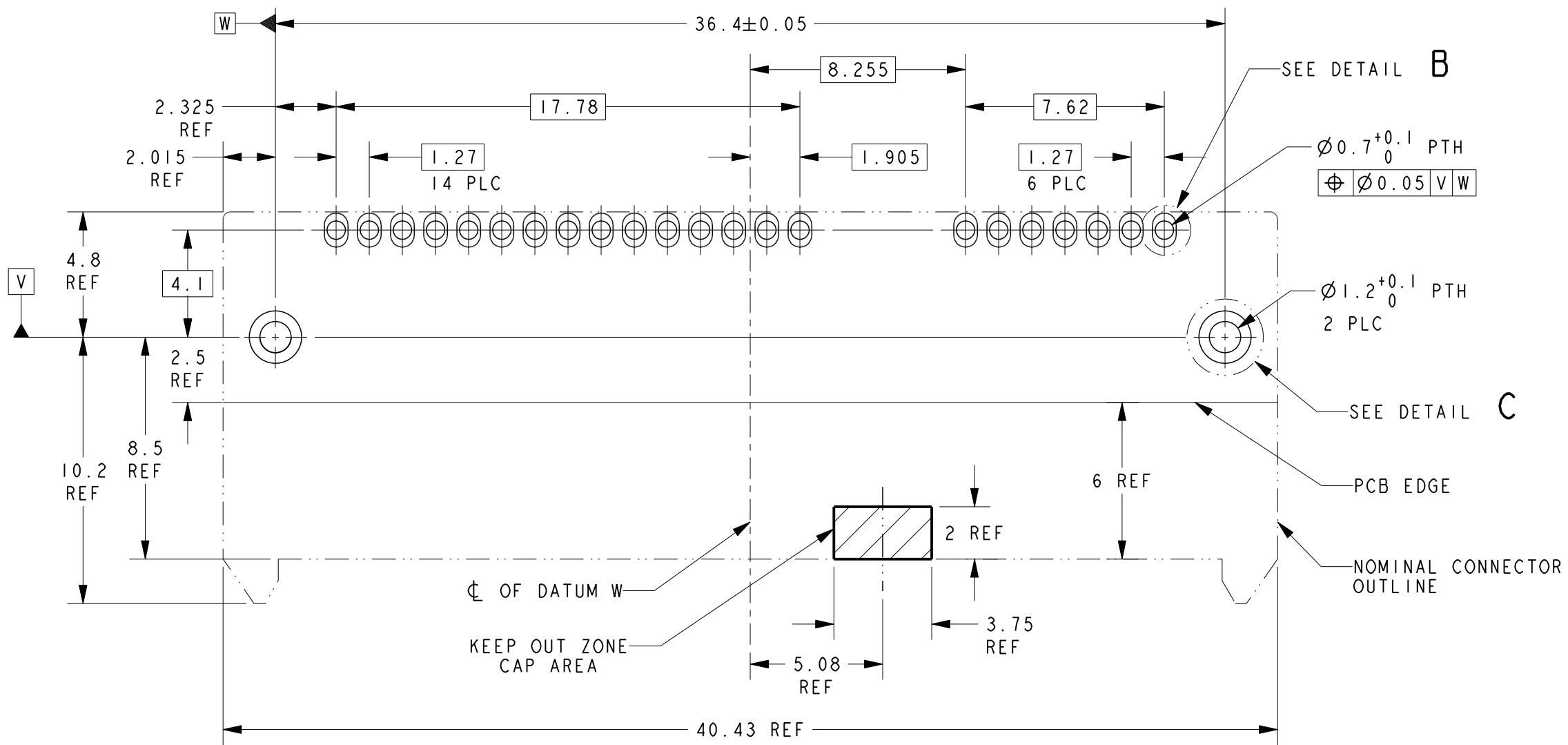
PART LIST	ITEM NO.
CAP	5
CONTACT	4
PIN	3
LOWER HOUSING	2
UPPER HOUSING	1

P/N: 1735849-1 AS SHOWN

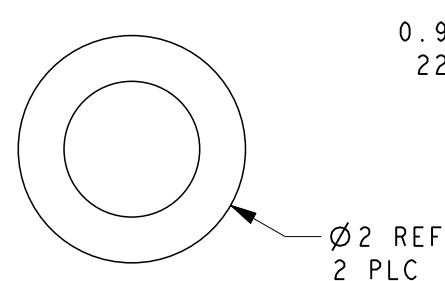
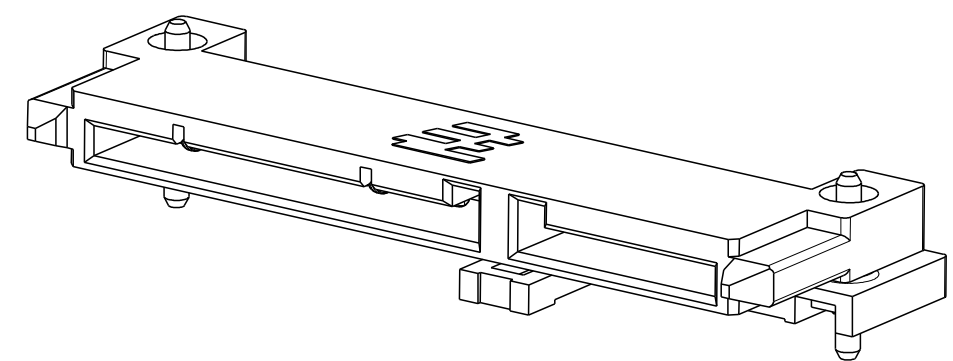
THIS DRAWING IS A CONTROLLED DOCUMENT FOR AMP INCORPORATED. IT IS SUBJECT TO CHANGE AND THE CONTROLLING ENGINEERING ORGANIZATION SHOULD BE CONTACTED FOR THE LATEST REVISION.		DWN JASON CHOW 09APR10	Tyco Electronics Corporation Singapore	
DIMENSIONS: mm		CHK AP TAY 09APR10	NAME REC ASSY A-FREE SATA H3.85	
TOLERANCES UNLESS OTHERWISE SPECIFIED: 0 PLC ±0.2 1 PLC ±0.2 2 PLC ±0.2 3 PLC ±0.2 4 PLC ±0.2 ANGLES ±3°		APVD SE LEONG 09APR10		
MATERIAL		PRODUCT SPEC 108-78274	SIZE A3	CAGE CODE 00779
FINISH		APPLICATION SPEC -	DRAWING NO 1735849	
1		WEIGHT x.XXg	SCALE 3:1	
2		CUSTOMER DRAWING		SHEET 1 OF 3 REV A

THIS DRAWING IS UNPUBLISHED. RELEASED FOR PUBLICATION .19 .
 © COPYRIGHT 19 BY AMP INCORPORATED. ALL RIGHTS RESERVED.

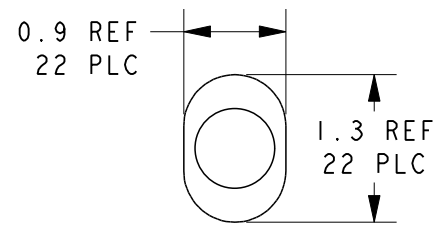
LOC	DIST	REVISIONS			
P	LTR	DESCRIPTION	DATE	DWN	APVD
DY	-	SEE SHEET 1			



REFERENCE PCB LAYOUT
 REFERENCE PCB THICKNESS t=1.2
 SCALE 5:1



DETAIL C
 SCALE 15:1
 SEE SHEET 2 OF 2

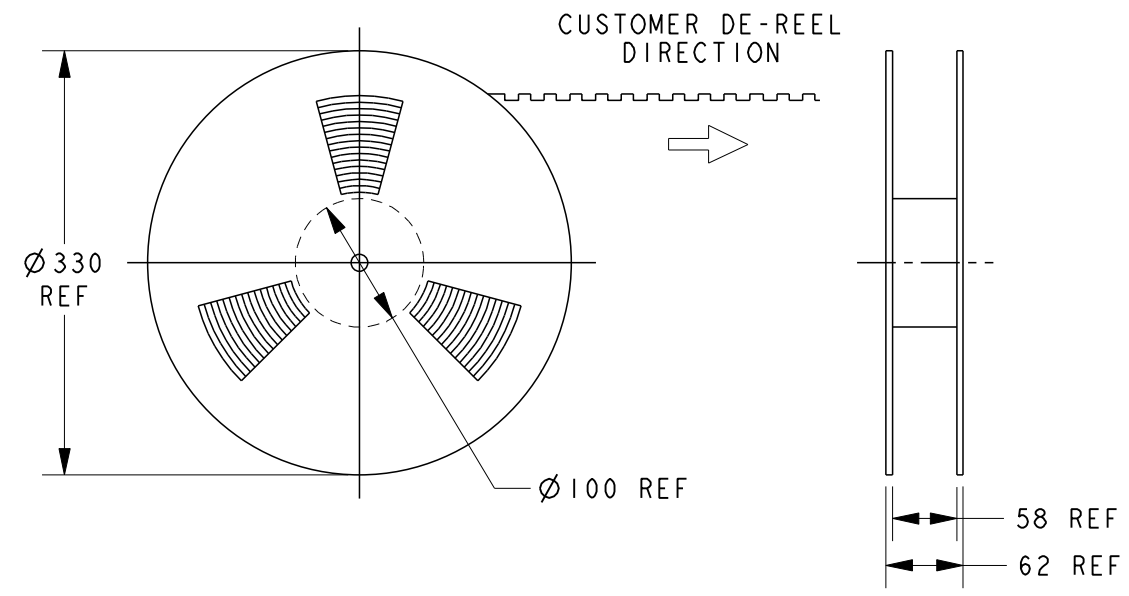
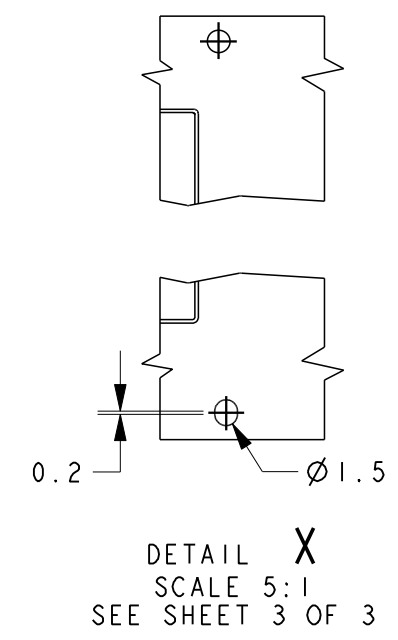
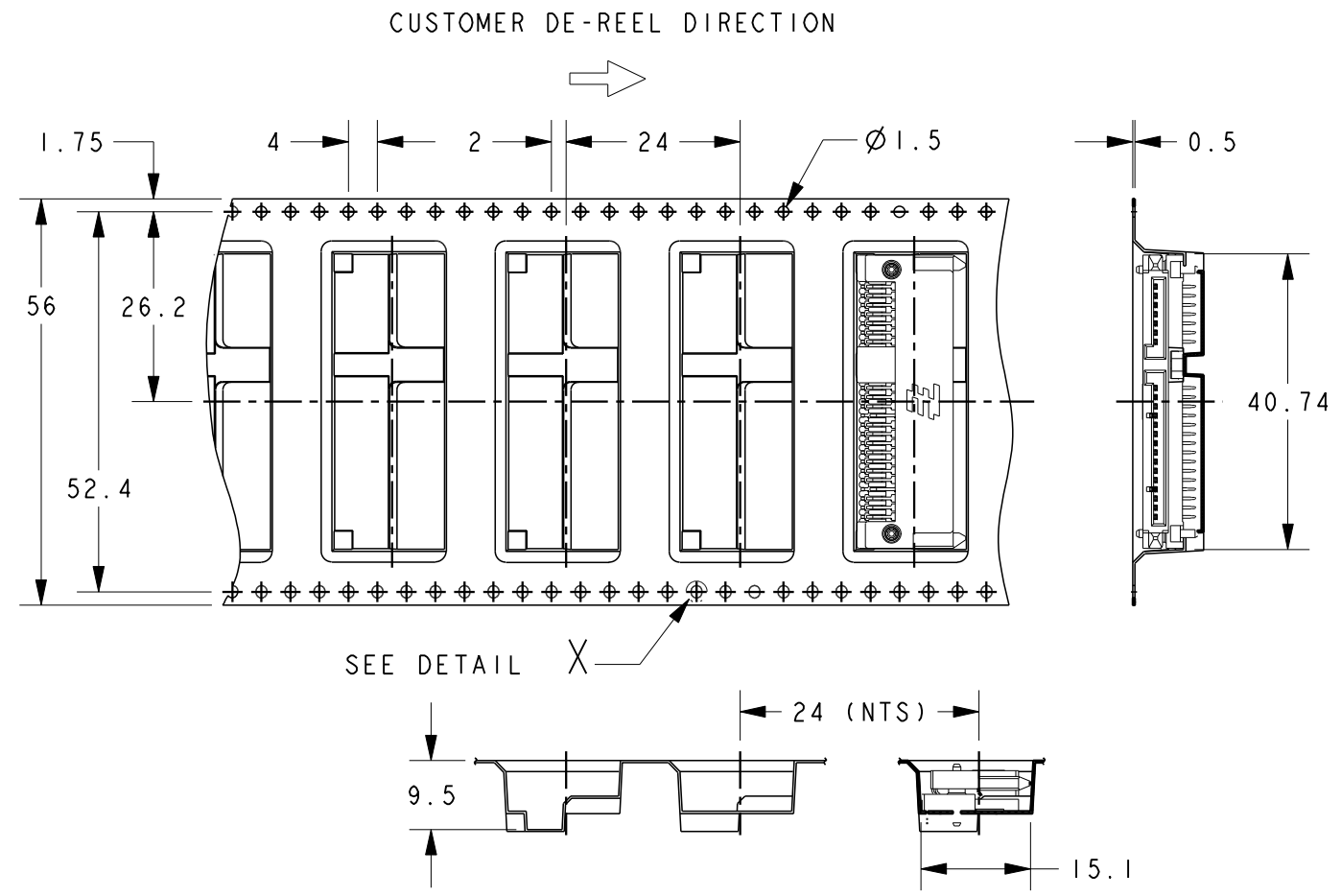


DETAIL B
 SCALE 15:1
 SEE SHEET 2 OF 2

THIS DRAWING IS A CONTROLLED DOCUMENT FOR AMP INCORPORATED. IT IS SUBJECT TO CHANGE AND THE CONTROLLING ENGINEERING ORGANIZATION SHOULD BE CONTACTED FOR THE LATEST REVISION.		DWN	Tyco Electronics Corporation Singapore		
DIMENSIONS: mm		CHK	NAME REC ASSY A-FREE SATA H3.85		
TOLERANCES UNLESS OTHERWISE SPECIFIED: 0 PLC ±0.2 1 PLC ±0.2 2 PLC ±0.2 3 PLC ±0.2 4 PLC ±0.2 ANGLES ±3°		APVD	PRODUCT SPEC 108-78274		
MATERIAL		FINISH	APPLICATION SPEC	SIZE A3	CAGE CODE 00779
			WEIGHT x.XXg	DRAWING NO C-1735849	
CUSTOMER DRAWING			SCALE 3:1	SHEET 2 OF 3	REV A

THIS DRAWING IS UNPUBLISHED. RELEASED FOR PUBLICATION .19 .
 © COPYRIGHT 19 BY AMP INCORPORATED. ALL RIGHTS RESERVED.

LOC	DIST	REVISIONS			
P	LTR	DESCRIPTION	DATE	DWN	APVD
DY	-	SEE SHEET 1			



PEELING RESISTANCE: 0.2N~0.7N (20gf ~70gf)
 PEELING ANGLE: 165°~180°
 PEELING SPEED: 300mm/min
 QUANTITY PER REEL: 200 PIECES

THIS DRAWING IS A CONTROLLED DOCUMENT FOR AMP INCORPORATED. IT IS SUBJECT TO CHANGE AND THE CONTROLLING ENGINEERING ORGANIZATION SHOULD BE CONTACTED FOR THE LATEST REVISION.		DWN	Tyco Electronics Corporation Singapore		
DIMENSIONS: mm		CHK	NAME REC ASSY A-FREE SATA H3.85		
TOLERANCES UNLESS OTHERWISE SPECIFIED: 0 PLC ± 0.2 1 PLC ± 0.2 2 PLC ± 0.2 3 PLC ± 0.2 4 PLC ± 0.2 ANGLES $\pm 3^\circ$		APVD	SIZE	CAGE CODE	DRAWING NO
MATERIAL		PRODUCT SPEC	A3	00779	C-1735849
FINISH		APPLICATION SPEC	WEIGHT		
1		WEIGHT	CUSTOMER DRAWING		
		SCALE	SHEET	OF	REV
		3:1	3	3	A

单击下面可查看定价，库存，交付和生命周期等信息

[>>TE Connectivity\(泰科\)](#)