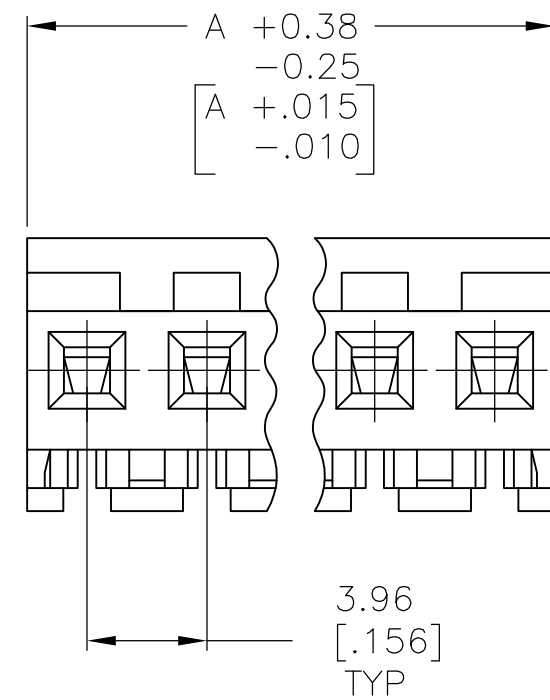
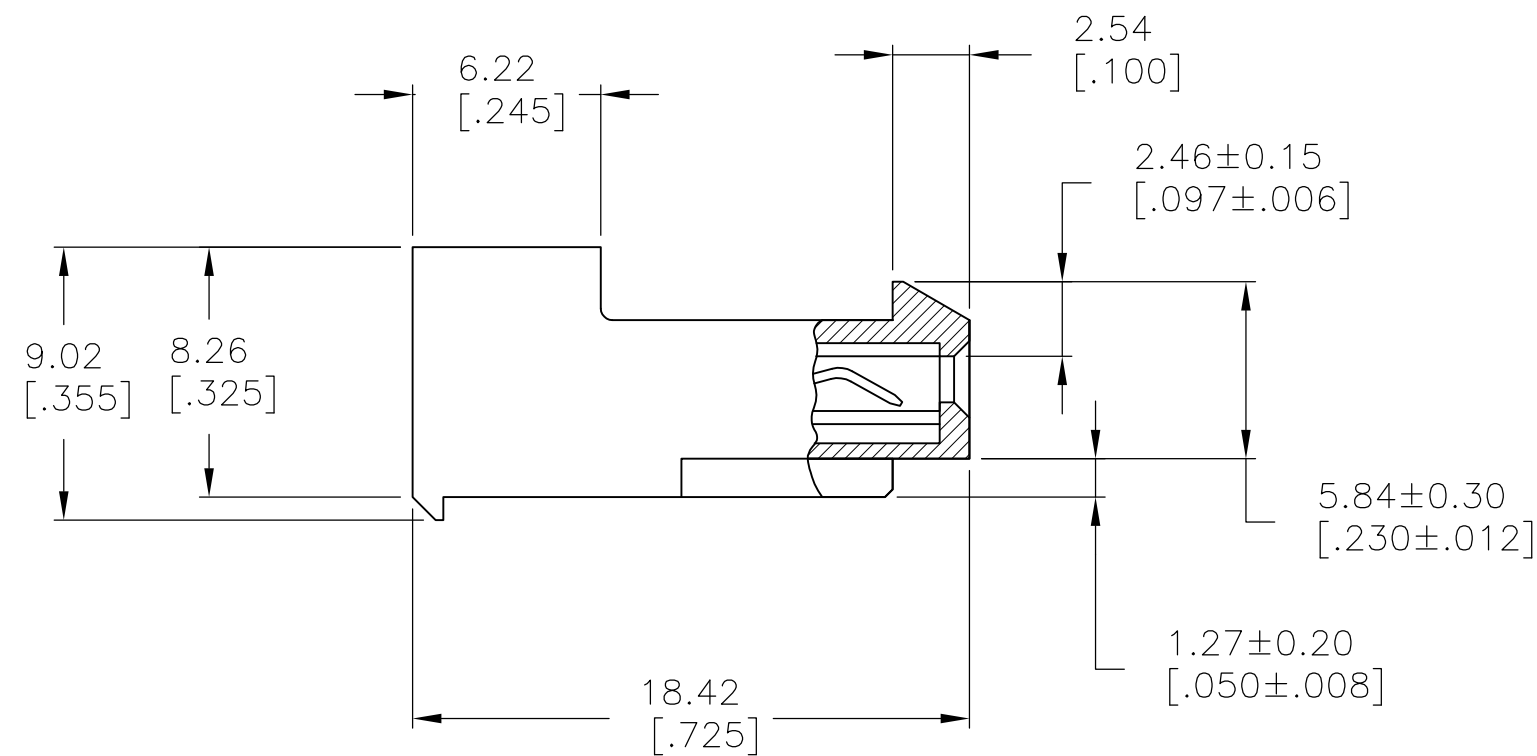
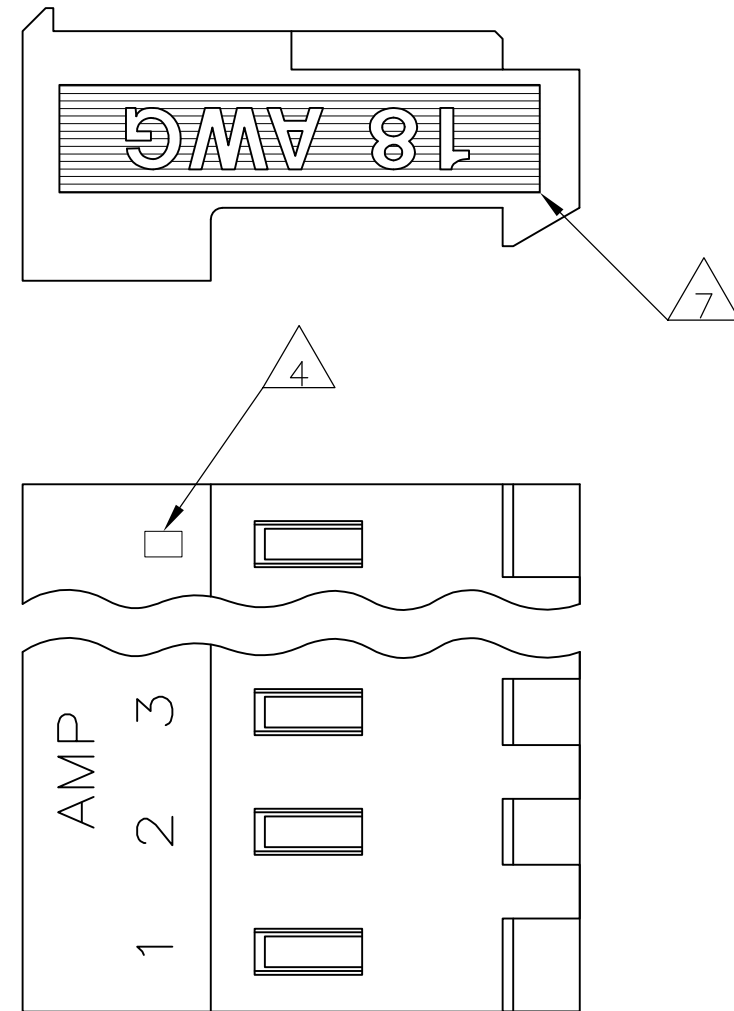


THIS DRAWING IS UNPUBLISHED. RELEASED FOR PUBLICATION
 © COPYRIGHT - TE Connectivity Ltd. ALL RIGHTS RESERVED.

REVISIONS					
P	LTR	DESCRIPTION	DATE	DWN	APVD
D2		REVISED PER ECR-17-018335	22JAN2018	BDA	SG

- 1 MATERIAL: CONNECTOR - NYLON UL94V-0 (BLACK).
 CONTACTS - 0.30[.012] THICK COPPER ALLOY
 (BRIGHT-TIN LEAD 0.00203
 [.000080] MIN THK FOR CONTACTS
 644860-2 THRU 1-644860-2, MATTE
 WHISKER MITIGATED TIN 0.00203 (.000080)
 MIN THICKNESS FOR 3-644860-2 THRU
 4-644860-2)
- 2. CONTACTS ACCEPT 18 AWG WIRE WITH 2.41[.095] MAX
 INSULATION DIAMETER.
- 3. CONTACTS MUST ACCEPT 1.14±0.03[.045]
 POST AND REMAIN LOCKED IN POSITION.
- 4 IDENTIFICATION NUMBER FOR LAST CIRCUIT MAY
 NOT APPEAR ON ALL ASSEMBLIES.
- 5. DIMENSIONS IN BRACKETS ARE IN INCHES.
- 6. HOUSING FEATURES ARE: CLOSED END WITH
 LOCKING RAMP.
- 7 WIRE GAUGE IDENTIFICATION.
- 8 OBSOLETE PARTS: OBSOLETE CIS STREAMLINING PER
 D.RENAUD/D.SINISI
- 9 OBSOLETE PARTS



	47.55 [1.872]	12	4-644860-2
	43.59 [1.716]	11	4-644860-1
	39.62 [1.560]	10	4-644860-0
	35.66 [1.404]	9	3-644860-9
	31.70 [1.248]	8	3-644860-8
	27.74 [1.092]	7	3-644860-7
	23.77 [.936]	6	3-644860-6
	19.81 [.780]	5	3-644860-5
	15.85 [.624]	4	3-644860-4
	11.89 [.468]	3	3-644860-3
	7.92 [.312]	2	3-644860-2
8	47.55 [1.872]	12	1-644860-2
8	43.59 [1.716]	11	1-644860-1
8	39.62 [1.560]	10	1-644860-0
9	35.66 [1.404]	9	644860-9
9	31.70 [1.248]	8	644860-8
9	27.74 [1.092]	7	644860-7
9	23.77 [.936]	6	644860-6
9	19.81 [.780]	5	644860-5
9	15.85 [.624]	4	644860-4
9	11.89 [.468]	3	644860-3
9	7.92 [.312]	2	644860-2
	DIM A	NO OF CIRCUITS	PART NO

THIS DRAWING IS A CONTROLLED DOCUMENT.		DWN B. LEWIS 22FEB95	TE Connectivity Ltd.	
DIMENSIONS: mm [INCHES]		CHK R. SWING 22FEB95	MTA-156 CONNECTOR ASSEMBLY, 18 AWG, UL94V-0, SPECIAL	
TOLERANCES UNLESS OTHERWISE SPECIFIED:		APVD D. CLARK 22FEB95	RESTRICTED TO	
0 PLC ± -		PRODUCT SPEC	SIZE	CAGE CODE
1 PLC ± -		108-1051	A2	00779
2 PLC ± -		APPLICATION SPEC	DRAWING NO	644860
3 PLC ± -		114-1020	SCALE	4:1
4 PLC ± -		WEIGHT	SHEET	1 OF 1
ANGLES ± -		CUSTOMER DRAWING	REV	D2
FINISH		SCALE 4:1 SHEET 1 OF 1 REV D2		

单击下面可查看定价，库存，交付和生命周期等信息

[>>TE Connectivity\(泰科\)](#)