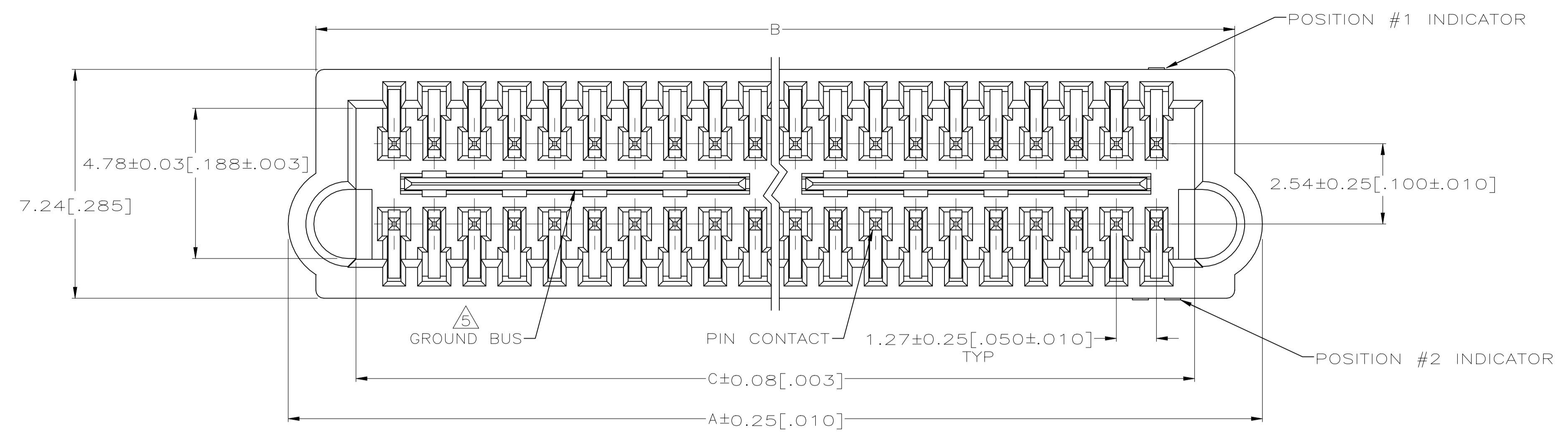
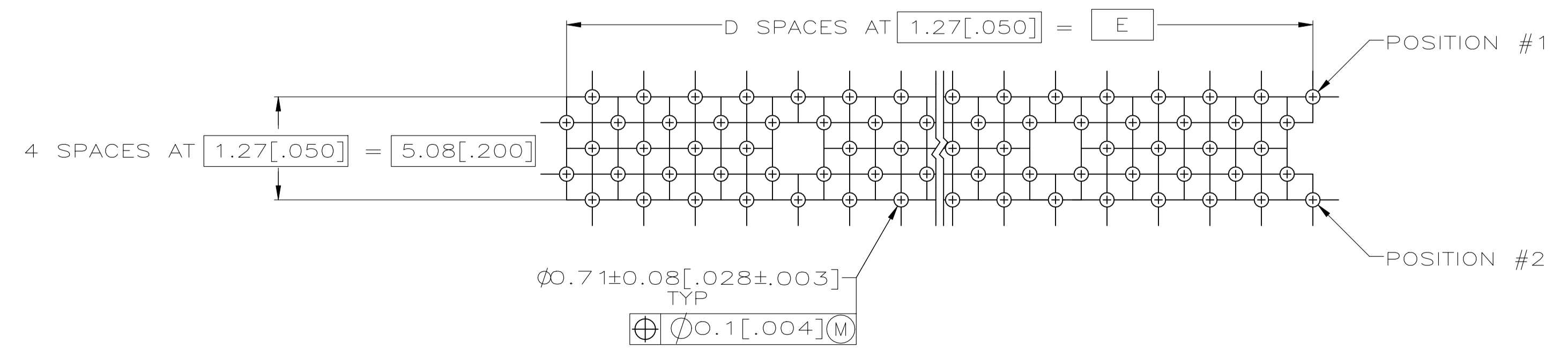
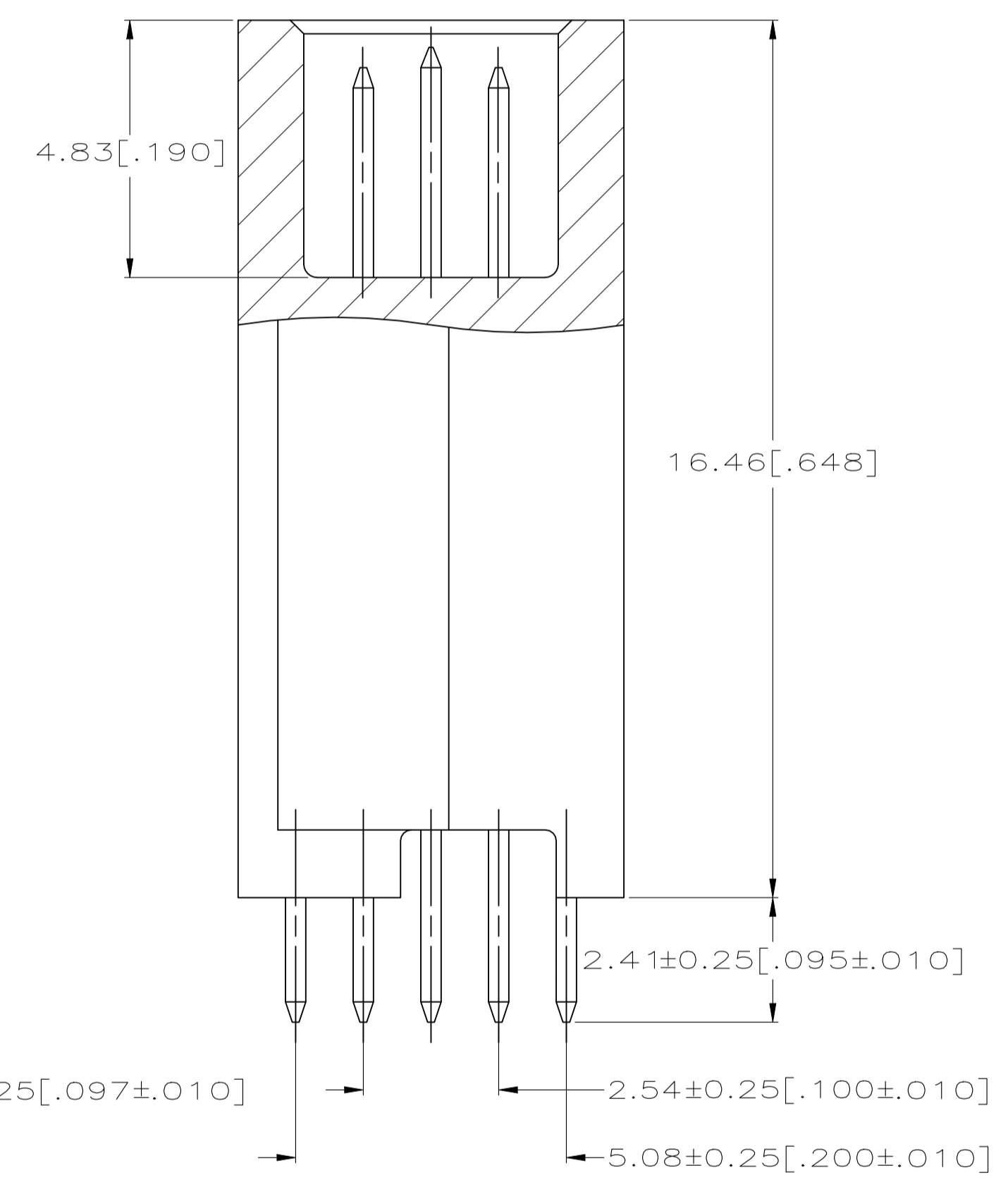
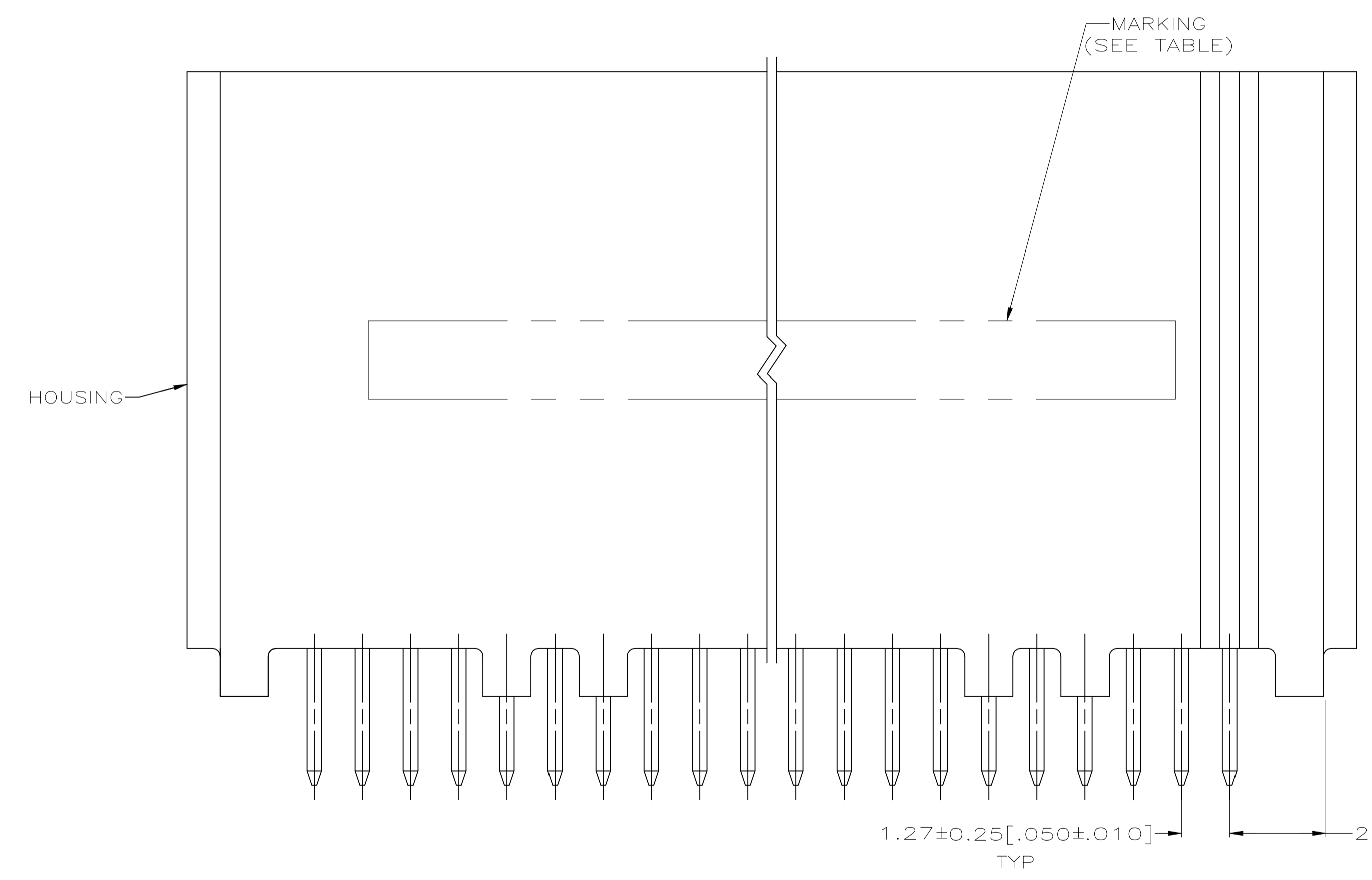


REVISIONS				
P	LTR	DESCRIPTION	DATE	APPROV
S		REVISED PER ECO-20-011414	04JAN2021	AP SY



- ① HOUSING: HIGH TEMPERATURE THERMOPLASTIC, COLOR: NATURAL OR LIGHT NATURAL.
PIN CONTACTS: PHOSPHOR BRONZE.
GROUND BUSSES: PHOSPHOR BRONZE.
- ② CONTACTS & GROUND BUSES: 0.00076(.000030) MIN. GOLD PER ASTM B 488 ON CONTACT AREA, 0.00254-0.00762(.000100-.000300) MATTE TIN PER ASTM B 545 ON SOLDER TAIL, ALL OVER 0.00127-0.00254(.000050-.000100) MATTE NICKEL PER SAE AMS-QQ-N-290 ON ENTIRE CONTACT.
- ③ AMP AND DATE CODE MARKED IN AREA INDICATED, ON SAME SIDE AS POSITION NUMBER 2 INDICATOR.
- ④ AMP, DATE CODE AND PART NUMBER MARKED IN AREA INDICATED, ON SAME SIDE AS POSITION NUMBER 2 INDICATOR.
- ⑤ ONE GROUND BUS WITH 4 TAILS PER EACH 20 PIN CONTACTS.



OBSOLETE	③	125.73	[4.950]	99	128.22	[5.048]	130.81	[5.150]	132.44	[5.214]	200	5149009-9
OBSOLETE	③	113.03	[4.450]	89	115.52	[4.548]	118.11	[4.650]	119.74	[4.714]	180	5149009-8
OBSOLETE	③	100.33	[3.950]	79	102.82	[4.048]	105.41	[4.150]	107.04	[4.214]	160	5149009-7
OBSOLETE	③	87.63	[3.450]	69	90.12	[3.548]	92.71	[3.650]	94.34	[3.714]	140	5149009-6
OBSOLETE	③	74.93	[2.950]	59	77.42	[3.048]	80.01	[3.150]	81.64	[3.214]	120	5149009-5
OBSOLETE	④	62.23	[2.450]	49	64.72	[2.548]	67.31	[2.650]	68.94	[2.714]	100	5149009-4
OBSOLETE	③	49.53	[1.950]	39	52.02	[2.048]	54.61	[2.150]	56.24	[2.214]	80	5149009-3
OBSOLETE	③	36.83	[1.450]	29	39.32	[1.548]	41.91	[1.650]	43.54	[1.714]	60	5149009-2
OBSOLETE	③	24.13	[.950]	19	26.62	[1.048]	29.21	[1.150]	30.84	[1.214]	40	5149009-1
MARKING		E		D	C		B		A		NO OF POS	PART NUMBER

THIS DRAWING IS A CONTROLLED DOCUMENT.

DIMENSIONS: mm [INCHES]	TOLERANCES UNLESS OTHERWISE SPECIFIED:	DIN L VARELA 01-19-05	APPROV D DIXON 01-19-05	NAME
0. PLC ± -	1. PLC ± -	2. PLC ± -	3. PLC ± 0.13 [.005]	4. PLC ± -
ANGLES ± -				
MATERIAL	FINISH	SIZE	CAGE CODE	DRAWING NO
①	②	A1	00779	5149009
CUSTOMER DRAWING		SCALE	SHEET	REV
		10:1	1 of 1	S

STE TE Connectivity

PLUG ASSEMBLY, 18.75[.738] STACK, 2.41[.095] TAIL, BOARD TO BOARD, MICROSTRIP

单击下面可查看定价，库存，交付和生命周期等信息

[>>TE Connectivity\(泰科\)](#)