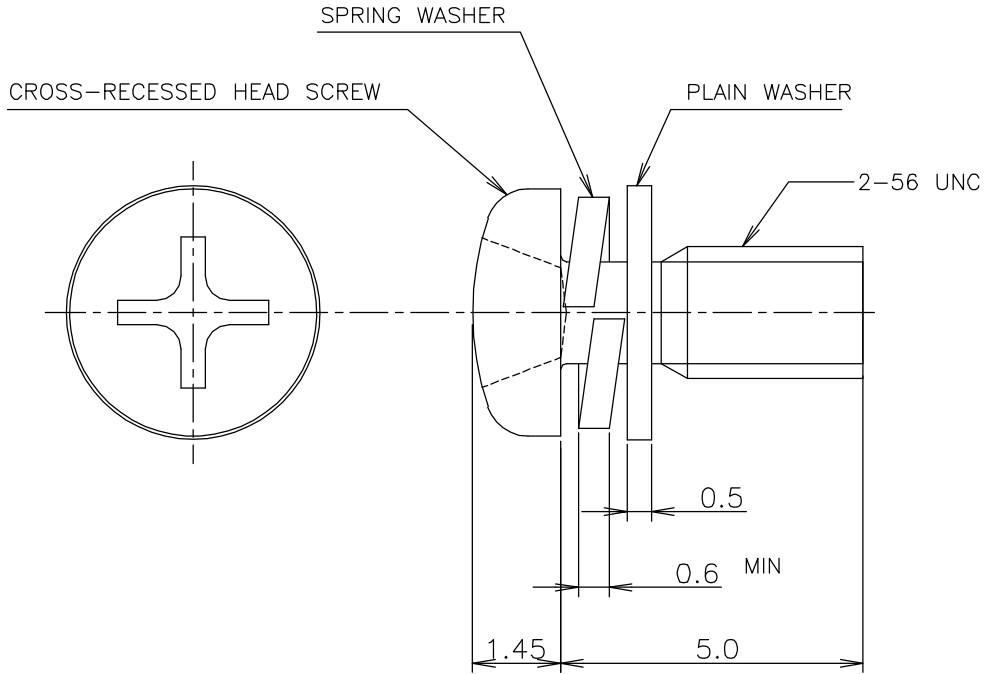


LOC J	DIST -	REVISIONS					
		P	LTR	DESCRIPTION	DATE	DWN	APVD
		B		REVISED ECR-06-014898	20JUN06	L.Z	S.Y

-1; AS SHOWN



- 1 ALL DIMENSIONS ARE REF.
- 2 MATERIAL .
CROSS-RECESSED HEAD SCREW; STEEL.
SPRING WASHER; STEEL.
PLAIN WASHER; STEEL.
- 3 THIS P/N CONTAINS 2 EACH OF CROSS-RECESSED HEAD SCREW WITH
SPRING WASHER AND PLAIN WASHER.
- 4 FINISH: JIS H8617 CuNi CLASS 2.

RELEASED FOR PUBLICATION JUL , 1994.

ALL RIGHTS RESERVED.

COPYRIGHT 1994 BY TYCO ELECTRONICS CORPORATION.

THIS DRAWING IS UNPUBLISHED.

DIMENSIONS: mm	DWN LEO ZHOU 5APR05	MATERIAL	FINISH	
	CHK T.KAWAMAE 5APR05	Tyco Electronics AMP K.K. Kawasaki, Japan		
TOLERANCES UNLESS OTHERWISE SPECIFIED:	APVD I.ENOMOTO 5APR05	NAME	2-56UNC SCREW KIT .050AMPLIMITE	
	PRODUCT SPEC	SIZE	CAGE CODE	DRAWING NO
0 PLC ±	APPLICATION SPEC	A4	00779	C-5179632
1 PLC ±	WEIGHT	RESTRICTED TO		
2 PLC ±	CUSTOMER DRAWING	SCALE	SHEET	OF
3 PLC ±		NTS	1	1
4 PLC ±				REV B
ANGLES ±				

单击下面可查看定价，库存，交付和生命周期等信息

[>>TE Connectivity\(泰科\)](#)