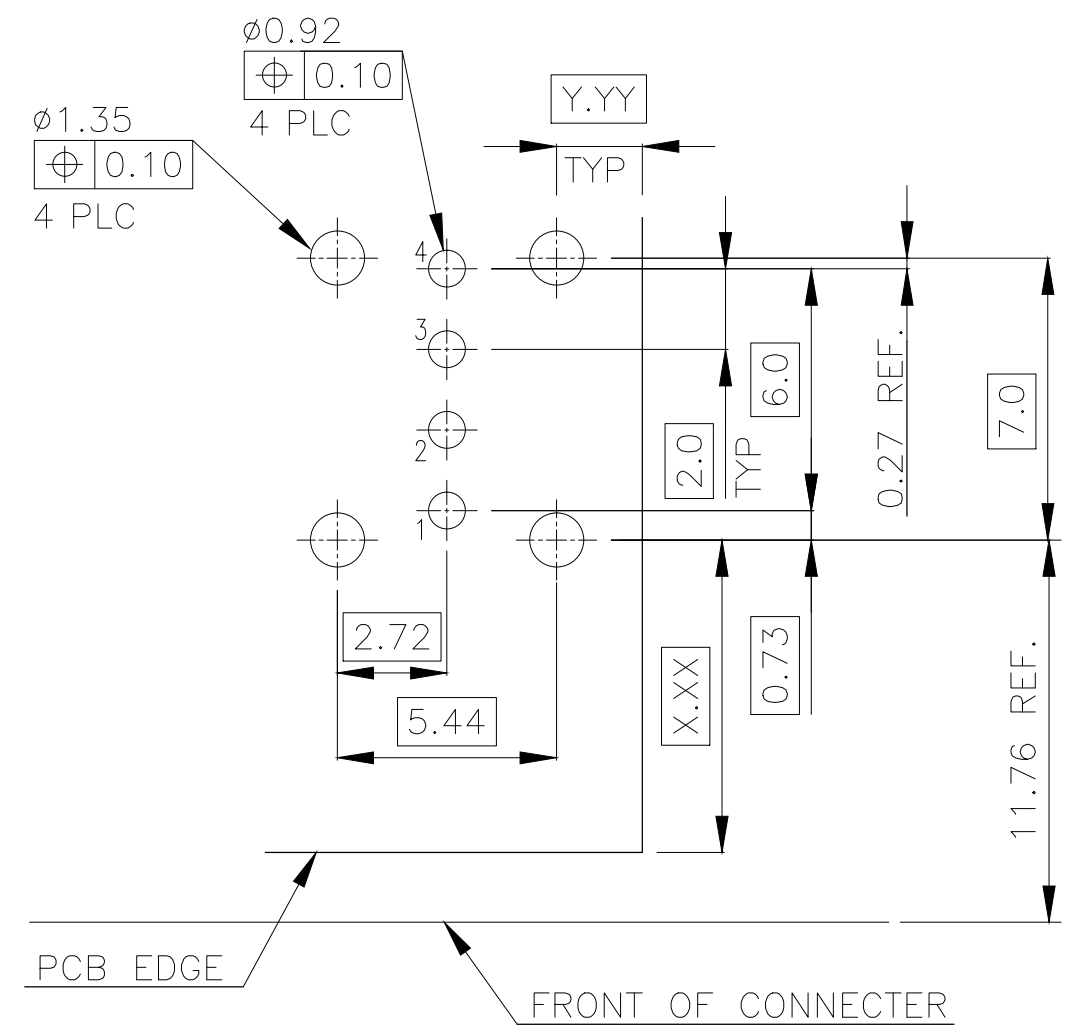
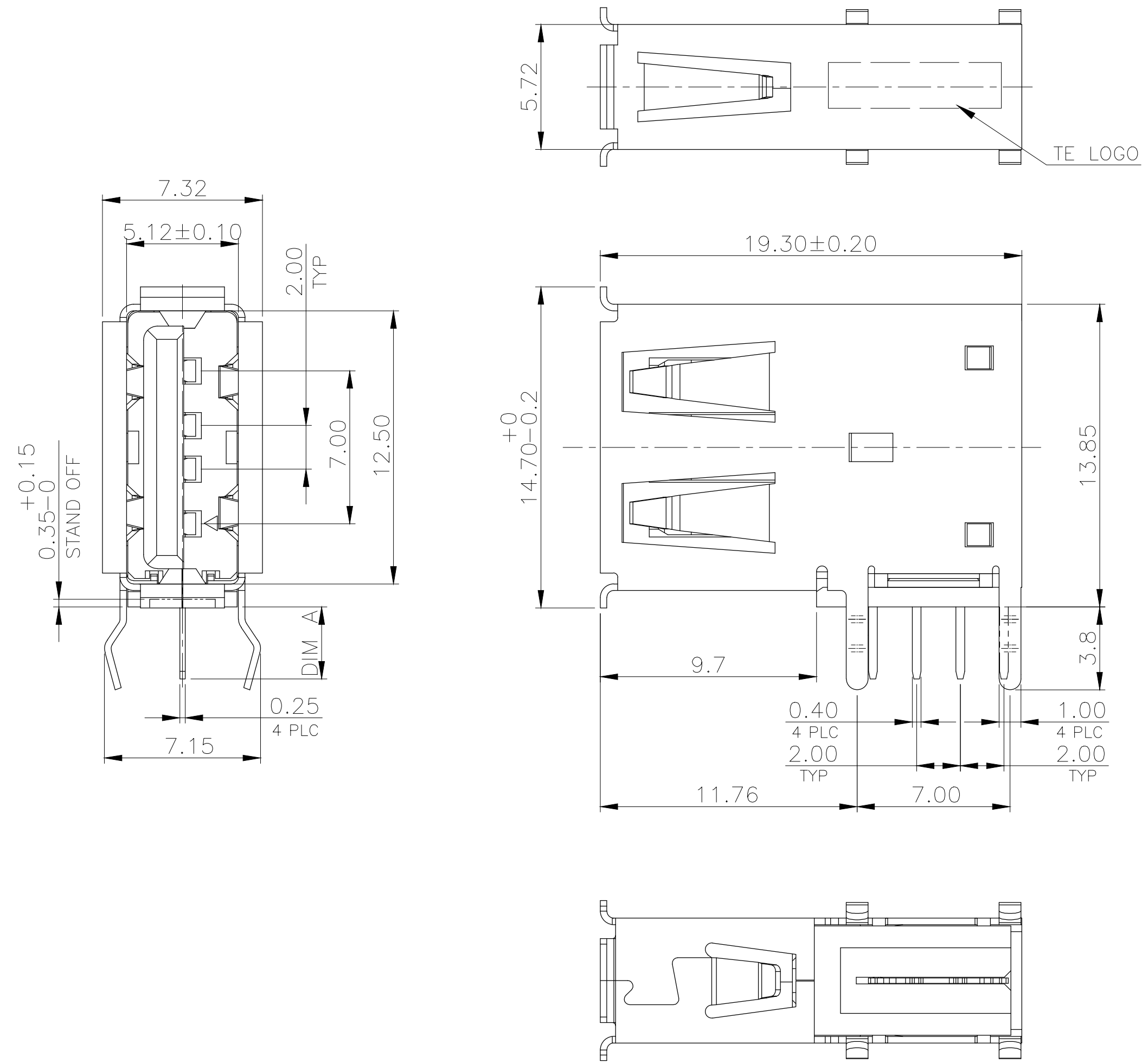


THIS DRAWING IS UNPUBLISHED. RELEASED FOR PUBLICATION
 © COPYRIGHT 2011 BY TYCO ELECTRONICS CORPORATION. ALL RIGHTS RESERVED.

LOC		DIST		REVISIONS			
P	LTR	DESCRIPTION		DATE	DWN	APVD	
	C	REVISED (ECR-14-014356), ADD STD OFF		24NOV14	SC	HL	

NOTES:

- MATERIAL:
 HOUSING: PBT WITH 30% GF, UL 94V-0, BLACK COLOR.
 CONTACTS: PHOSPHOR BRONZE.
 SHIELD: PHOSPHOR BRONZE.
- FINISH:
 CONTACTS: GOLD FLASH OVER
 0.762µm [30µ"] MIN. PALLADIUM-NICKEL PLATED ON CONTACT AREA,
 2.54µm [100µ"] MIN. MATTE-TIN ON SOLDER TAIL, WITH
 ENTIRE CONTACT UNDERPLATED 1.27µm [50µ"] MIN. NICKEL.
 SHIELD: 0.762µm [30µ"] MIN. NICKEL PLATED, WITH
 2.54µm [100µ"] MIN. Cu UNDERPLATED OVERALL.
- WAVE SOLDER CAPABLE TO 265°C PER TE TEST SPEC.
 109-202, CONDITION B.



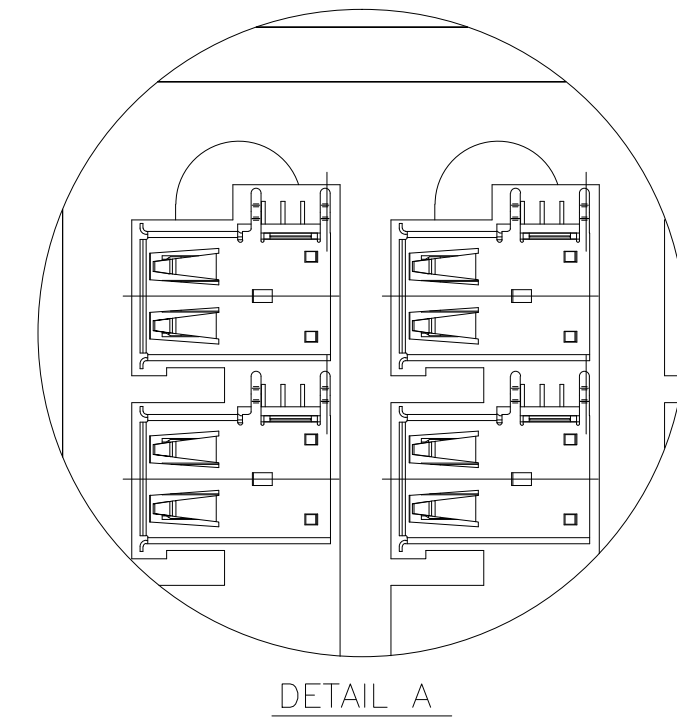
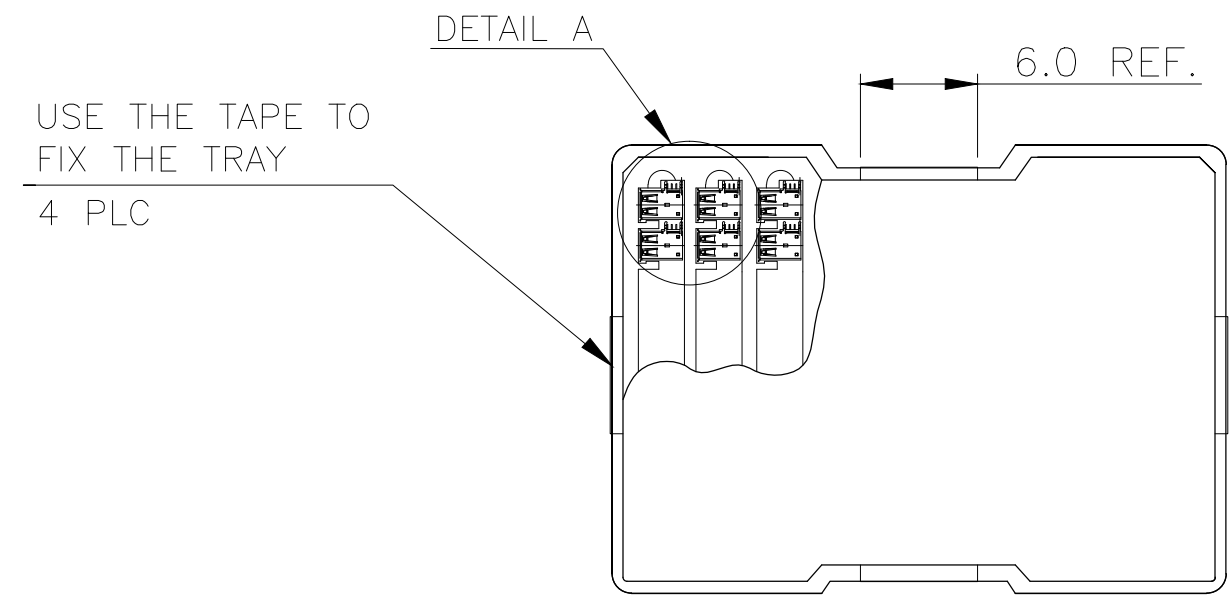
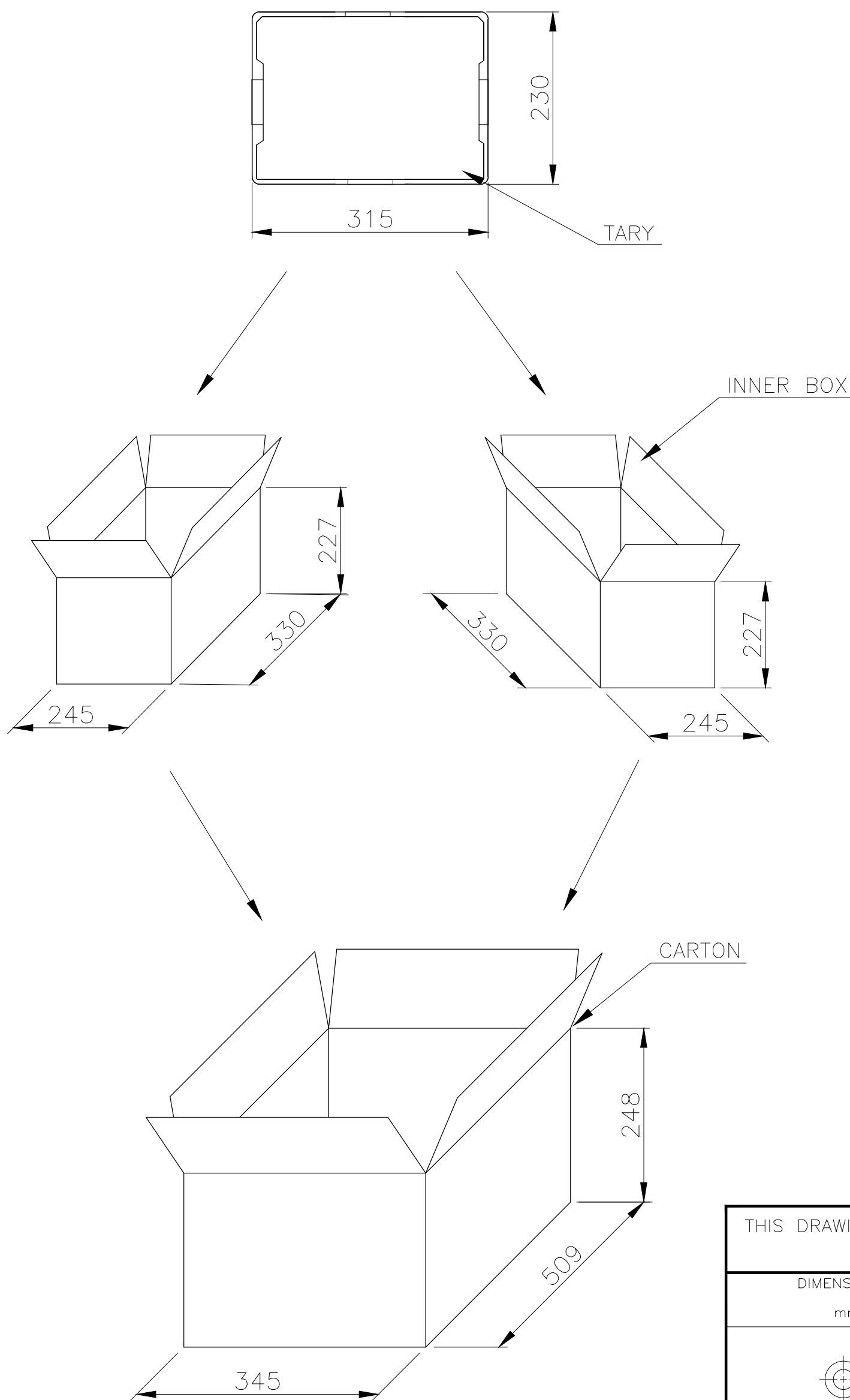
3.30	1-1734775-1
2.45	1734775-1
DIM A	PART NUMBER

THIS DRAWING IS A CONTROLLED DOCUMENT.		DWN O. HU 22MAY2007	STE TE Connectivity	
DIMENSIONS: mm		CHK S. HOU 22MAY2007		
TOLERANCES UNLESS OTHERWISE SPECIFIED:		APVD W.J. KE 22MAY2007	NAME	
0 PLC ± 0.38 1 PLC ± 0.25 2 PLC ± 0.20 3 PLC ± - 4 PLC ± - ANGLES ± 3°		PRODUCT SPEC 108-57322	USB CONNECTOR, RECEPTACLE, FLAG, R/A, DIP, A TYPE	
MATERIAL SEE NOTE		FINISH SEE NOTE	APPLICATION SPEC	RESTRICTED TO
		WEIGHT 2.4 GRAMS	SIZE A3	CAGE CODE 00779
		CUSTOMER DRAWING	DRAWING NO C-1734775	SCALE -
			SHEET 1 OF 2	REV C

THIS DRAWING IS UNPUBLISHED. RELEASED FOR PUBLICATION
 © COPYRIGHT 2011 BY TYCO ELECTRONICS CORPORATION. ALL RIGHTS RESERVED.

LOC DW
 DIST

REVISIONS				
P	LTR	DESCRIPTION	DATE	APVD
		SEE SHEET 1.		



11.1 Kg	10.1 Kg	100	21	2	4200 PCS
GROSS WEIGHT	NET WEIGHT	PCS/TRAY	TRAYS /INNER BOX	INNER BOX /CARTON	QUANTITY

THIS DRAWING IS A CONTROLLED DOCUMENT.		DWN	TE Connectivity USB CONNECTOR, RECEPTACLE, FLAG, R/A, DIP, A TYPE		
DIMENSIONS: mm		CHK			
		APVD			
TOLERANCES UNLESS OTHERWISE SPECIFIED:		PRODUCT SPEC	NAME		
0 PLC ± -		APPLICATION SPEC	SIZE CAGE CODE DRAWING NO RESTRICTED TO		
1 PLC ± -		WEIGHT	A3 00779 C-1734775		
2 PLC ± -		CUSTOMER DRAWING	SCALE SHEET 2 OF 2 REV C		
3 PLC ± -					
4 PLC ± -					
ANGLES ± -					
FINISH					

单击下面可查看定价，库存，交付和生命周期等信息

[>>TE Connectivity\(泰科\)](#)