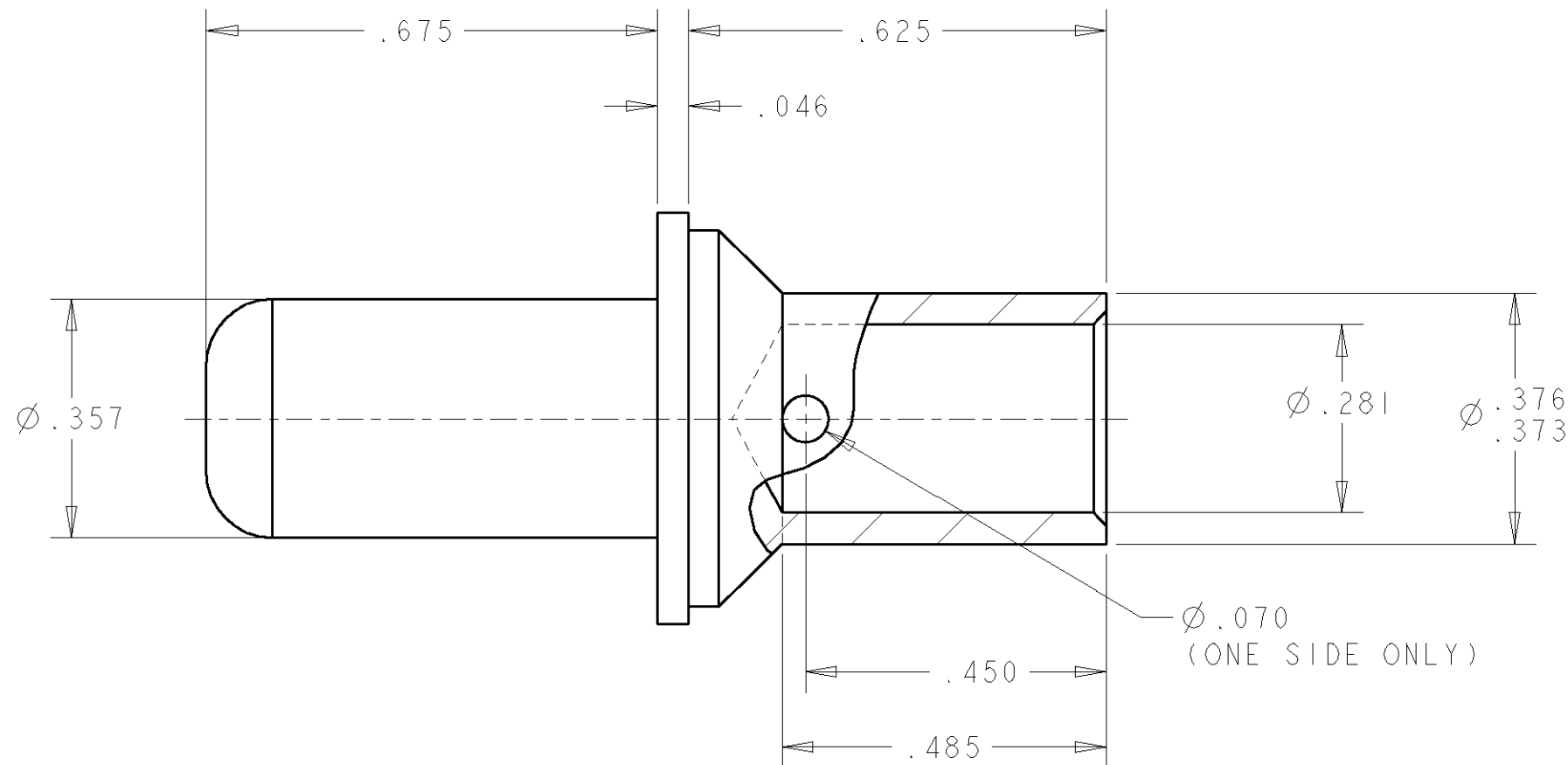
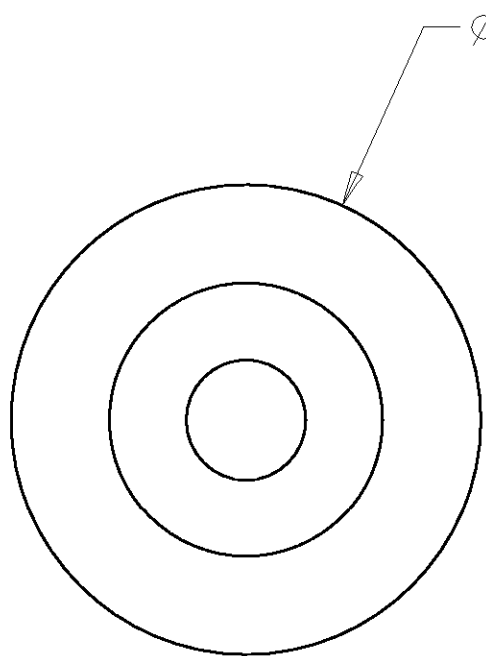


THIS DRAWING IS UNPUBLISHED. RELEASED FOR PUBLICATION 20  
 © COPYRIGHT 20 BY TYCO ELECTRONICS CORPORATION. ALL RIGHTS RESERVED.

LOC	DIST	REVISIONS			
P	LTR	DESCRIPTION	DATE	DWN	APVD
GP	00	A	RELEASED	05JUN2006	RG SF



- 1 MATERIAL: COPPER ALLOY
- 2 FINISH: SILVER PLATE .000200 MIN THK. OVER NICKEL .000040 MIN. THK.
- 3. PART NUMBER CHANGES AND OR DESIGN CHANGES AFFECTING THE INTERCHANGEABILITY REQUIRE PRIOR TYCO APPROVAL AND AUTHORIZATION BY REVISION TO THIS DRAWING.

AS SHOWN	1766271-1
DESCRIPTION	PART NUMBER

<small>THIS DRAWING IS A CONTROLLED DOCUMENT FOR TYCO ELECTRONICS CORPORATION. IT IS SUBJECT TO CHANGE AND THE CONTROLLING ENGINEERING ORGANIZATION SHOULD BE CONTACTED FOR THE LATEST REVISION.</small>		DWN 05JUN2006 R.GRZYBOWSKI CHK 05JUN2006 S.FLICKINGER APVD 05JUN2006 S.FLICKINGER	<b>tyco</b> <b>Electronics</b> Tyco Electronics Harrisburg, PA 17105-3608
DIMENSIONS: INCHES 	TOLERANCES UNLESS OTHERWISE SPECIFIED: 0 PLC ±- 1 PLC ±- 2 PLC ±.01 3 PLC ±.005 4 PLC ±- ANGLES ±-	PRODUCT SPEC - APPLICATION SPEC - WEIGHT -	NAME CONTACT, PIN, SIZE #0 WITH #4 CRIMP BARREL SIZE A3 CAGE CODE 00779 DRAWING NO C-1766271 RESTRICTED TO -
MATERIAL 1 	FINISH 2 	CUSTOMER DRAWING	SCALE 4:1 SHEET 1 OF 1 REV A

**ELCON DRAWER**

单击下面可查看定价，库存，交付和生命周期等信息

[>>TE Connectivity\(泰科\)](#)