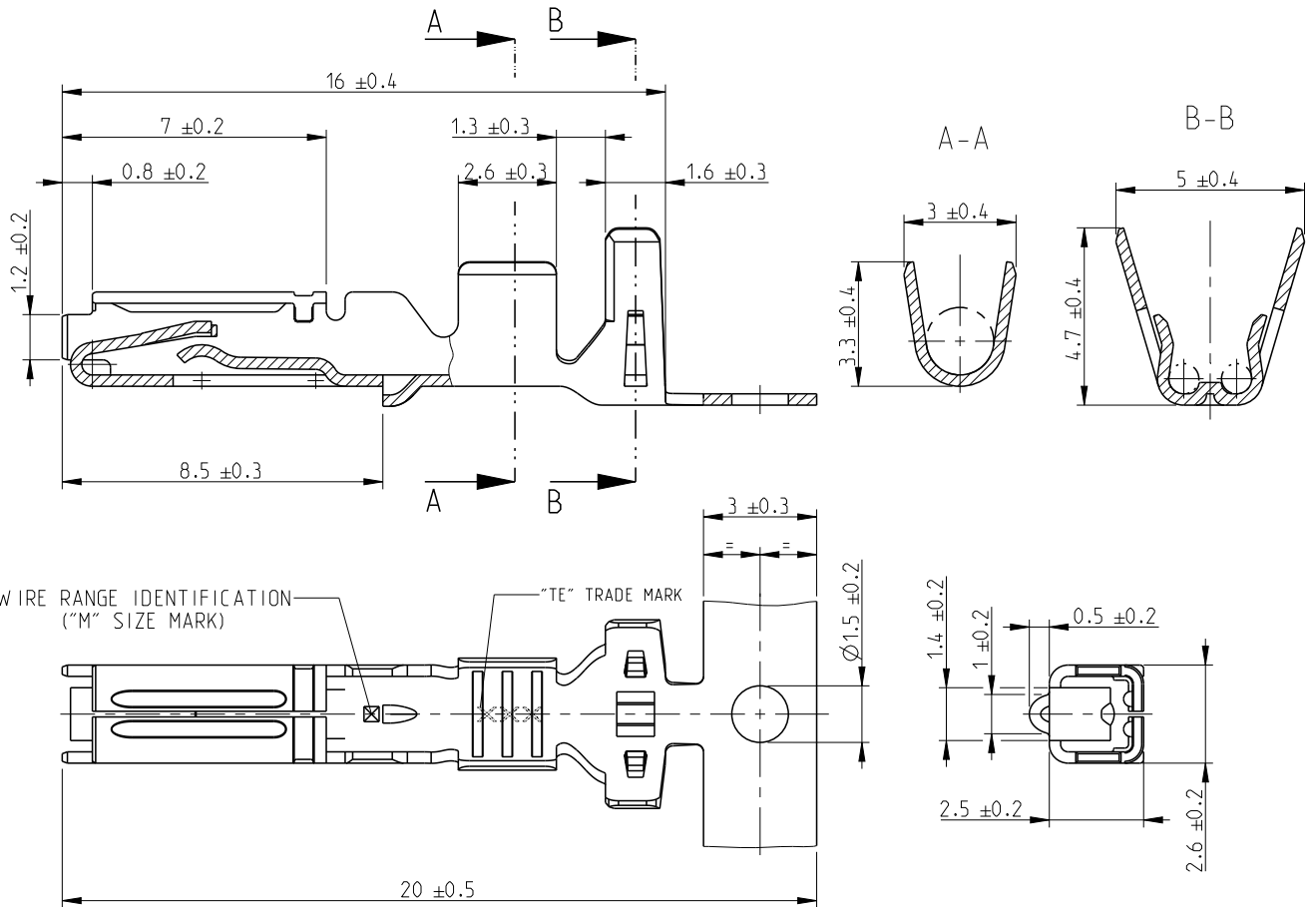


REVISIONS					
P	LTR	DESCRIPTION	DATE	DWN	APVD
	A2	Redrawn to Creo	07MAR2017	JJH	JP



1. DELIVERY STATE: ITEM IS SUPPLIED REELED ON CARTON REEL WITH STRIP PITCH = 11.9 ± 0.2 mm
 STATO DI FORNITURA: AVVOLTI SU BOBINA CON PASSO TRA TERMINALI DI = 11.9 ± 0.2 mm

CUSTOMER DRAWING FOR INFORMATION ONLY
 DISEGNO PER CLIENTE SOLO PER RIFERIMENTO

A2

INS. DIA. RANGE (DIAM. ISOLANTE)	WIRE RANGE (RANGO FILO)
$\phi 2.1 - 2.4$ mm	$0.75 - 1.5$ mm ²

PRE-TIN (PRE-STAGNATO)	BRASS (OTTONE)	282375-1
FINISH/COLOUR (FINITURE/COLORE)	MATERIAL (MATERIALE)	PART NUMBER

DIMENSIONS: mm	DWN R. MARTINI	03JUN1993	MATERIAL	-	FINISH	-									
	CHK C. TARTARI	04JUN1993	TE Connectivity												
TOLERANCES UNLESS OTHERWISE SPECIFIED:	APVD	-													
<table border="1" style="font-size: small;"> <tr><td>6 PLC</td><td>\pm</td></tr> <tr><td>1 PLC</td><td>\pm</td></tr> <tr><td>2 PLC</td><td>\pm</td></tr> <tr><td>3 PLC</td><td>\pm</td></tr> <tr><td>4 PLC</td><td>\pm</td></tr> </table> ±0.3	6 PLC	\pm	1 PLC	\pm	2 PLC	\pm	3 PLC	\pm	4 PLC	\pm	PRODUCT SPEC	108-20159	NAME MULTILOCK .070 SRS REC. CONTACT FOR NEW GENERATION CONNECTOR		
	6 PLC	\pm													
1 PLC	\pm														
2 PLC	\pm														
3 PLC	\pm														
4 PLC	\pm														
ANGLES ±2°	APPLICATION SPEC	114-20056	SIZE	A 4	CAGE CODE	-									
	WEIGHT	-	DRAWING NO	C=282375		RESTRICTED TO	-								
	CUSTOMER DRAWING			SCALE	5:1	SHEET	1 OF 1								
					REV	A2									

单击下面可查看定价，库存，交付和生命周期等信息

[>>TE Connectivity\(泰科\)](#)