

THIS DRAWING IS UNPUBLISHED.

RELEASED FOR PUBLICATION OCT ,2005.

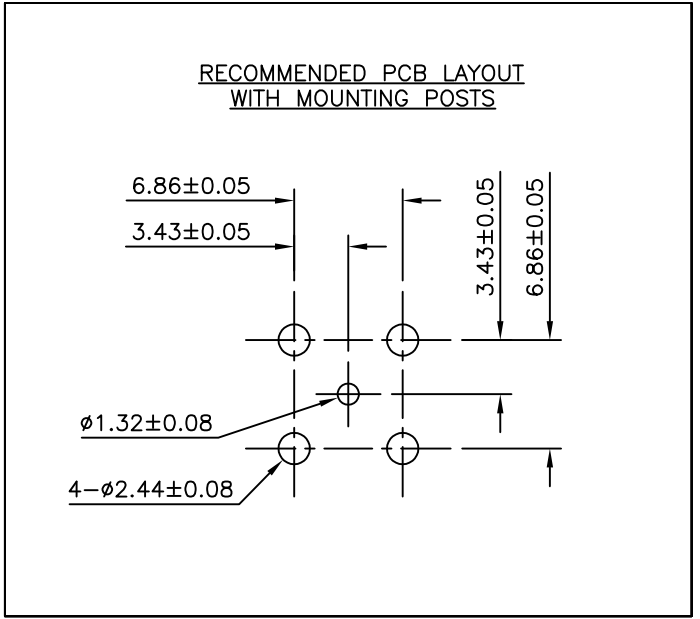
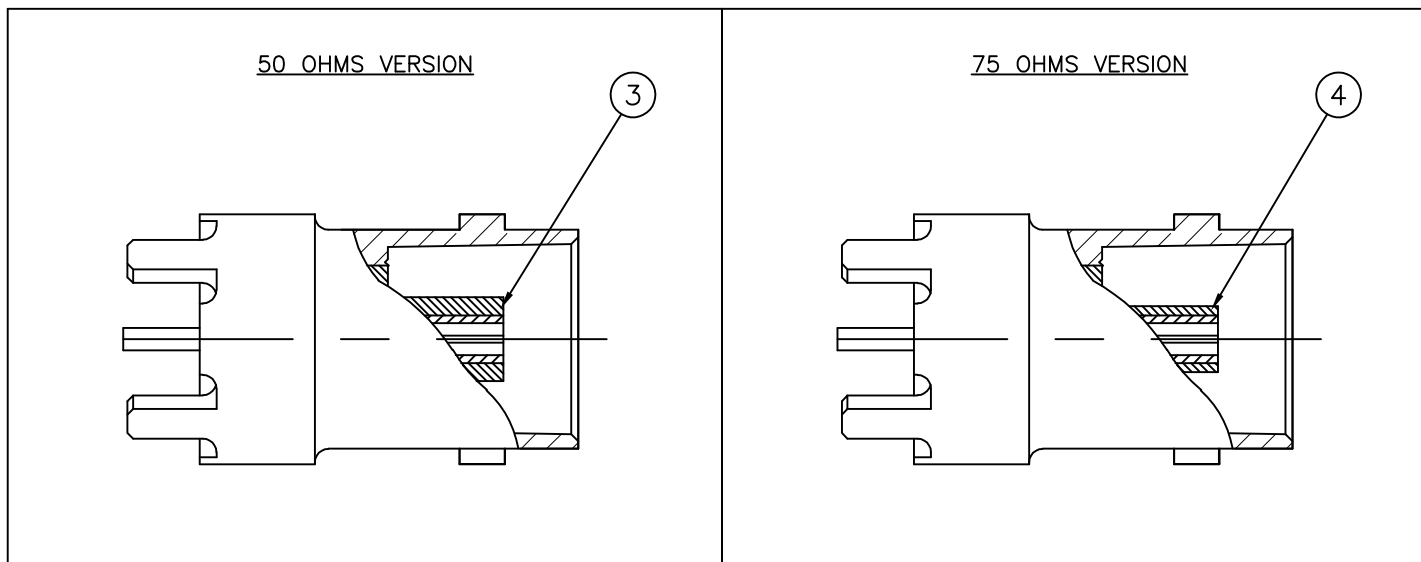
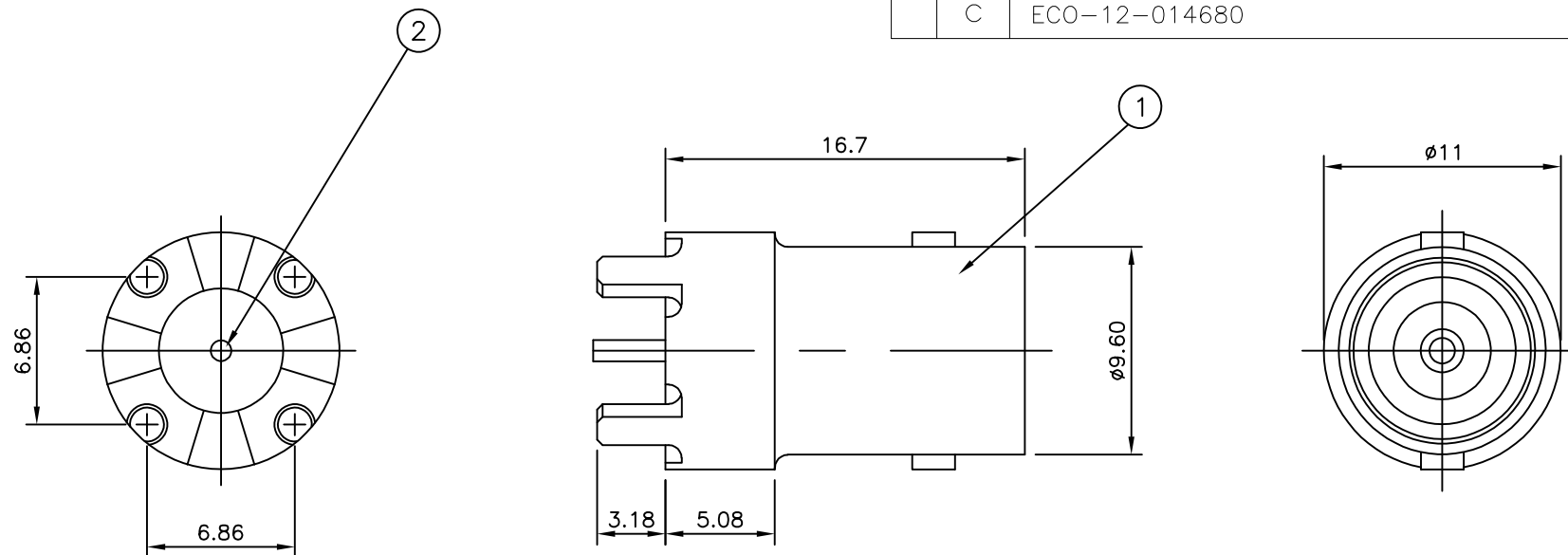
© COPYRIGHT 2005 By -

ALL RIGHTS RESERVED.

LOC	DIST	REVISIONS			
P	LTR	DESCRIPTION	DATE	DWN	APVD
E	B	B1	REVISED PER ECO-11-005033	31MAR11	RK HMR
		C	ECO-12-014680	20Aug2012	TITAN MARTIN

NOTES

- ① 100 TRAY PACK IN ACCORDANCE WITH AMP SPEC 107-3275
- ② SINGLE PACK IN ACCORDANCE WITH AMP SPEC 107-3275
- ③ Au PLATING
- ④ Ni PLATING



QUANTITY PER ASSY		PARTS LIST	
1	1	-	-
-	-	1	1
1	1	1	1
1	1	1	1
5--3	5--2	5--1	5--0
①	②	③	④
TPX	INSULATOR	TPX	INSULATOR
PHOS BRONZE	③ CONTACT	ZINC ALLOY	④ BODY
MATERIAL	DESCRIPTION	ITEM	

THIS DRAWING IS A CONTROLLED DOCUMENT.

DWN RITA ZUO 11 Mar 09
 CHK ANSON MA 11 Mar 09
 APVD BOB ZHAO 11 Mar 09

STE TE Connectivity

NAME: BNC STRAIGHT PCB SOCKET

PRODUCT SPEC: 108-112000

APPLICATION SPEC: -

SIZE: A3 CAGE CODE: 00779 DRAWING NO: C-1634506 RESTRICTED TO: -

WEIGHT: -

CUSTOMER DRAWING SCALE: NTS SHEET: 1 OF 1 REV: C

DIMENSIONS:	TOLERANCES UNLESS OTHERWISE SPECIFIED:
mm	
0 PLC	± 0.5
1 PLC	± 0.3
2 PLC	± 0.2
3 PLC	± -
4 PLC	± -
ANGLES	± -
MATERIAL	FINISH
-	-

单击下面可查看定价，库存，交付和生命周期等信息

[>>TE Connectivity\(泰科\)](#)