

THIS DRAWING IS UNPUBLISHED.

RELEASED FOR PUBLICATION

20

LOC F DIST 00

REVISIONS

© COPYRIGHT 20 BY - ALL RIGHTS RESERVED.

P	LTR	DESCRIPTION	DATE	DWN	APVD
F		NEW P/N 336587-2 (SILVER PLATED VERSION)	20NOV2013	NT.N	JL
G		ADDED THE FORCE VALUES OF P/N 336587-2	14MAY2014	NT.N	JL
H		INSERT. AND EXTRACT. FORCES CHANGED	05FEB2015	NT.N	JL
J		UPDATED TE LOGO WITH 2 ALTERN. MARKINGS	07APR2015	NT.N	JL

ALL DIMENSIONS MEASURED WITH A GAUGE REF. 1.6±0.02(THK) AND 3.0±0.02

1. FOR P.C. BOARD 1.6mm THK.

CUTOUT 3.0±0.1x7.0±0.1mm

DELIVERING: IN REEL STRIP VERSION

STRIP FEED: 6.0±0.08

MATERIAL: PHOSPH BZ ACCORDING TO UNS C51100

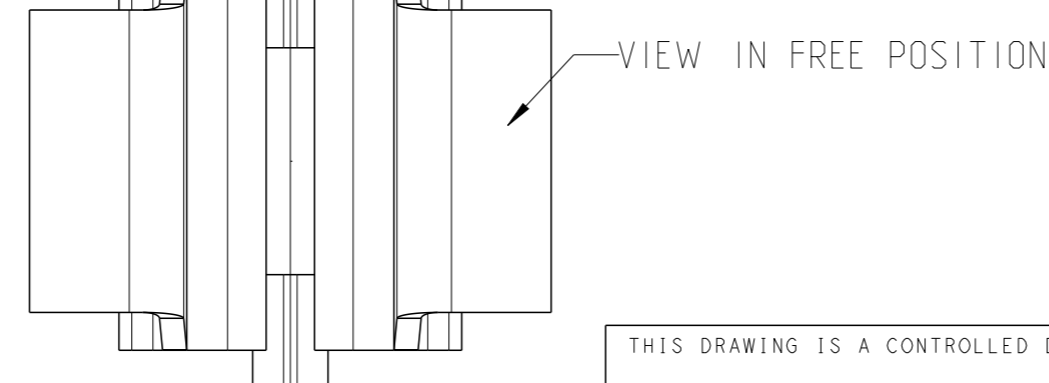
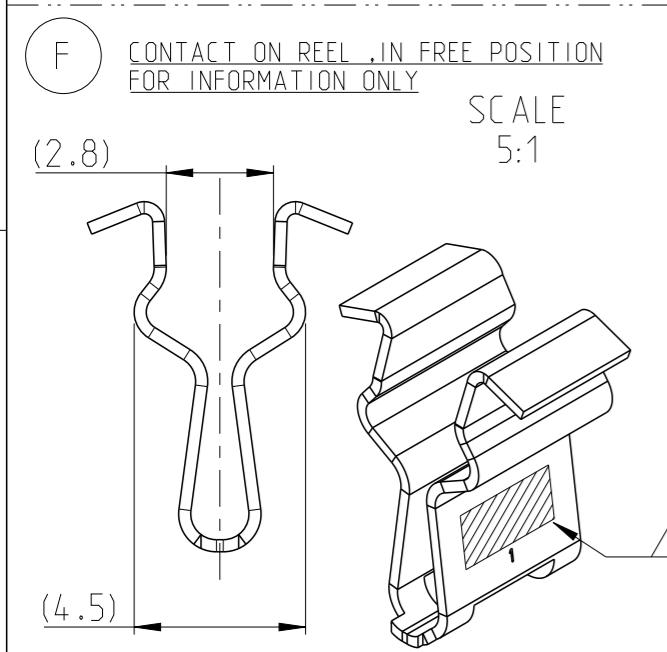
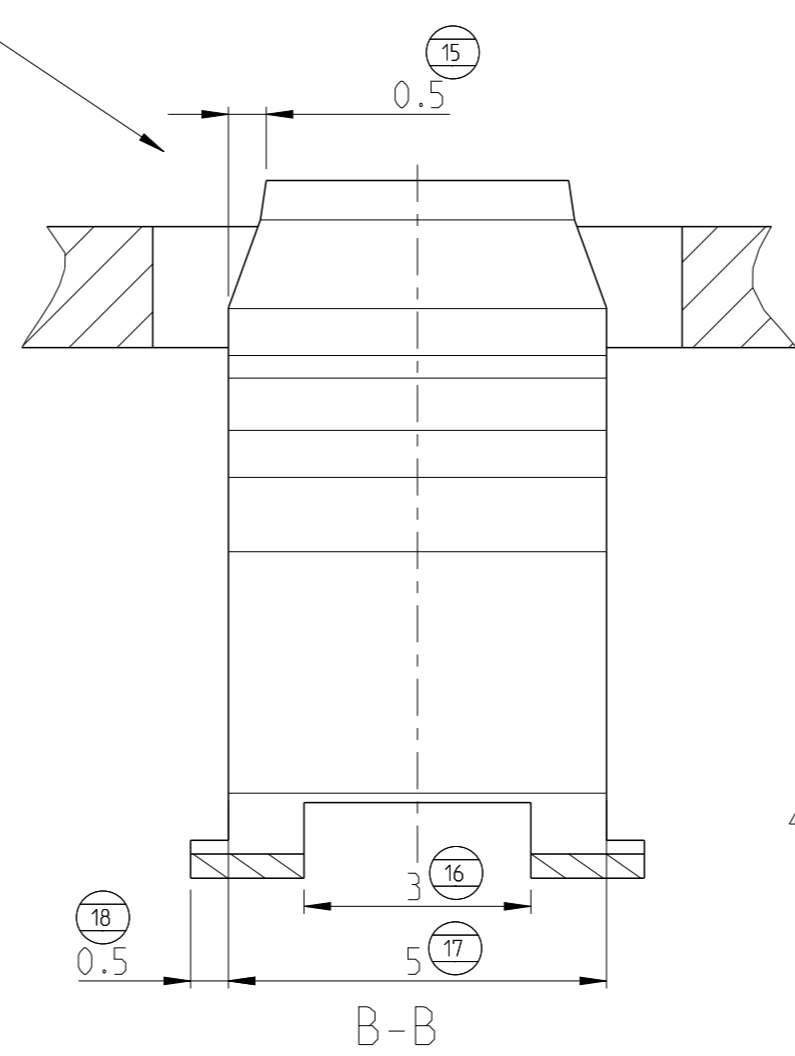
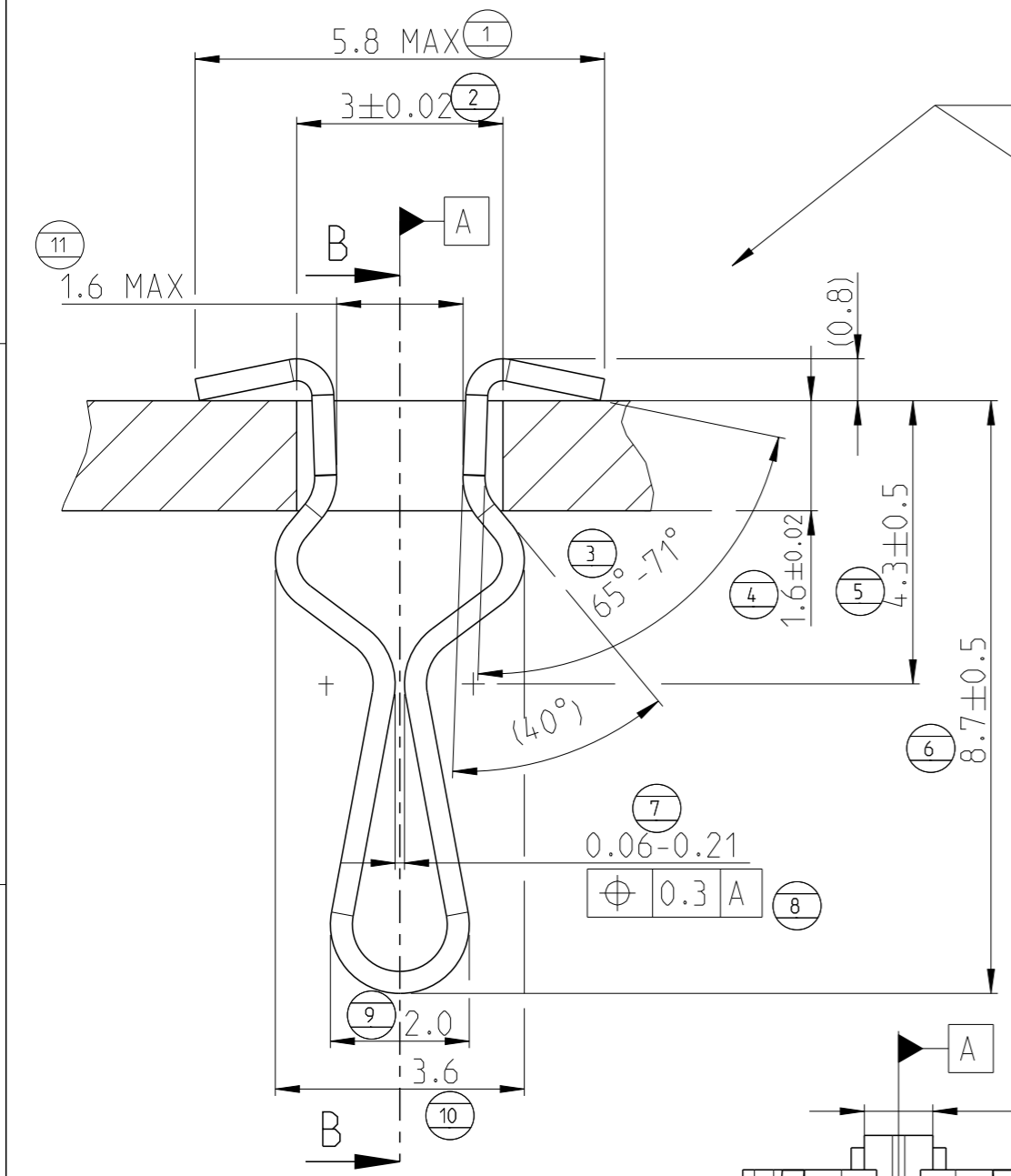
TEMPER: H04

MATERIAL: THK 0.32±0.02

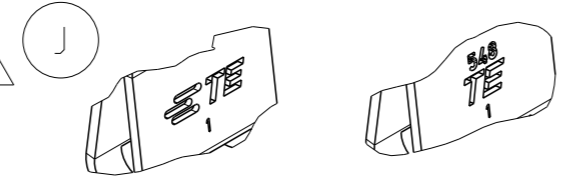
USE STEEL GAUGE 965850-1

PART NUMBER	FIRST INSERTION	FIRST EXTRACTION
336587-1 (PRE TIN PLATED)	MIN.16 N	MIN.3 N
	MAX.32 N	MAX. 13 N (H)
336587-2 (PRE SILVER PLATED)	MIN.20 N (H)	MIN.11 N
	MAX.35 N	MAX.20 N

TE LOGO IN THIS AREA WITH 2 ALTERNATIVE MARKINGS



TE LOGO WITH 2 ALTERNATIVE MARKINGS



F	PRE-SILVER PLATED 2 - 4µm OVER 1 - 2µm NICKEL	PHOSPHOR BRONZE	336587-2
F	PRE-TIN PLATED 1 - 3µm	PHOSPHOR BRONZE	336587-1
	FINISH	MATERIAL	PART NUMBER

DIMENSIONS:		TOLERANCES UNLESS OTHERWISE SPECIFIED:	
mm			
	0 PLC	±	
	1 PLC	±0.3	
	2 PLC	±	
	3 PLC	±	
	4 PLC	±	
	ANGLES	±1°	
	MATERIAL	-	
	FINISH	-	

DWN	20FEB2001
CHK	F.J.CARBONELL
APVD	J.LAZARO
PRODUCT SPEC	-
APPLICATION SPEC	-
WEIGHT	-

<b>STE</b> TE Connectivity			
NAME TERMINAL RECEPT. PARA C.IMPRESO 1.6mm TERMINAL RECEPT FOR P.C.B 1.6mm			
SIZE	CAGE CODE	DRAWING NO	RESTRICTED TO
A3	00779	C=336587	-
Customer Drawing		SCALE 3:1	SHEET 1 OF 1 REV J

单击下面可查看定价，库存，交付和生命周期等信息

[>>TE Connectivity\(泰科\)](#)